

DETAILS

Product Number	CA11353_LAURA-RS
Family	Laura
Type	Assembly
Color	black
Diameter	21,6 x 21,6 mm
Height	13,1 mm
Style	square
Optic Material	PMMA
Holder Material	
Fastening	tape
Status	production ready
ROHS Compliant	Yes
Date Updated	10/12/2015

OPTICAL PROPERTIES

LED	Viewing	Light	Effi-	cd/lm	Connector
	Angle	Beam	ciency		
XP-E	8 deg	Real spot	93 %	41.800	-
XP-G	10 deg	Real spot	93 %	18.600	-
XP-G2	10 deg	Real spot	93 %	22.700	-
H35C1 (LEMWA33)	12 deg	Real spot	89 %	19.700	-
Z5	sim: 8	Real spot	-	-	-



D

C

B

A

4

4

3

3

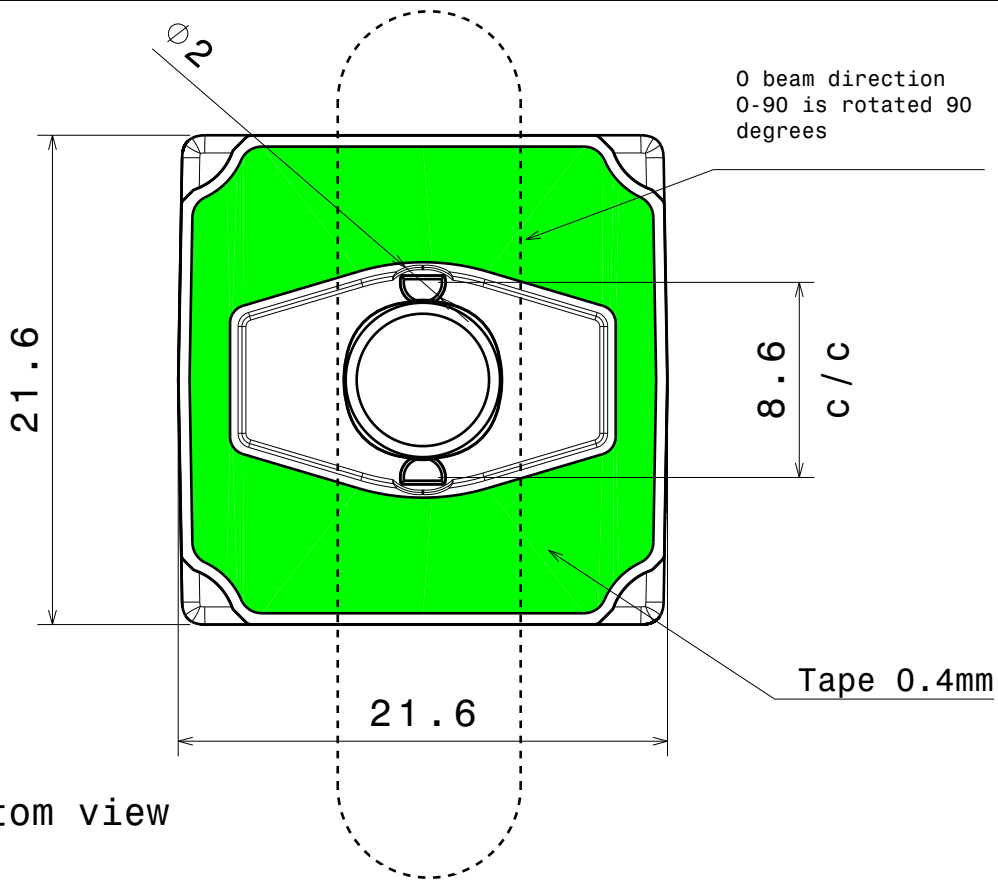
2

2

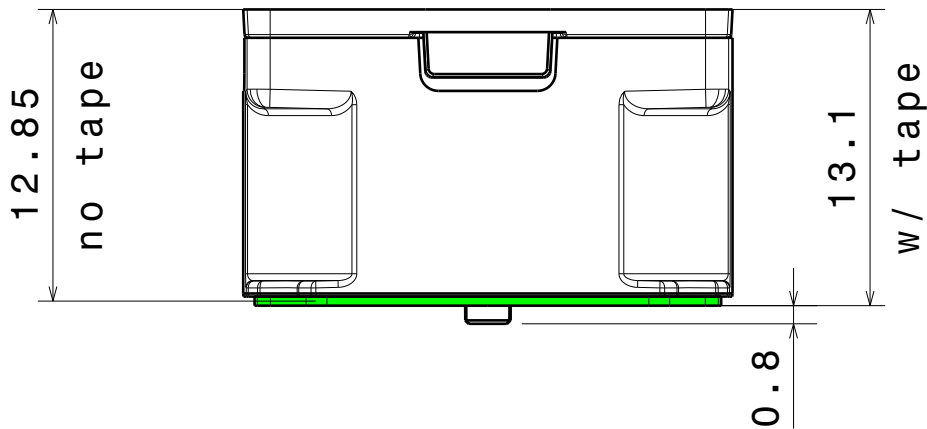
1

1

Bottom view



Front view



Note: Pinless versions also available

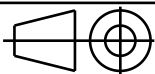
INDEX	DESCRIPTION	MATERIAL	COLOUR
1	LAURA-lens	PMMA	
2	LAURA-XP holder	PC	white/black

Tolerances if not otherwise shown
According to DIN ISO 2768-1
Linear measures:
up to 30mm class M, otherwise class C
According to DIN ISO 2768-2
Form and position: class L

LEDiL

Ledil Oy
Salorankatu 10
FIN 24240 SALO
Finland

THIRD ANGLE PROJECTION:



DRAWING TITLE

Laura-XP family datasheet

This drawing is the property of LEDiL Oy. It may not be reproduced, copied or communicated without a written agreement with LEDiL Oy.

SIZE PART NUMBER

A4

-

SCALE 1:1 WEIGHT

-

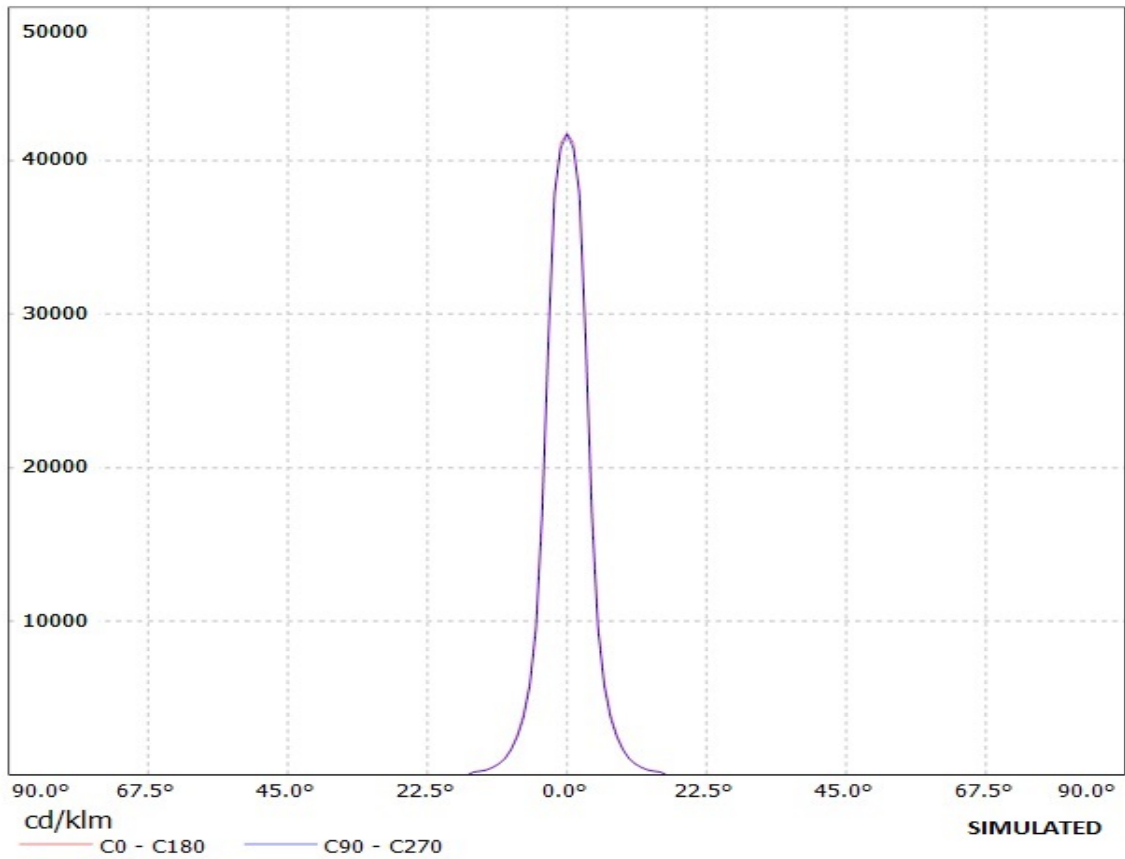
SHEET 1/1

D

A

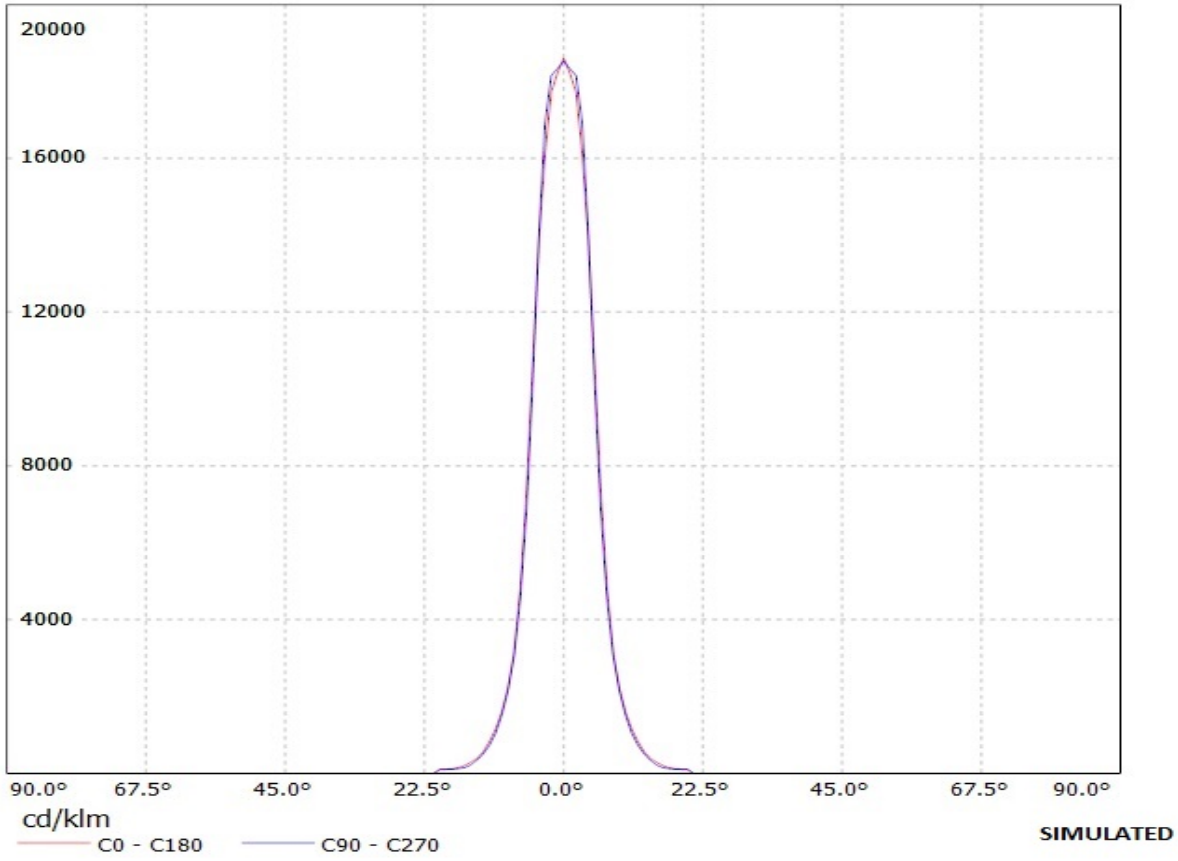
Ledil Oy CA11353_Laura-RS-XP-tape CA11353_Laura-RS-XP-tape / LDC (Linear)

Luminaire: Ledil Oy CA11353_Laura-RS-XP-tape CA11353_Laura-RS-XP-tape
Lamps: 1 x Cree XP-E (White)



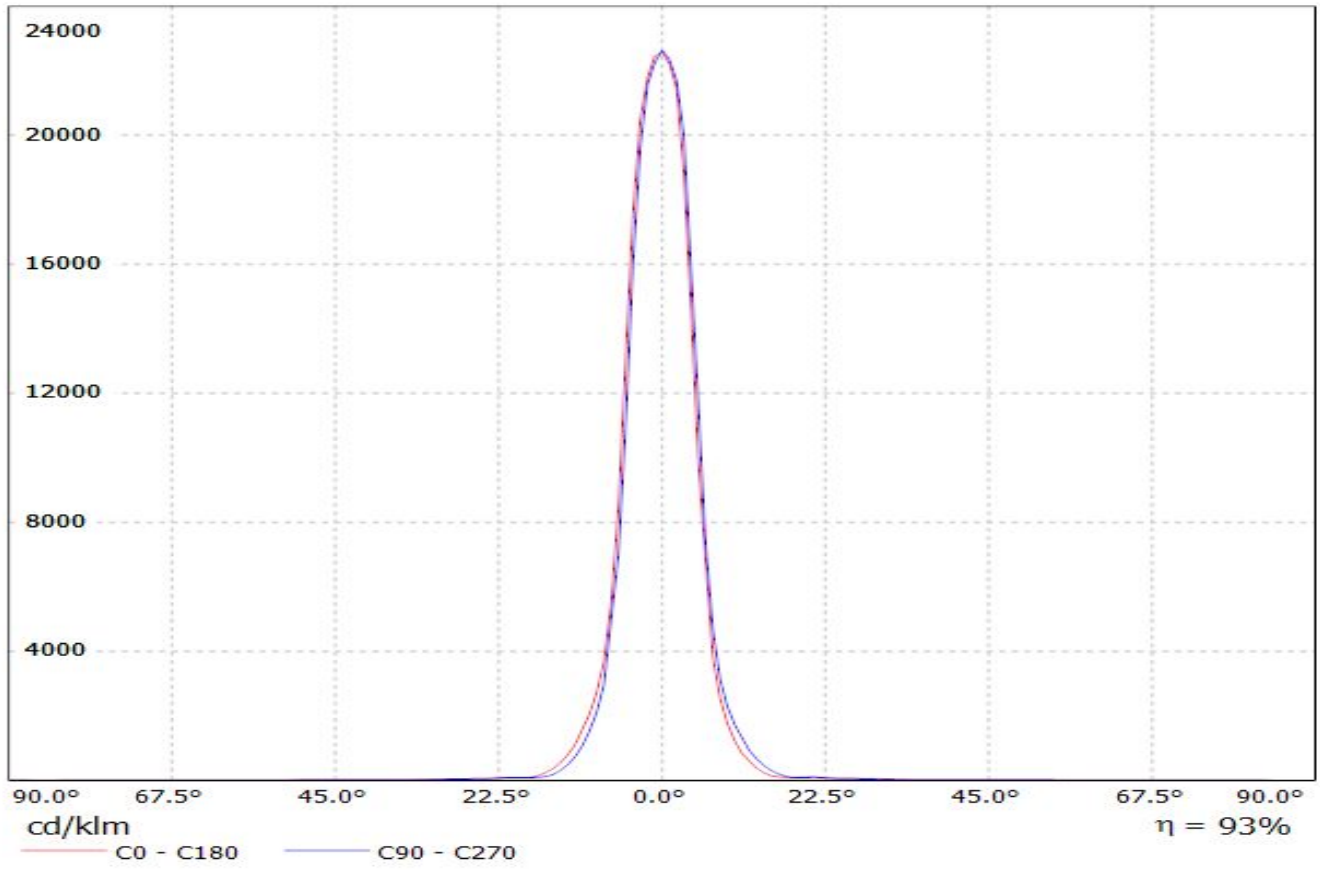
Ledil Oy CA11353_Laura-RS-XP-G-tape CA11353_Laura-RS-XP-G-tape / LDC (Linear)

Luminaire: Ledil Oy CA11353_Laura-RS-XP-G-tape CA11353_Laura-RS-XP-G-tape
Lamps: 1 x Cree XP-G (White)

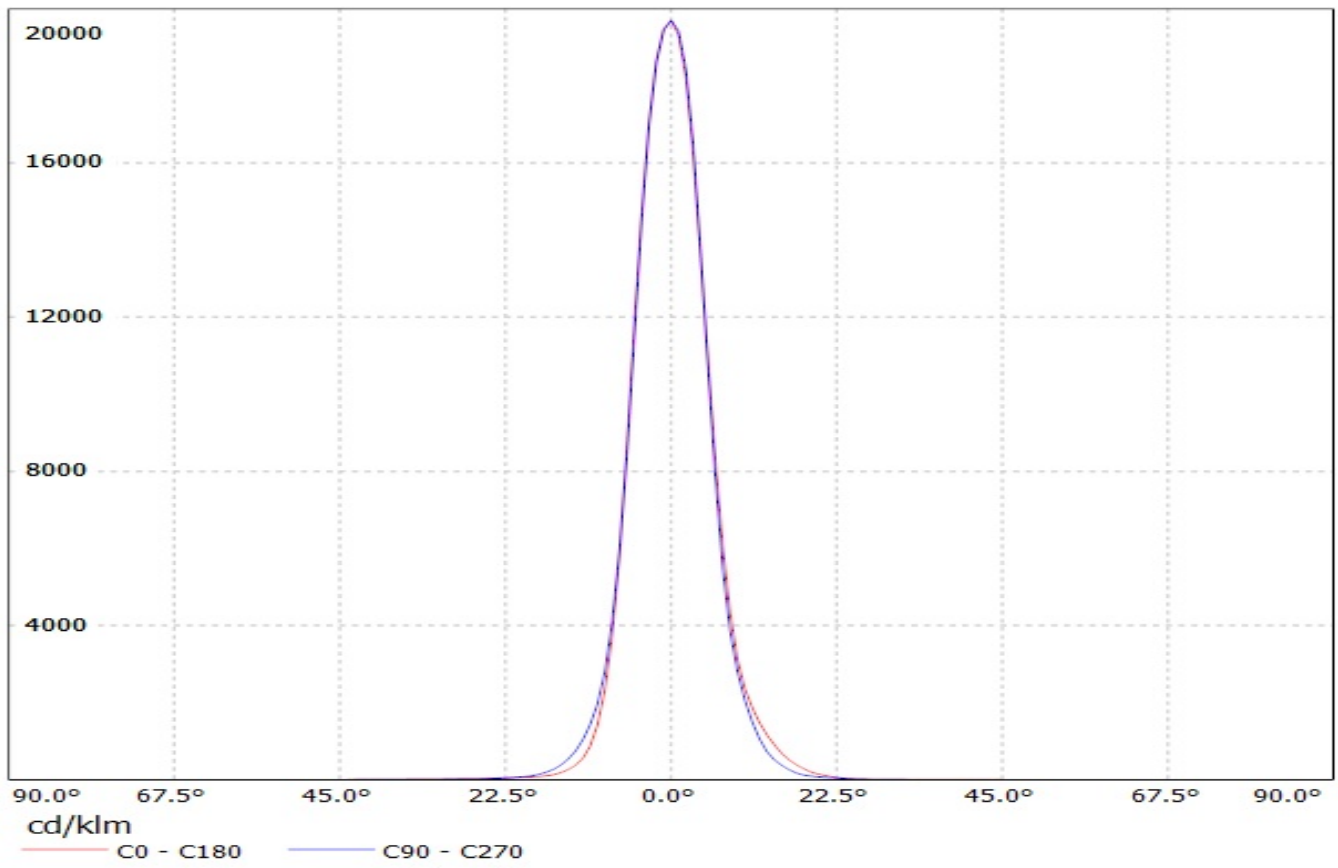


Luminaire: LEDiL Oy CA11353_LAURA-RS_(XP-G2)

Lamps: 1 x Cree XP-G2 XPGBWT-L1-0000-00FE34 102lm@250mA CCT:5000K



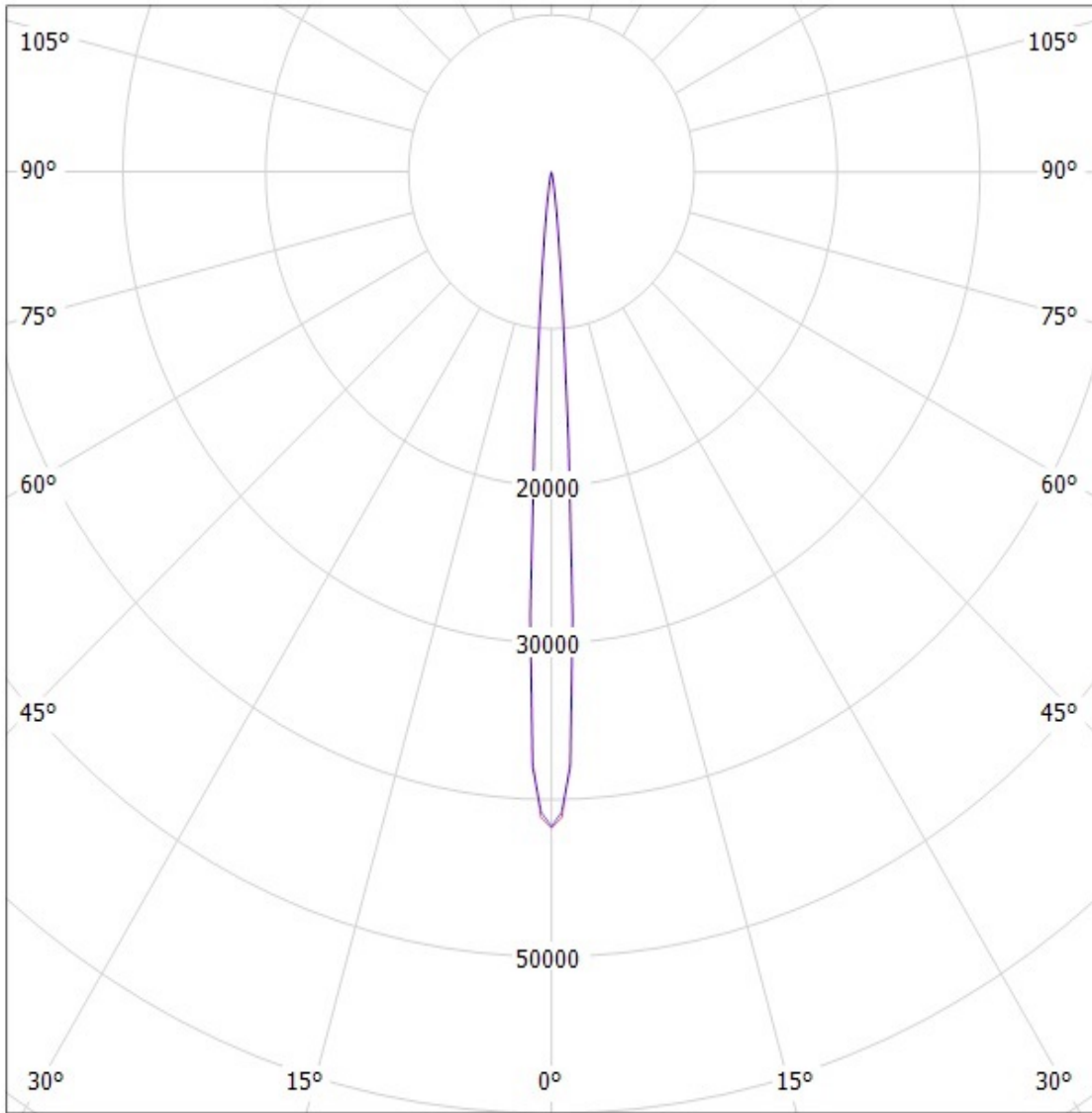
Luminaire: Ledil Oy CA11353_LAURA-RS_(3535_Ceramic_gen2) Efficiency=89%
Lamps: 1 x LG 3535 Ceramic gen2 (PKG5700K) 116lm @ 250mA CCT=6200K P=0.7W I=250mA



Ledil Oy CA11353_Laura-RS-XP-tape CA11353_Laura-RS-XP-tape / LDC (Polar)

Luminaire: Ledil Oy CA11353_Laura-RS-XP-tape CA11353_Laura-RS-XP-tape

Lamps: 1 x Cree XP-E (White)



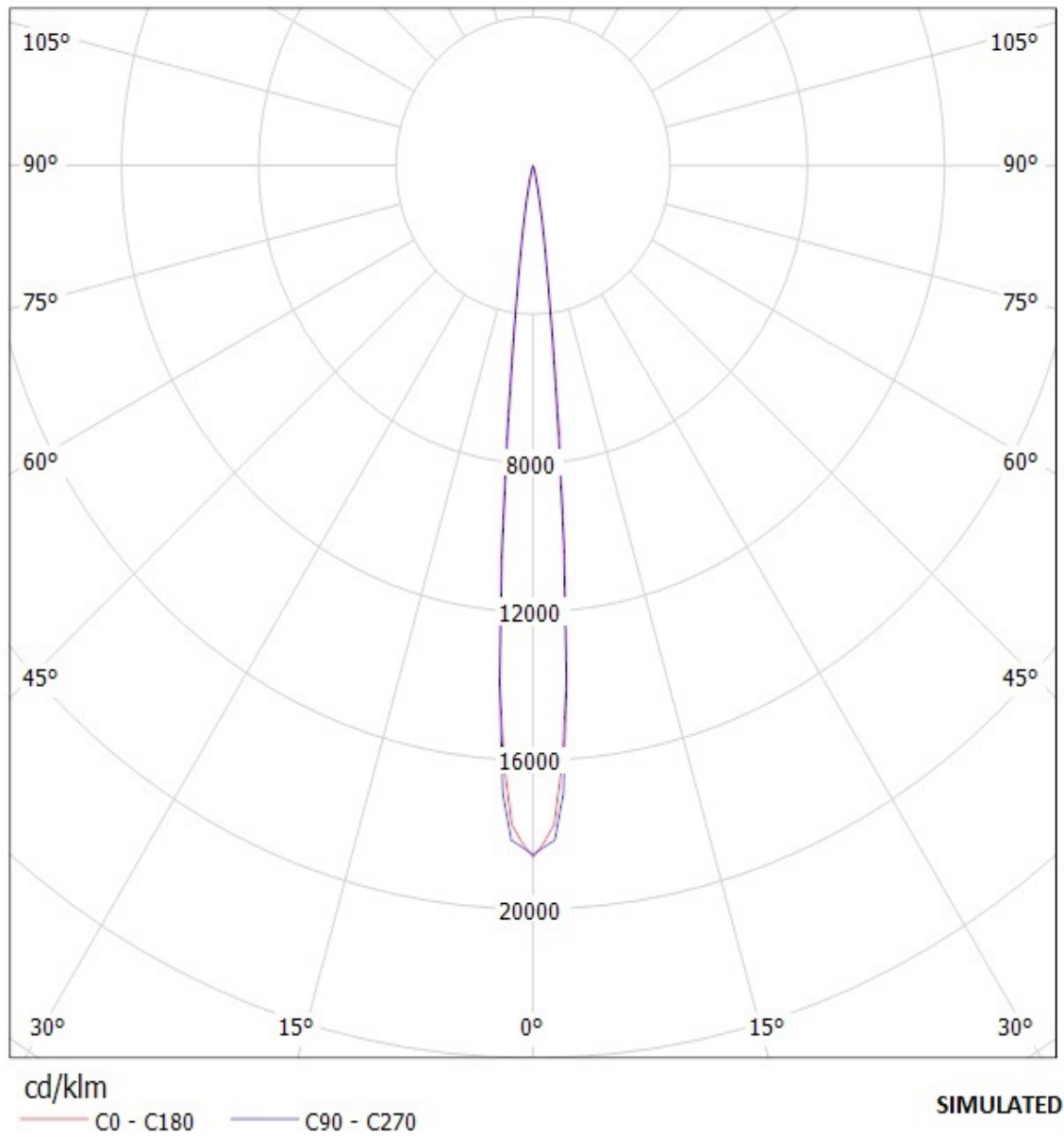
cd/klm

— C0 - C180 — C90 - C270

SIMULATED

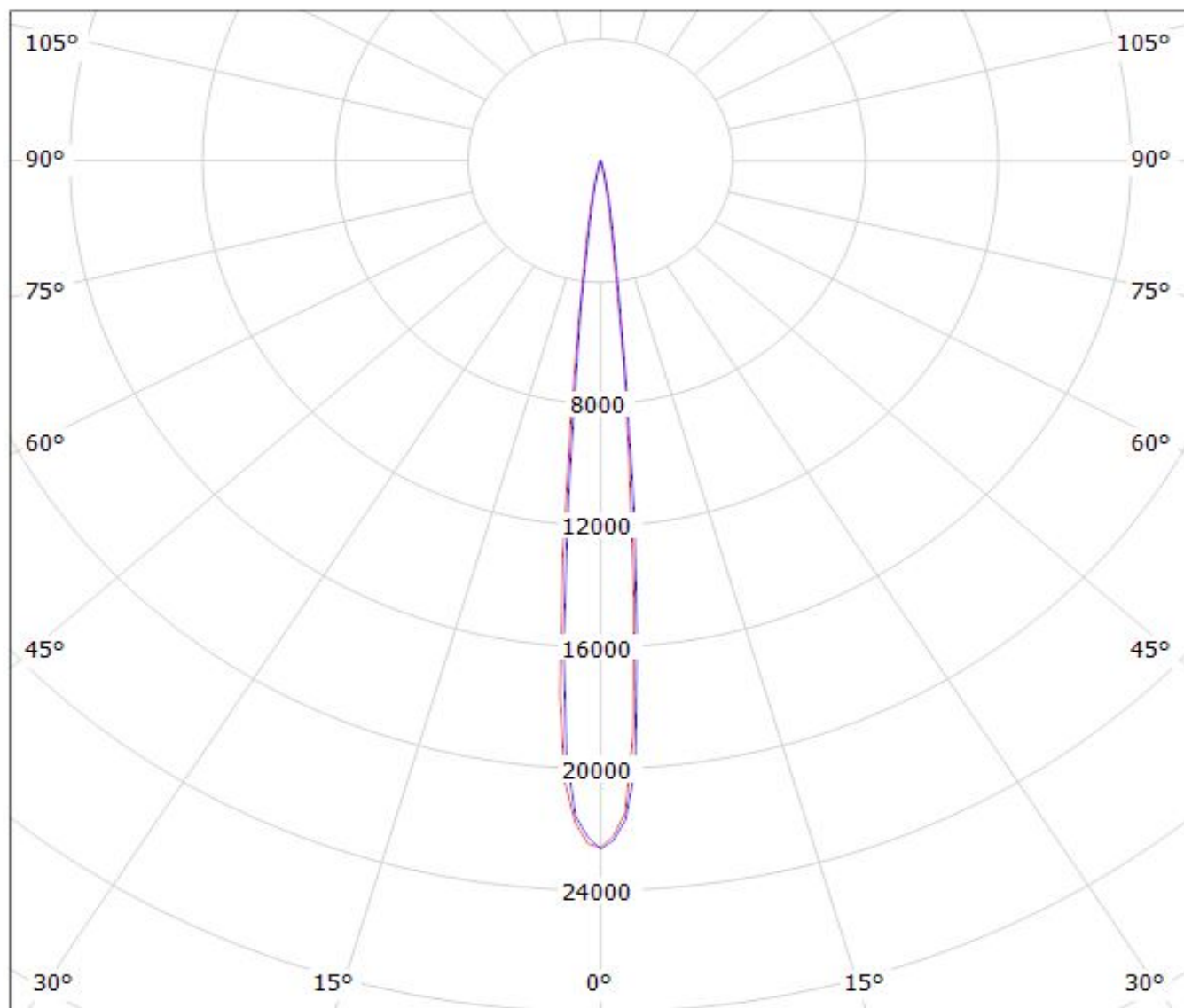
Ledil Oy CA11353_Laura-RS-XP-G-tape CA11353_Laura-RS-XP-G-tape / LDC (Polar)

Luminaire: Ledil Oy CA11353_Laura-RS-XP-G-tape CA11353_Laura-RS-XP-G-tape
Lamps: 1 x Cree XP-G (White)



Luminaire: LEDiL Oy CA11353_LAURA-RS_(XP-G2)

Lamps: 1 x Cree XP-G2 XPGBWT-L1-0000-00FE34 102lm@250mA CCT:5000K



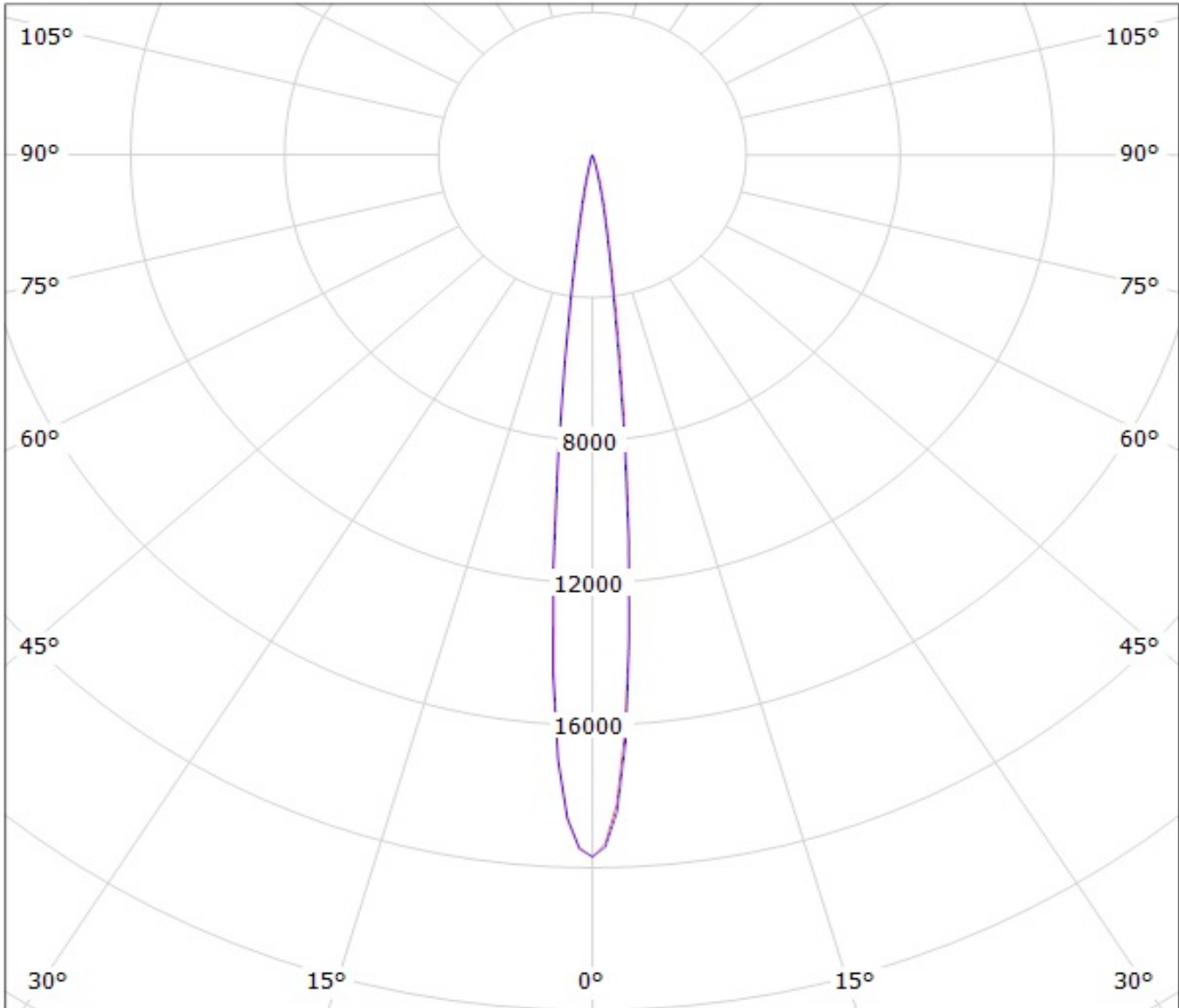
cd/klm

— C0 - C180

— C90 - C270

$\eta = 93\%$

Luminaire: Ledil Oy CA11353_LAURA-RS_(3535_Ceramic_gen2) Efficiency=89%
Lamps: 1 x LG 3535 Ceramic gen2 (PKG5700K) 116lm @ 250mA CCT=6200K P=0.7W I=250mA



cd/klm

— C0 - C180 — C90 - C270

NOTE: The typical divergence will be changed by different color, chip size and chip position tolerance. The typical total divergence is the full angle measured where the luminous intensity is half of the peak value.