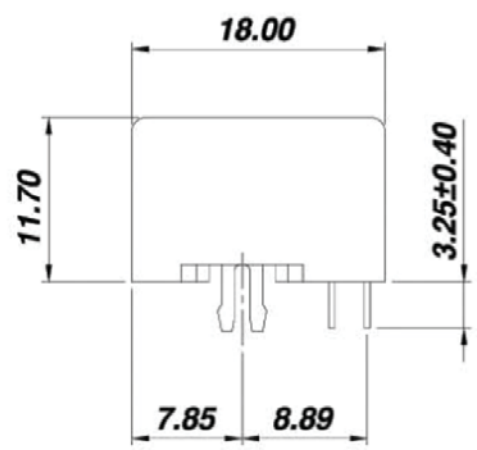
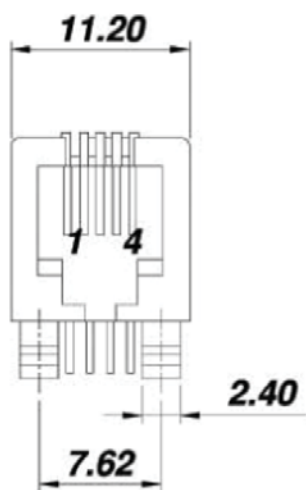


A  
B  
C  
D  
E  
F  
G  
H

A  
B  
C  
D  
E  
F  
G  
H

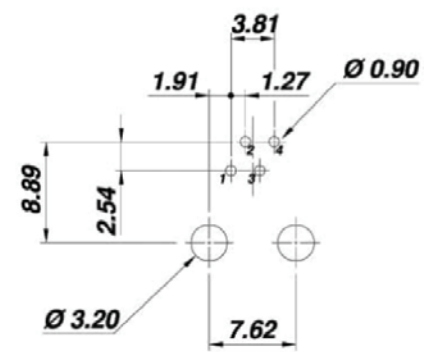


**Materials:**

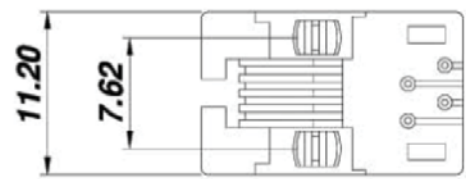
- Insulator: P.B.T. Glass Filled, UL94V-0  
- Soldering Temperature: 235°C
- Spring Wire: 0.45MM Dia. Phosphor Bronze  
Gold Plating over Nickel
- Color: Black

**Electrical:**

- Insulation Resistance: 500MΩ Min.
- Contact Resistance: 20MΩ Max.
- Rating Current: 1.5A Max.
- Rating Voltage: 120V AC
- Dielectric Withstanding: 1,000V AC at 1 Minute
- Operating Temperature: -40°C ~ +85°C
- Durability: 500 Mating cycles Min.



**PCB LAYOUT**  
(Top View)



Scale	1:1						Name	Item No.
TOLERANCE						Drawn	12.20.11	<b>A-2004-3-4-LP-N</b>
X.X	±0.40					Approved		
X.XX	±0.25							<b>Title</b> Modular Jack, Low Profile, 4P4C, 90°, Side Entry, 6µ", Black, PBT Glass Filled
X.XXX	±0.15							Drawing No.
Angle	±3°							<b>rev00</b>
								Replace
								Sheet

