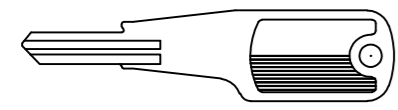


THIS DRAWING IS UNPUBLISHED. RELEASED FOR PUBLICATION
 © COPYRIGHT BY TYCO ELECTRONICS CORPORATION. ALL RIGHTS RESERVED.

LOC	DIST	REVISIONS					
		P	LTR	DESCRIPTION	DATE	DWN	APVD
HM	00		A	RLSD PER ECO-10-005369	16MAR2010	LH	BM
			B	REV ECO-10-015964	03AUG2010	LH	BM



2 KEYS (456A)
INCLUDED

LOCK ASSEMBLY,
QUANTITY 1

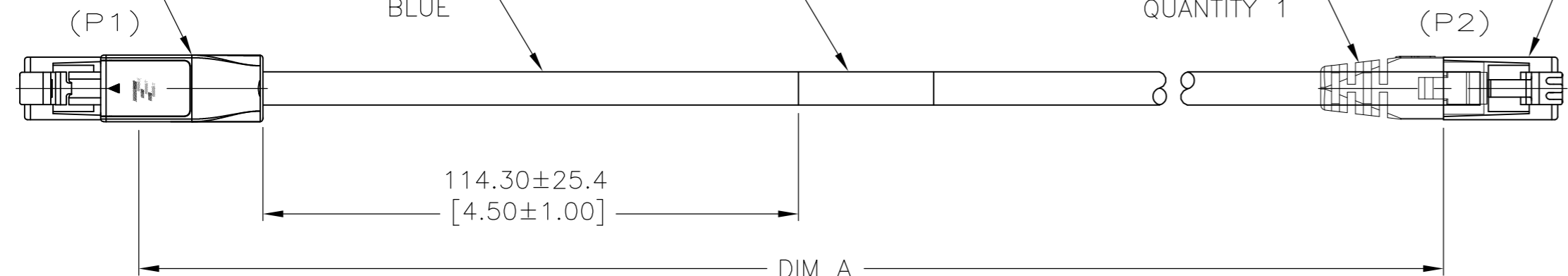
3 CABLE
BLUE

LABEL

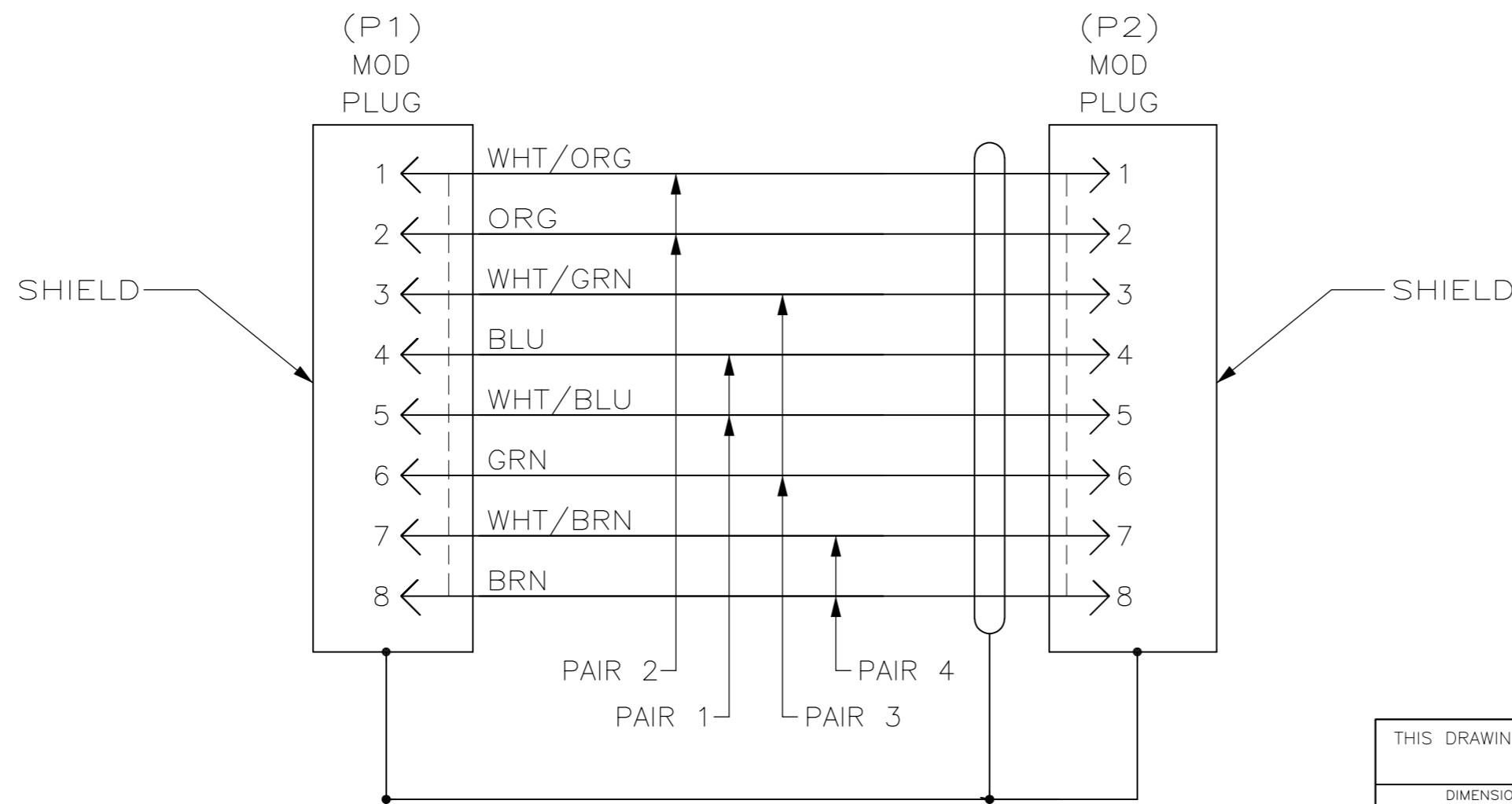
BOOT, CLEAR
QUANTITY 1

SHIELDED
MODULAR PLUG
8 POSITION
QUANTITY 1

TERMINAL 1



- ONE CABLE PACKAGED IN A POLY BAG.
- DIMENSIONS ARE MAXIMUM UNLESS OTHERWISE SPECIFIED.
- CABLE: SHIELDED XG SYSTEMS, 100 OHMS CAT6A.
- DESIGNATIONS IN PARENTHESES () ARE FOR REFERENCE ONLY.



WIRING DIAGRAM
568B

6.1	20	6197.6 (244.00)	2-2111236-0
5.49	18	5588.0 (220.00)	1-2111236-8
4.88	16	4978.4 (196.00)	1-2111236-6
4.27	14	4368.8 (172.00)	1-2111236-4
3.66	12	3759.2 (148.00)	1-2111236-2
3.05	10	3149.6 (124.00)	1-2111236-0
2.74	9	2794.0 (110.00)	2111236-9
2.44	8	2489.2 (98.00)	2111236-8
2.14	7	2184.4 (86.00)	2111236-7
1.83	6	1879.6 (74.00)	2111236-6
1.53	5	1574.8 (62.00)	2111236-5
1.22	4	1270.0 (50.00)	2111236-4
0.92	3	965.2 (38.00)	2111236-3
0.61	2	660.4 (26.00)	2111236-2
0.30	1	355.6 (14.00)	2111236-1
METERS, REF	FEET, REF	DIM A	PART NO

THIS DRAWING IS A CONTROLLED DOCUMENT.

DWN	L. HALL	15MAR2010	Tyco Electronics Corporation Harrisburg, PA 17105-3608
CHK	B. MCNEILL	16MAR2010	
APVD	B. MCNEILL	16MAR2010	
PRODUCT SPEC	NAME		
APPLICATION SPEC			CABLE ASSEMBLY, CAT 6A, SECURITY KEY, MOD PLUG LOCK- MOD PLUG, BLUE
MATERIAL			SIZE
FINISH			CAGE CODE
WEIGHT			DRAWING NO
CUSTOMER DRAWING			RESTRICTED TO
SCALE			1 of 1
SHEET			REV