

A

B

C

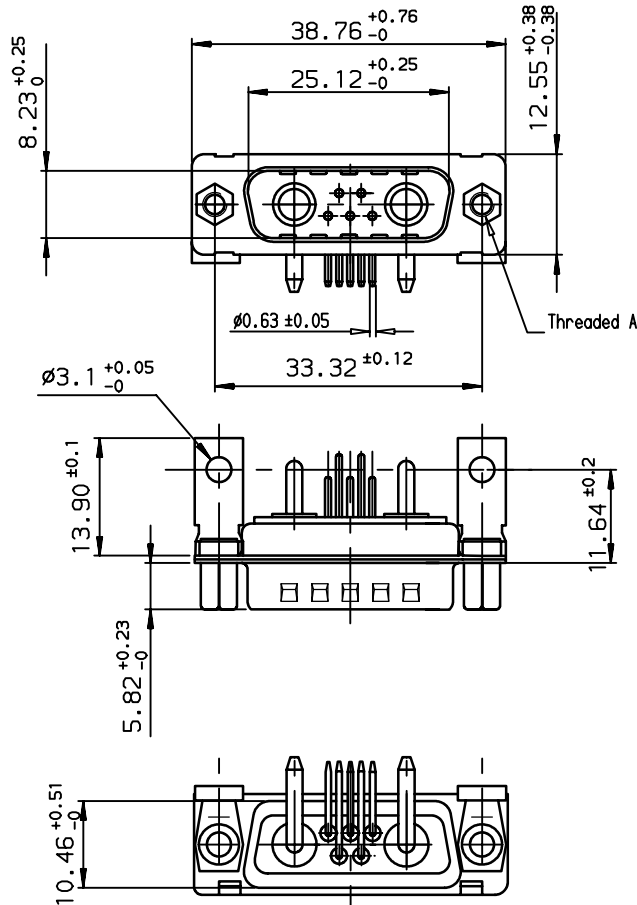
D

A

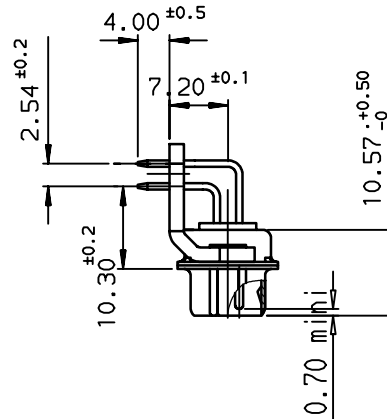
B

C

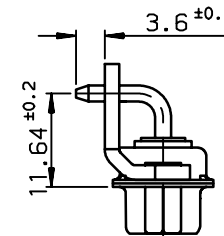
D



VIEW WITHOUT POWERS CONTACTS



VIEW WITH POWERS CONTACTS



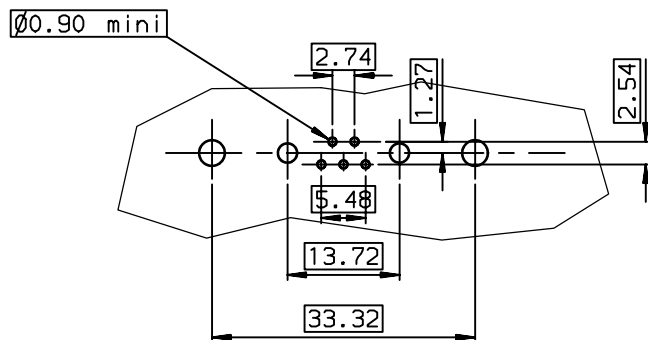
TIN LEAD PART NUMBER

DAV7W2P543M30	UNC 4.40
DAI7W2P543M30	M3
DAV7W2P500M30	UNC 4.40
DAI7W2P500M30	M3
PART NUMBER	Threaded A

LEAD FREE PART NUMBER

DAV7W2P543M30LF	UNC 4.40
DAI7W2P543M30LF	M3
DAV7W2P500M30LF	UNC 4.40
DAI7W2P500M30LF	M3
PART NUMBER	Threaded A

LAYOUT DIMENSIONS (after plating)  
CONNECTOR SIDE VIEW



GENERAL CHARACTERISTICS AND ROHS INFORMATIONS:  
SEE DRAWING C01-8639-0001

European Views

www.fciconnect.com		surface ISO 1302 ✓	tolerance std ISO 406 ISO 1101	projection mm	size A3	Scale 1.5
TOLERANCES UNLESS OTHERWISE SPECIFIED				0.X ±0.1	ECN L506-0095	
Dr	JARRY	2001/01/05	ANGULAR	0.XX ±0.1	Spec ref -	
Eng	PESSON	2001/01/05	LINEAR	0.XXX ±0.1		
Chr	LEGARE	2001/01/05	0.XX' ±2'			
Appr	LEGARE	2001/01/05	Product family	D-SUB		
Title PIN CONNECTOR RIGHT ANGLED WITH POWERS CONTACTS .			dwg no C01-8639-1800		Rev. D	
catalog no			CUSTOMER		sheet 1 of 1	

rev	ecn no	dr	date
B	-	DEB	2003/10/01
C	L505-001	MPE	2005/03/09
D	L506-0095	LGO	2005/03/27
-	-	-	-
-	-	-	-
-	-	-	-



Copyright FCI.