

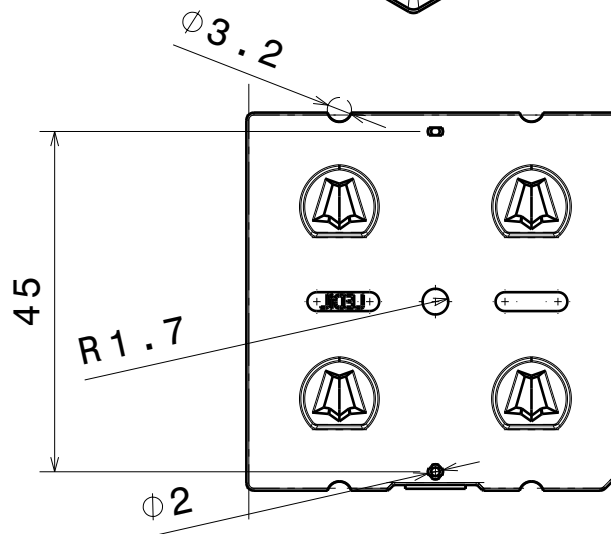
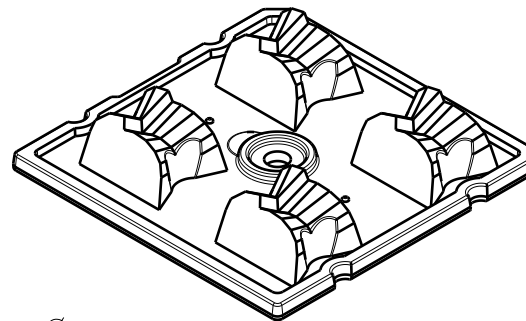
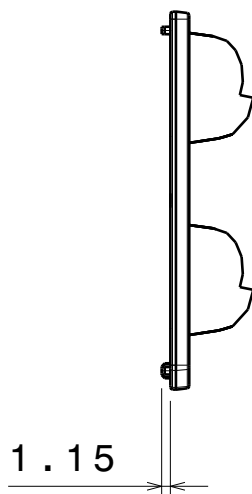
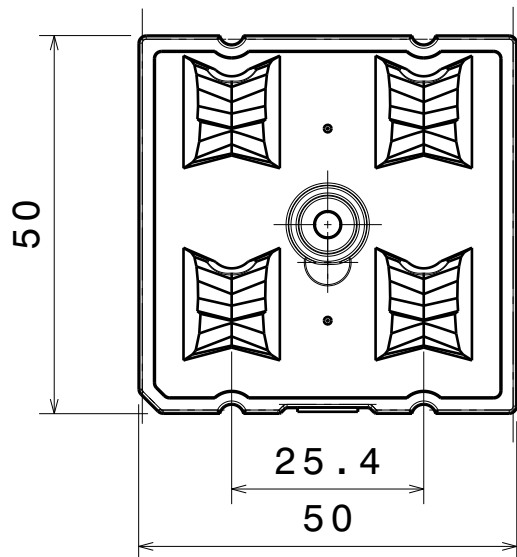
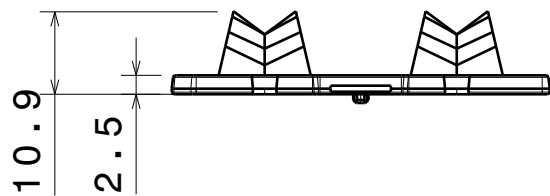
DETAILS

Product Number	C12219_STRADA-A2
Family	Strada
Type	Lens
Color	clear
Diameter	19,6 +15,4 mm
Height	10,5 mm
Style	rectang
Optic Material	PMMA
Holder Material	
Fastening	glue, screw, pin
Status	production ready
ROHS Compliant	Yes
Date Updated	7/03/2014



OPTICAL PROPERTIES

LED	Viewing Angle	Light Beam	Efficiency	cd/lm	Connector
XP-E	68+ 136 deg	Streetligh...	92 %	1.100	-
XP-G	72+144 deg	Streetligh...	92 %	0.850	-
LUXEON A	74+ 144 deg	Streetligh...	92 %	-	-
LUXEON Rebel ES	82+135 deg	Streetligh...	94 %	1.100	-
LUXEON R	82+137 deg	Streetligh...	94 %	1.100	-
Z5	78+ 136 deg	Streetligh...	-	-	-



INDEX	PART NO	DESCRIPTION	MATERIAL	COLOUR
1	C15687	STRADA-FW	PMMA 8N	

Tolerances if not otherwise shown
 According to DIN ISO 2768-1
 Linear measures:
 Up to 30mm class M, otherwise class C.
 According to DIN ISO 2768-2
 Form and position: class L

LEDiL

Ledil Oy
 Salorankatu 10
 FIN 24240 SALO
 Finland

THIRD ANGLE PROJECTION:

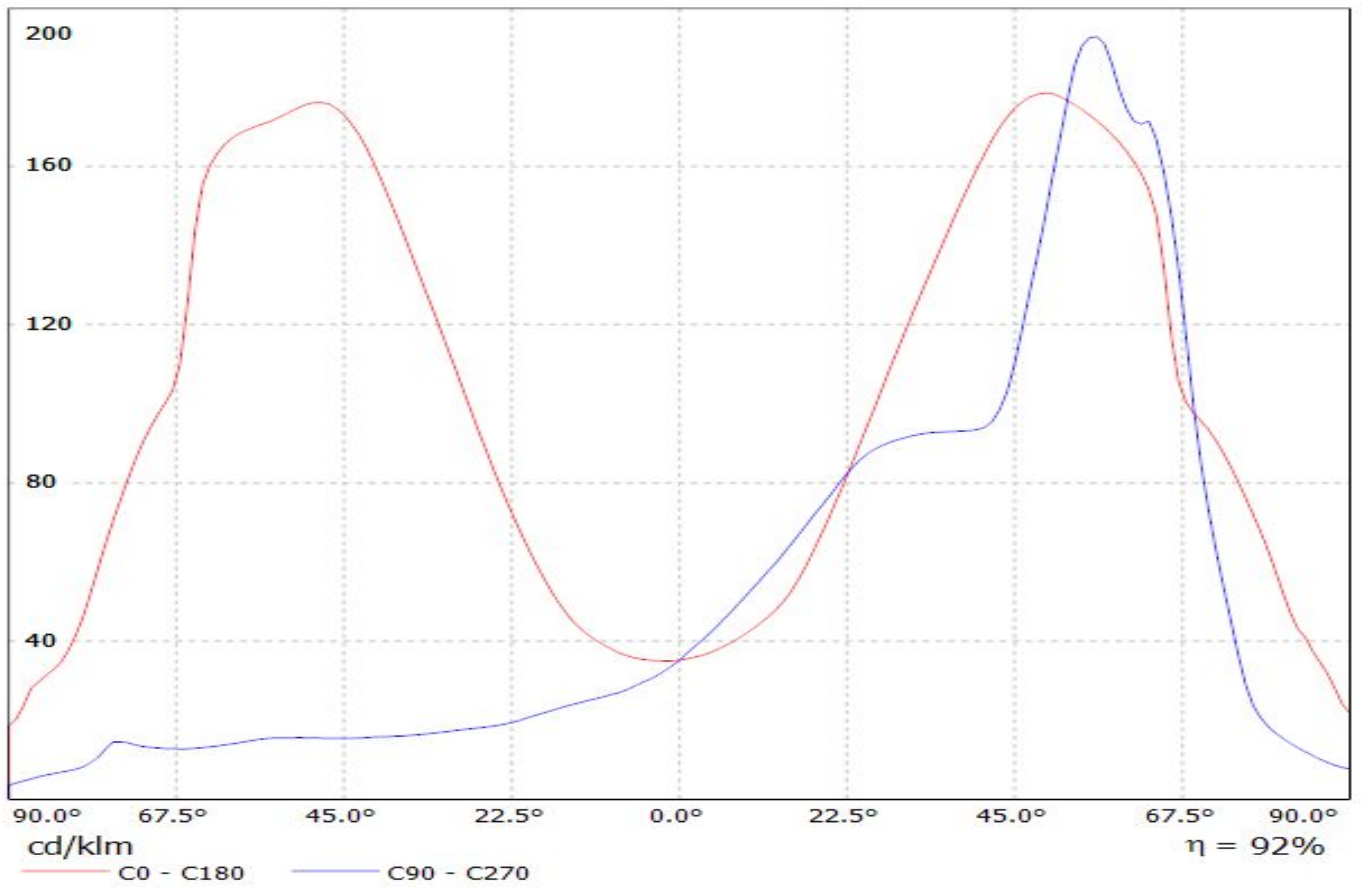
DRAWING TITLE
C15687_STRADA-FW

This drawing is the property
 of LEDiL Oy. It may not be
 reproduced, copied or
 communicated without a written
 agreement with LEDiL Oy.

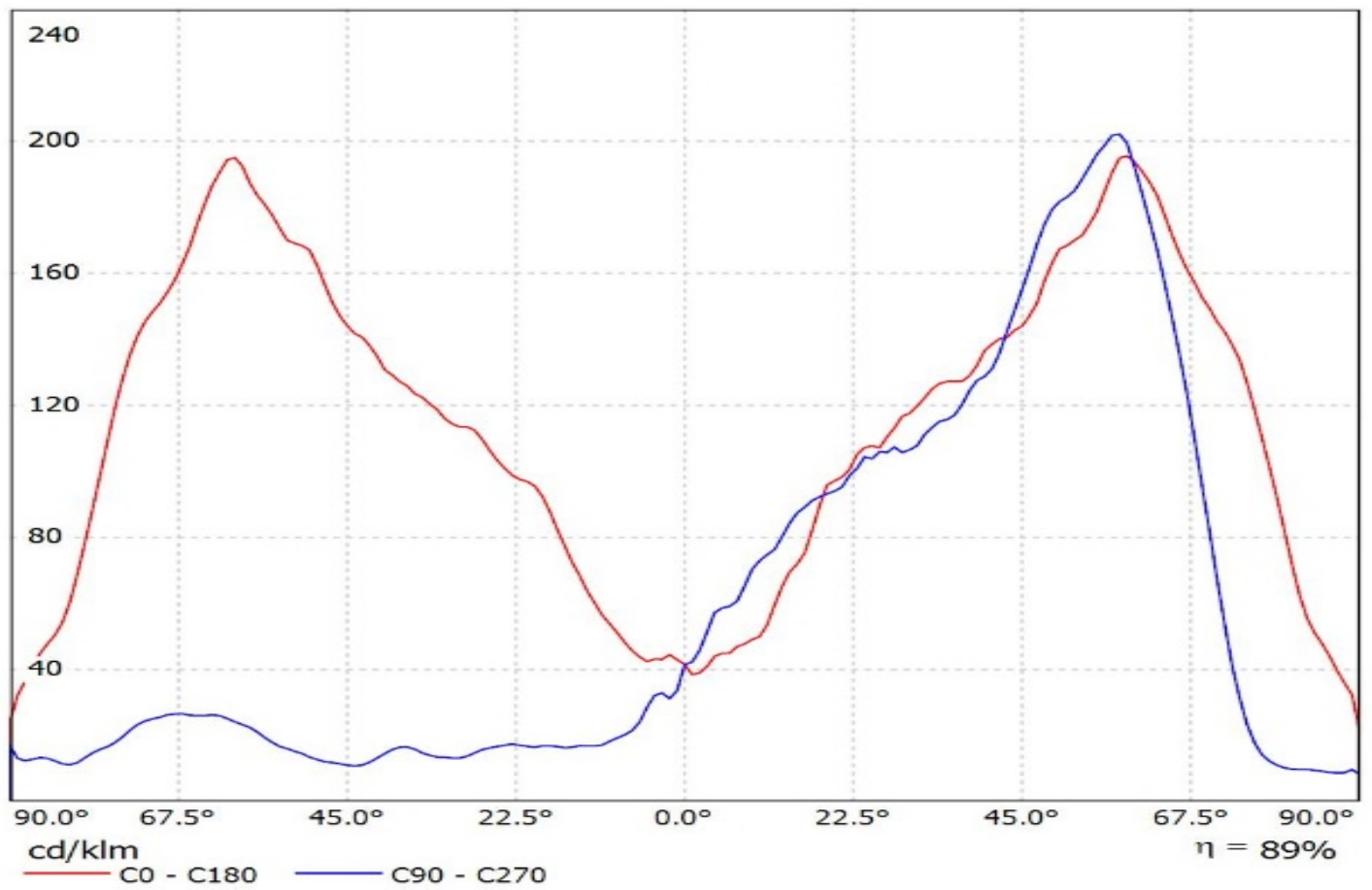
SIZE PART NUMBER
A4 C15687

SCALE 1:1 WEIGHT 7,8 g SHEET 1/1

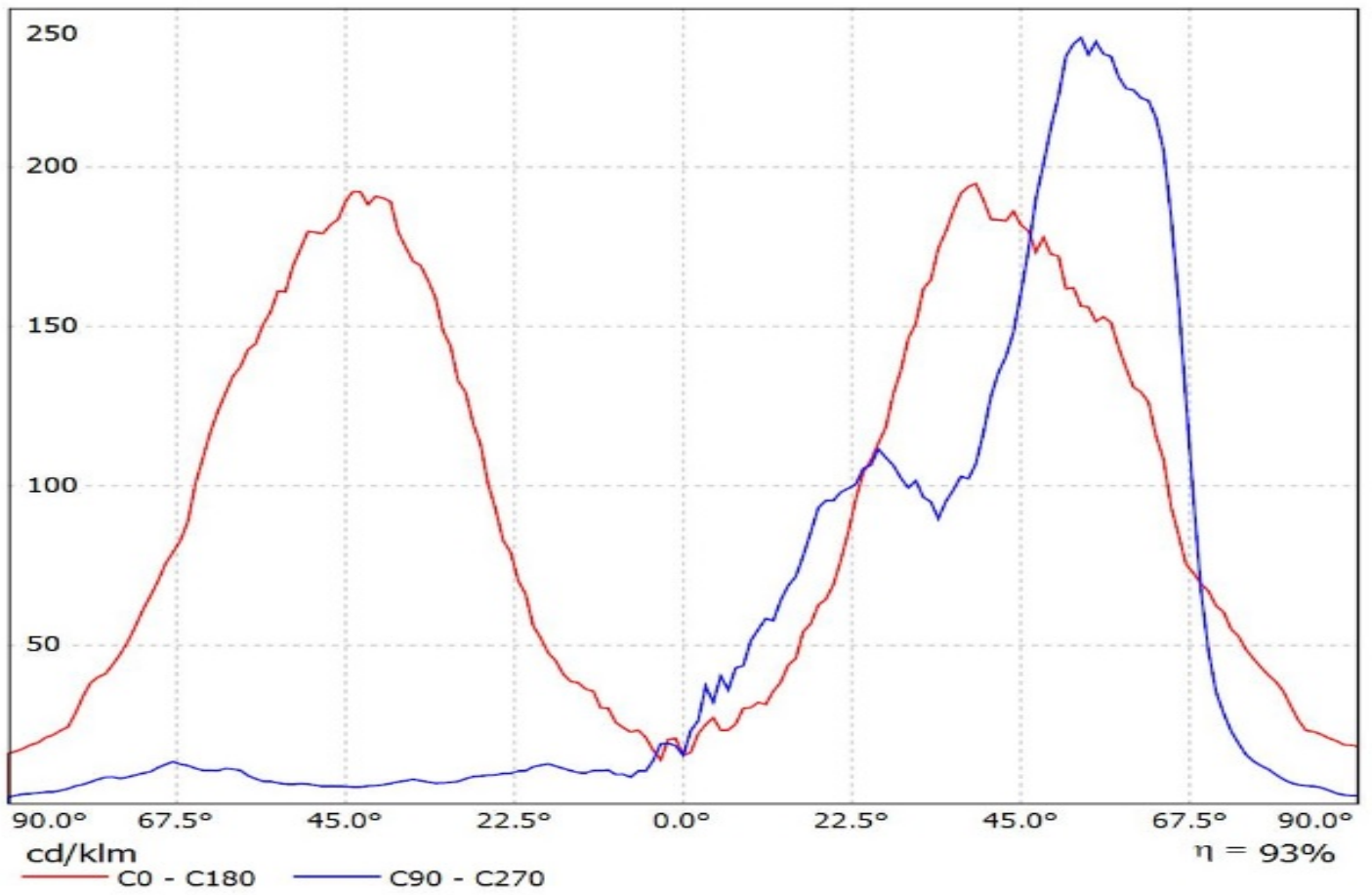
Luminaire: Ledil C15687_STRADA-2X2-FW_(XP-G2)
Lamps: 1 x Cree_XP-G2_(XPGBWT-L1-000-00G51)
_422.135lm@250mA_CCT=7181K_P=2.9785W_I=0.250A



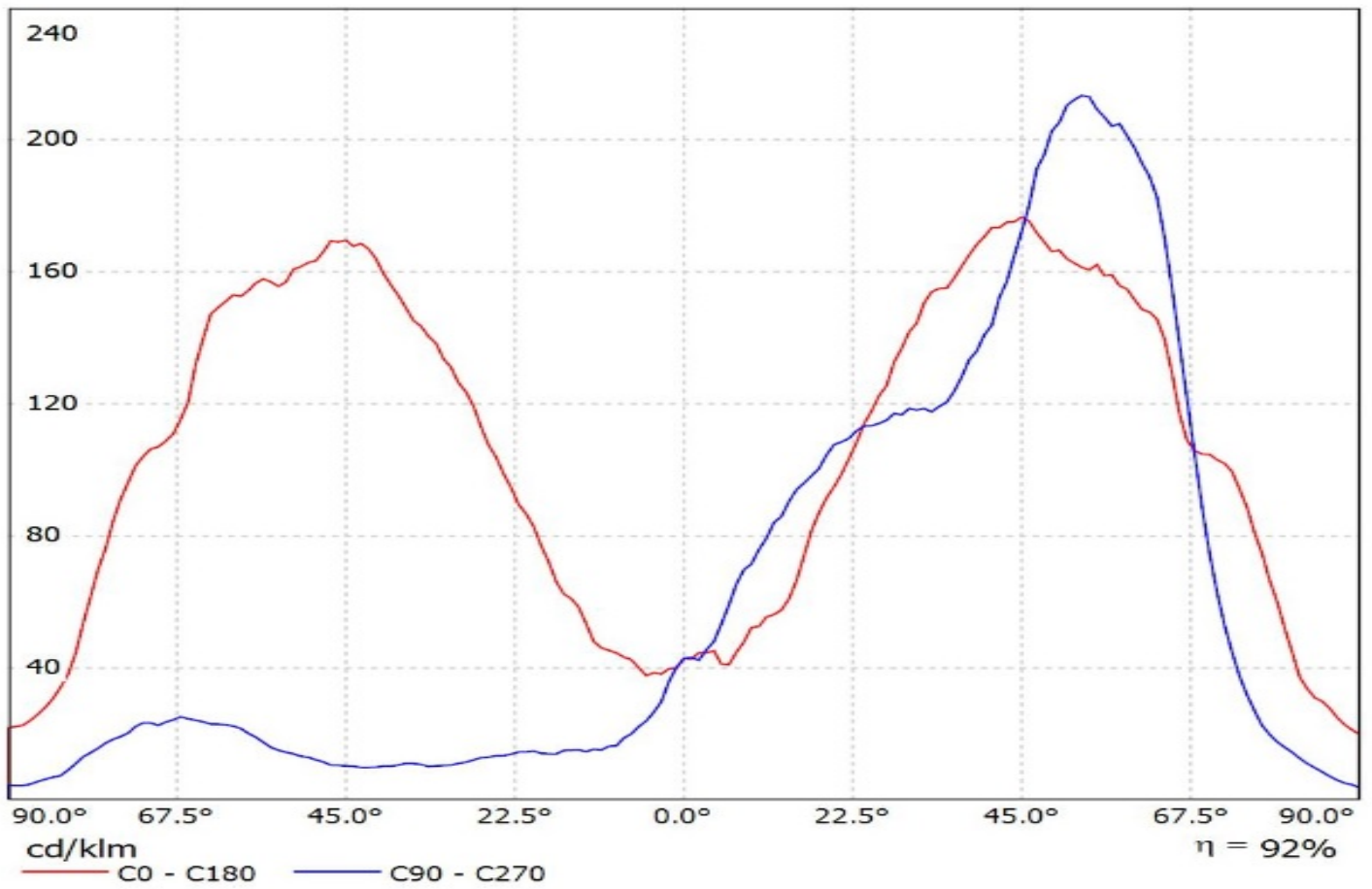
Luminaire: Ledil Oy C15687_STRADA-2X2-FW_(NWSx229A)_SIMULATED
Lamps: 1 x Nichia NWSW229A



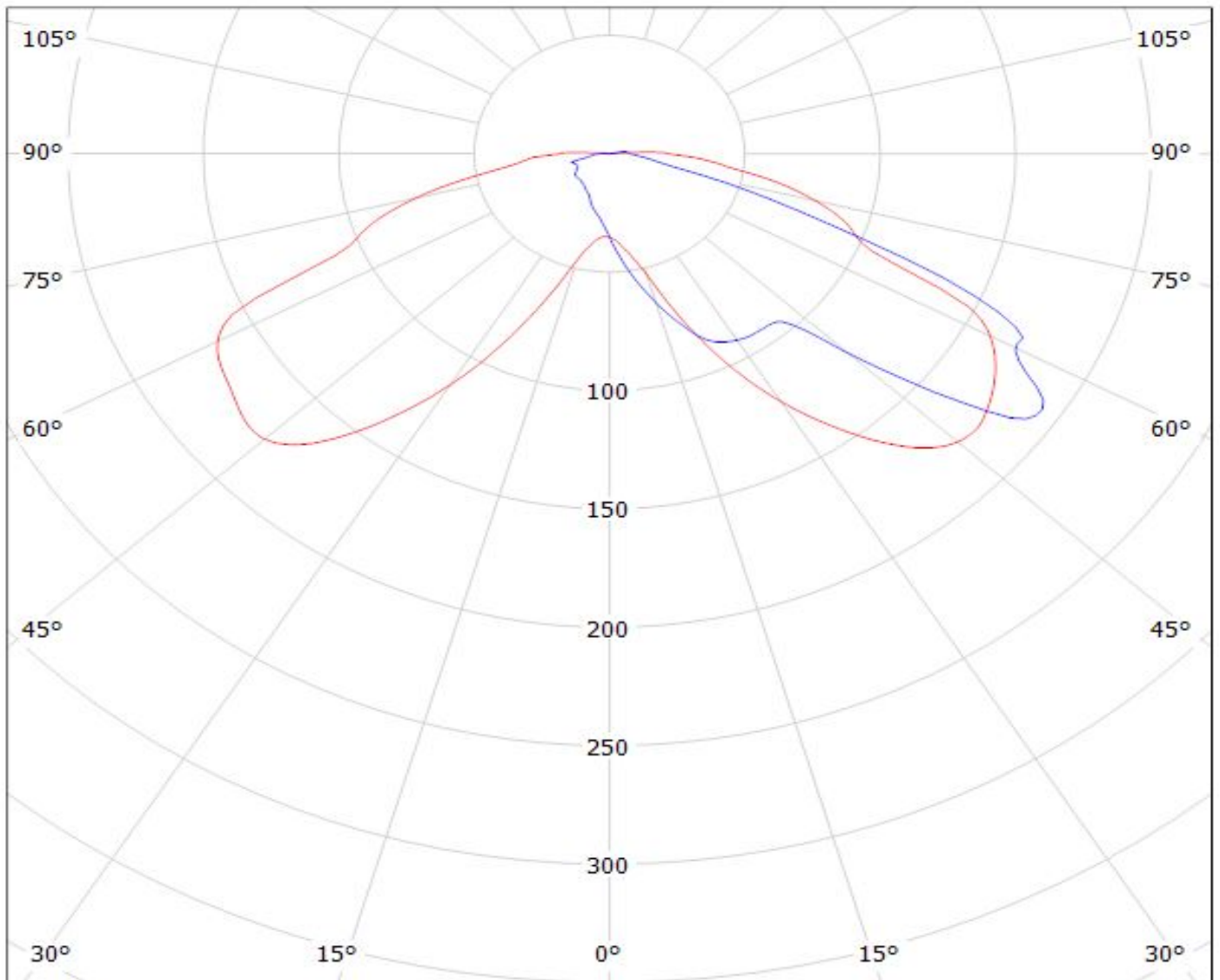
Luminaire: Ledil Oy C15687_STRADA-2X2-FW_(Duris_P8)_SIMULATED
Lamps: 1 x OSram Duris P8



Luminaire: Ledil Oy C15687_STRADA-2X2-FW_(Acrich_MJT_4040)_SIMULATED
Lamps: 1 x Seoul Acrich MJT 4040 - SAW09A0A



Luminaire: Ledil C15687_STRADA-2X2-FW_(XP-G2)
Lamps: 1 x Cree_XP-G2_(XPGBWT-L1-000-00G51)
_422.135lm@250mA_CCT=7181K_P=2.9785W_I=0.250A



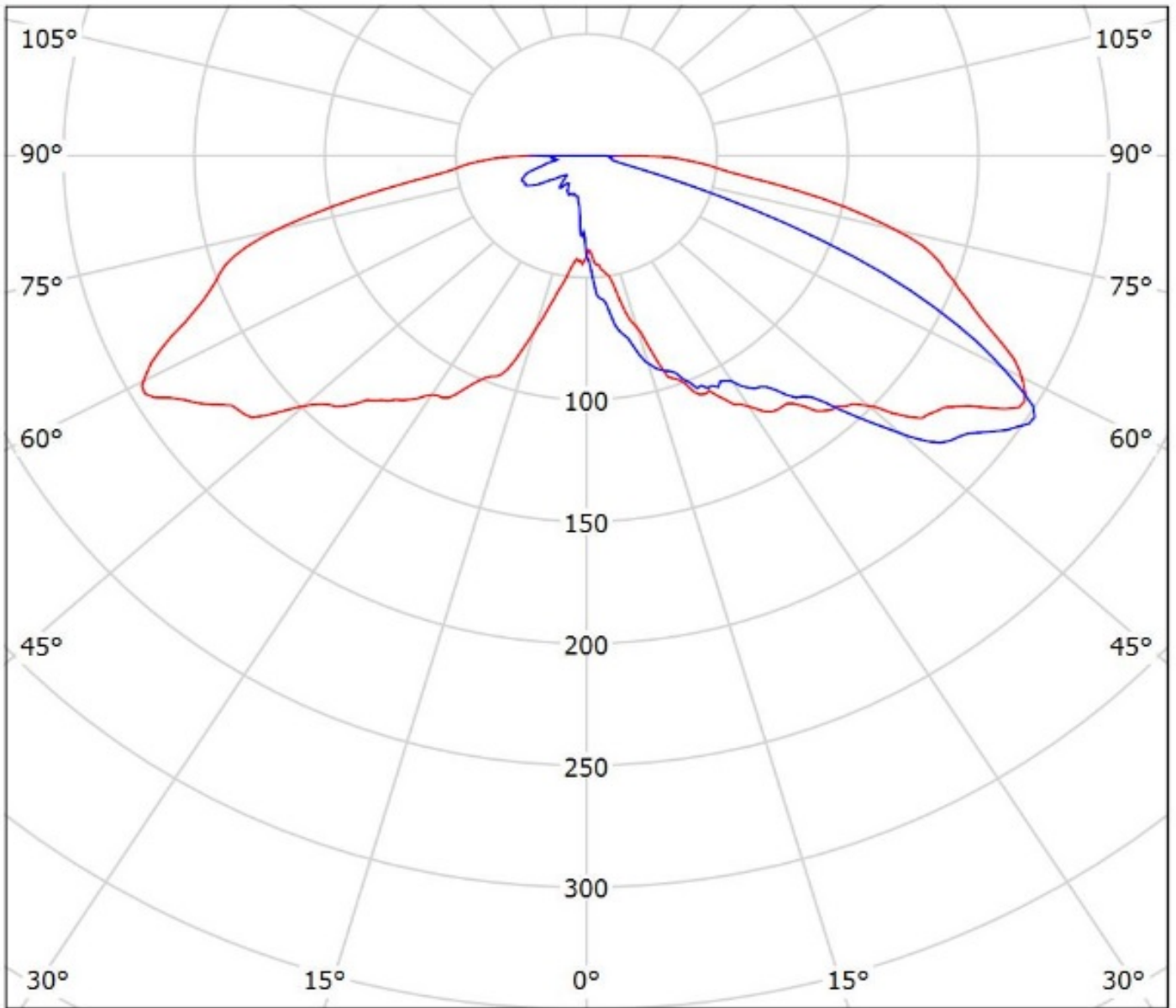
cd/klm

— C0 - C180

— C90 - C270

$\eta = 92\%$

Luminaire: Ledil Oy C15687_STRADA-2X2-FW_(NWSx229A)_SIMULATED
Lamps: 1 x Nichia NWSW229A

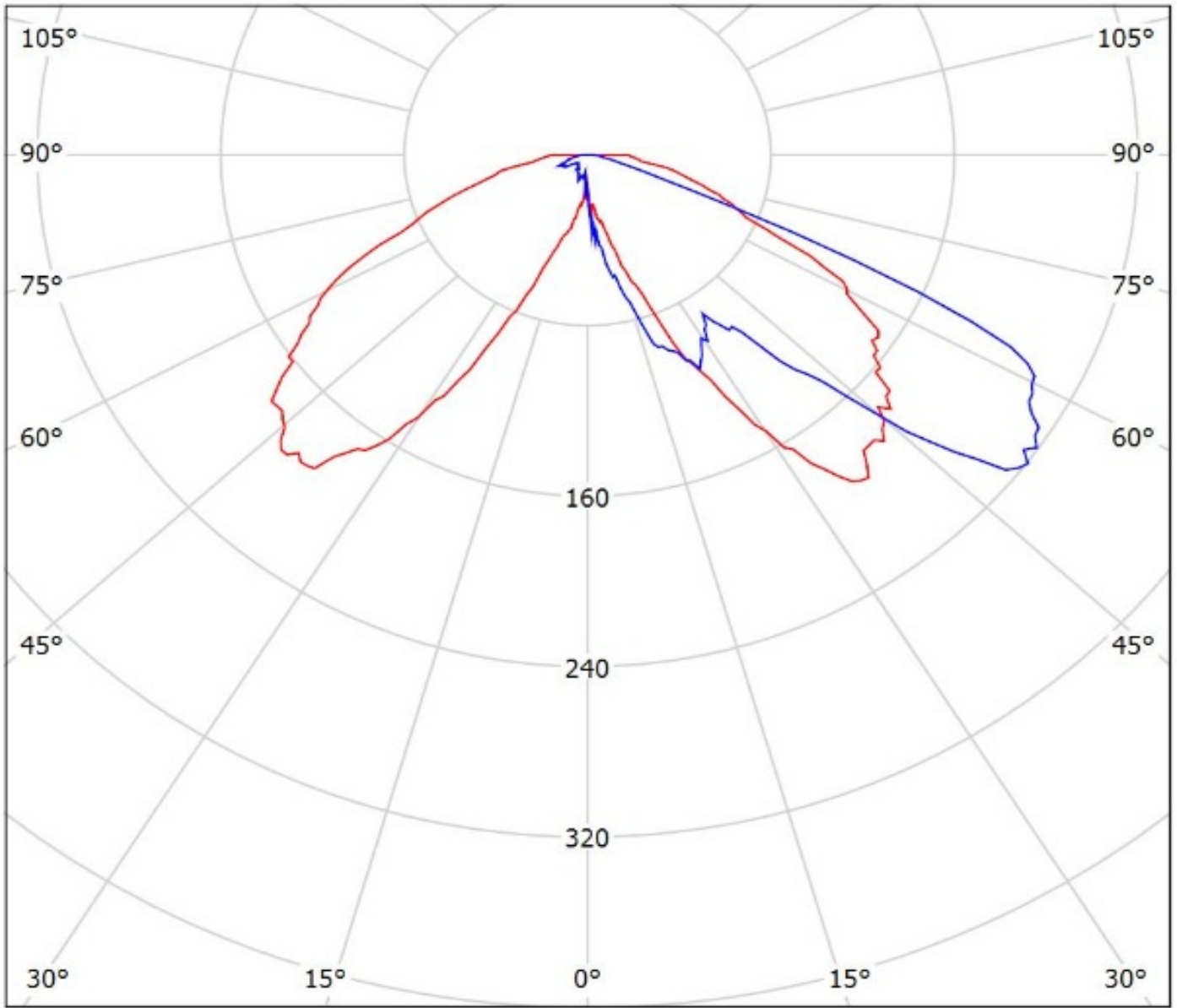


cd/klm

— C0 - C180 — C90 - C270

$\eta = 89\%$

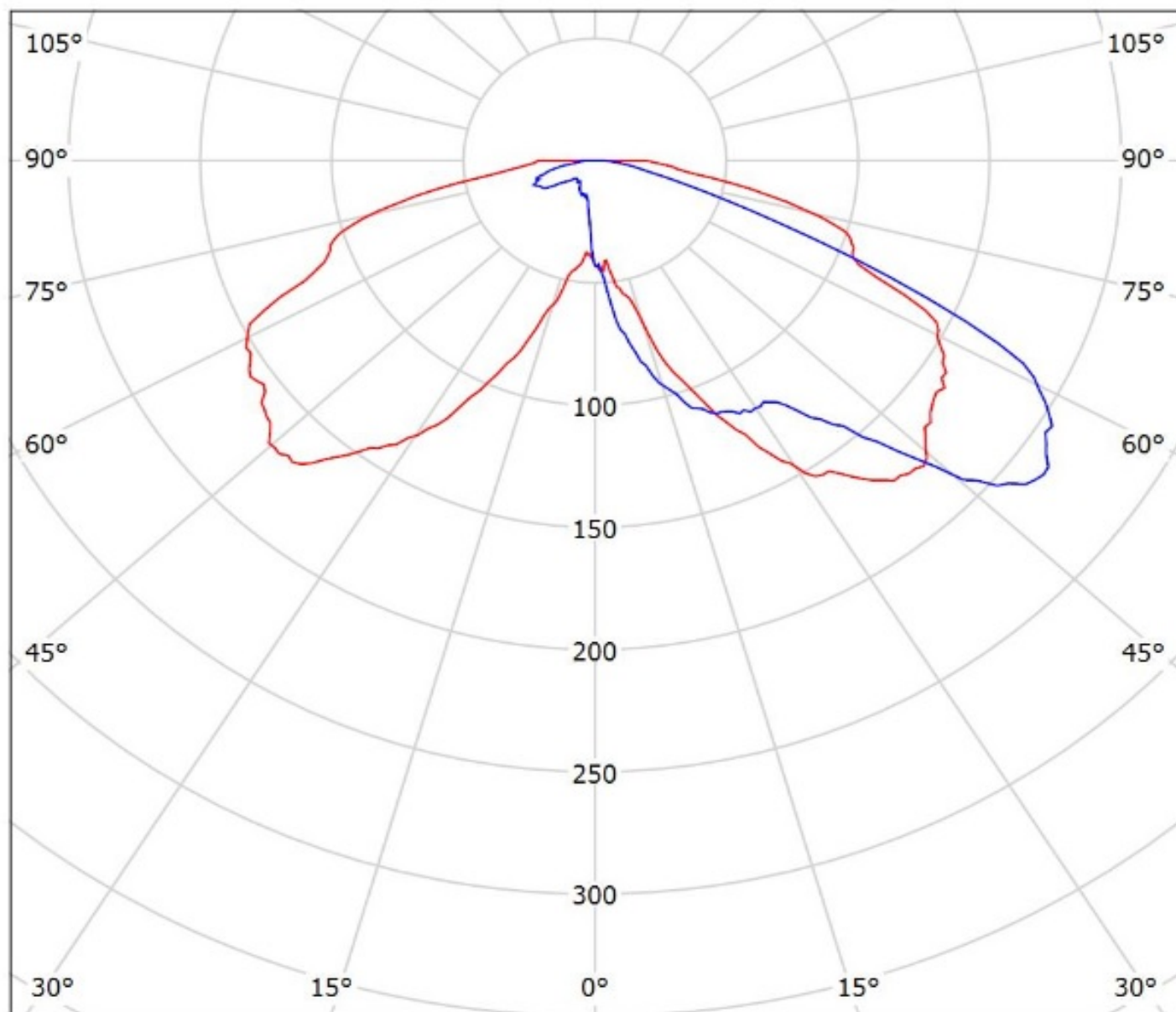
Luminaire: Ledil Oy C15687_STRADA-2X2-FW_(Duris_P8)_SIMULATED
Lamps: 1 x OSram Duris P8



cd/klm
— C0 - C180 — C90 - C270

$\eta = 93\%$

Luminaire: Ledil Oy C15687_STRADA-2X2-FW_(Acrich_MJT_4040)_SIMULATED
Lamps: 1 x Seoul Acrich MJT 4040 - SAW09A0A



cd/klm

— C0 - C180 — C90 - C270

$\eta = 92\%$

NOTE: The typical divergence will be changed by different color, chip size and chip position tolerance. The typical total divergence is the full angle measured where the luminous intensity is half of the peak value.