

NOTES:

1. THIS CTM IS DESIGNED TO MEET THE REQUIREMENTS OF RAYCHEM SPECIFICATION C-6116. QUALIFICATION IS PENDING.

- 2. WIRE SEAL:
MODIFIED THERMOPLASTIC SEALANT
- 3. MODULE BODY:
TRANSPARENT BLUE HEAT SHRINKABLE
RADIATION CROSS-LINKED PVF₂
- 4. SOLDER RING:
Sn63 PER QQ-S-571
FLUX COATED WITH TYPE RMA
- 5. CONTACT STRIP:
COPPER ALLOY 172 PER QQ-C-533
SOLDER COATED PER QQ-S-571, Sn63
FLUX COATED PER QQ-S-571, TYPE RMA
- 6. CABLE SEAL:
MODIFIED THERMOPLASTIC SEALANT

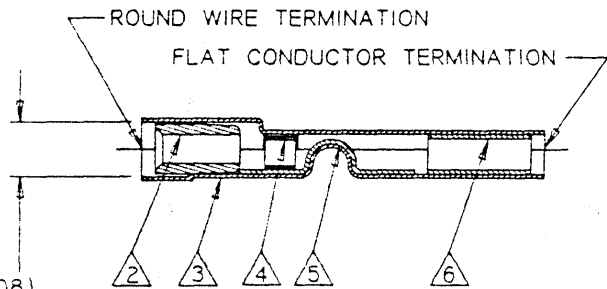
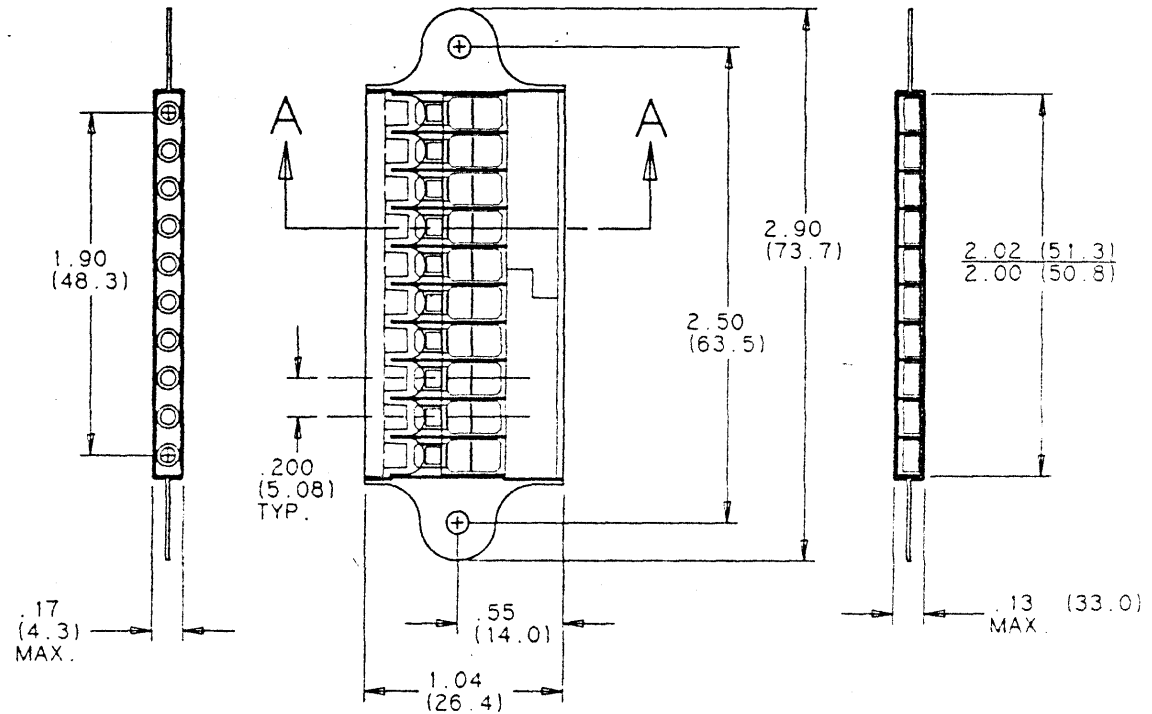
7. USABLE WIRE SIZE:
ROUND WIRE 16 THRU 20 AWG - .082 MAX. DIA.
FLAT CONDUCTOR CABLE 18 GAGE PER RAYCHEM
TU 10 200 18B OR 20 GAGE PER RAYCHEM
TU 10 200 20B

8. CONSULT FACTORY FOR RAYCHEM ENGINEERING
STANDARD FOR TERMINATION METHOD.

9. DIELECTRIC WITHSTANDING VOLTAGE:

TEST CONDITION	TEST VOLTAGE VAC RMS AT 60 Hz
SEA LEVEL	1000
ALTITUDE 70,000 FT. (33.5 TORR) AMBIENT TEMP	375
ALTITUDE 80,000 FT. (20.6 TORR) -50 °C TEMP	625

REVISIONS		
LTR	DESCRIPTION	DATE
2	REVISED PER ECN # T 7658	1-16-87



.082 (2.08)
DIA. MAX.
ALLOWABLE WIRE SIZE

SECTION A-A
ENLARGED

**If this document is printed it becomes uncontrolled.
Check with the web for latest revision.**

SPECIFICATION CONTROL DRAWING © Raychem Corporation 1986

UNLESS OTHERWISE SPECIFIED DIMENSIONS ARE IN INCHES. METRIC DIMENSIONS ARE IN BRACKETS.	DRAWN	JWELCH	12/86	Raychem <small>RAYCHEM CORPORATION 300 CONSTITUTION DRIVE MENLO PARK, CALIFORNIA 94025</small>
	CHECKED	<i>[Signature]</i>	1/14/87	
	APPROVED	<i>[Signature]</i>	1-14-87	
	APPROVED	<i>[Signature]</i>	1-14-87	
DECIMALS	.XXX ± .005	(.01 mm)		TITLE CABLE TRANSITION MODULE (CTM). FLAT TO ROUND TERMINATION, 2-IN.. W/EARS. .200 PITCH, 10 CONDUCTOR, ENVIRONMENT RESISTANT, 125 °C MAX. OPER. TEMP.
	.XX ± .02	(.5 mm)		
ANGLES	.X ± —			
WEIGHT	— lbs — g			
	THIRD ANGLE PROJECTION			SIZE CODE DENT. NO. DWG. NO.
				C 06090 CTM-1002
				DO NOT SCALE THIS DRAWING. SHEET 1 OF 1