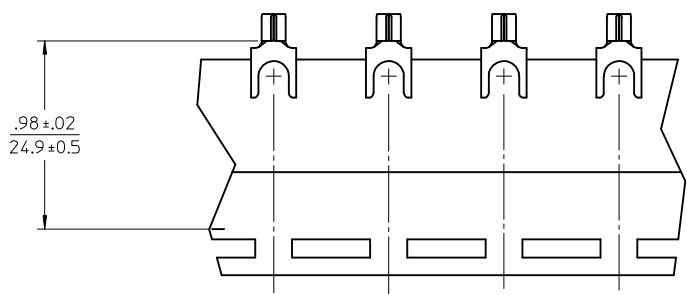
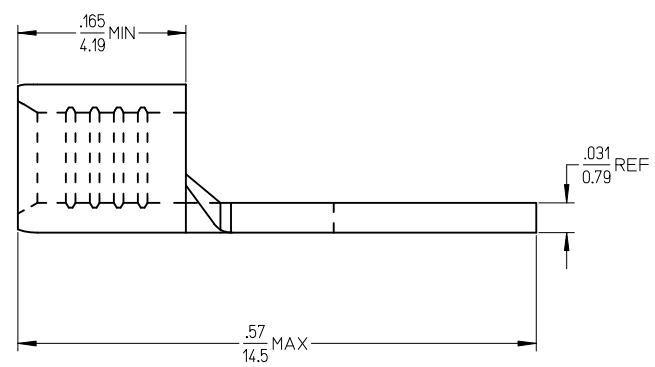
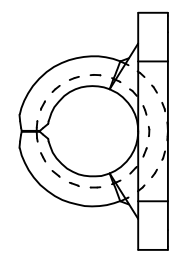
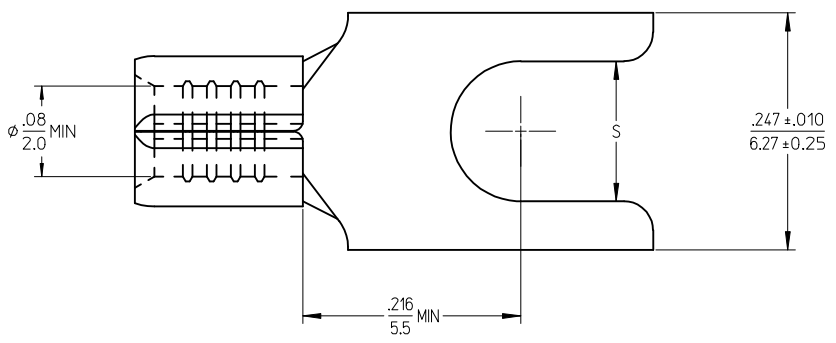


MATERIAL NO.	ENGINEERING NO.	STUD SIZE	DIMENSION S ±.005/0.13	PACKAGING
191290032	BB-1471-04	4	.119/3.02	LOOSE PIECE
191290030	BB-1471-06	6	.146/3.71	LOOSE PIECE
191290028	BB-1471-06T	6	.146/3.71	TAPE MOUNTED



PARTS ON TAPE

SALES DRAWING

NOTES:  
 1) MATERIAL: MATTE TIN-PLATED COPPER.  
 2) PARTS ARE ROHS COMPLIANT.

RELEASED EC NO: IPG2014-0097 DRAWING: JASO1 2013/07/12 CHKD: JMACNEIL 2013/07/12 APPR: JMACNEIL 2013/07/31	QUALITY SYMBOLS	GENERAL TOLERANCES (UNLESS SPECIFIED)	DIMENSION STYLE	SCALE	DESIGN UNITS	THIRD ANGLE PROJECTION															
	$\nabla=0$ $\nabla=0$	<table border="1"> <thead> <tr> <th></th> <th>mm</th> <th>INCH</th> </tr> </thead> <tbody> <tr> <td>4 PLACES</td> <td>± ---</td> <td>± ---</td> </tr> <tr> <td>3 PLACES</td> <td>± ---</td> <td>±.005</td> </tr> <tr> <td>2 PLACES</td> <td>± 0.13</td> <td>±.01</td> </tr> <tr> <td>1 PLACE</td> <td>± 0.25</td> <td>± ---</td> </tr> </tbody> </table>		mm	INCH	4 PLACES	± ---	± ---	3 PLACES	± ---	±.005	2 PLACES	± 0.13	±.01	1 PLACE	± 0.25	± ---	IN/MM	10:1	INCH	
		mm	INCH																		
	4 PLACES	± ---	± ---																		
3 PLACES	± ---	±.005																			
2 PLACES	± 0.13	±.01																			
1 PLACE	± 0.25	± ---																			
DRAFT WHERE APPLICABLE MUST REMAIN WITHIN DIMENSIONS	DRAWN BY: RCM CHECKED BY: JMACNEIL APPROVED BY: JMACNEIL DATE: 1989/10/17 DATE: 2013/07/12 DATE: 2013/07/31	MATERIAL NO. <b>SEE CHART</b>	TITLE <b>SPADE TONGUE TERMINAL (BLOCK), 16-14 AWG, KRIMPTITE</b>	MOLEX INCORPORATED	SHEET NO. 1 OF 1																
REV: A			SIZE: C	THIS DRAWING CONTAINS INFORMATION THAT IS PROPRIETARY TO MOLEX INCORPORATED AND SHOULD NOT BE USED WITHOUT WRITTEN PERMISSION																	