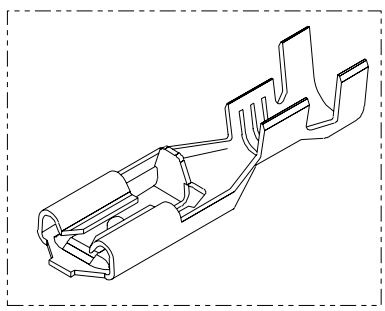
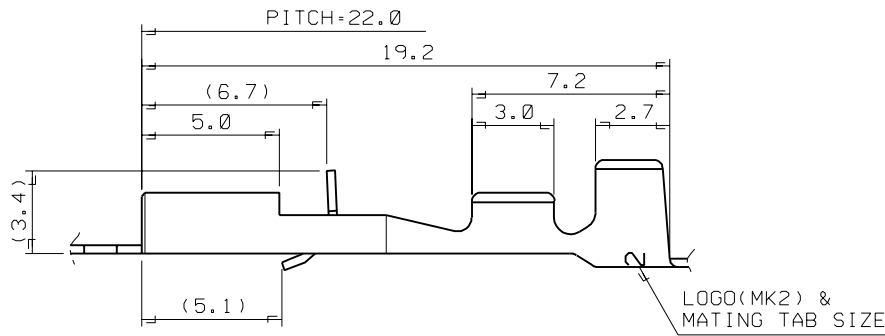
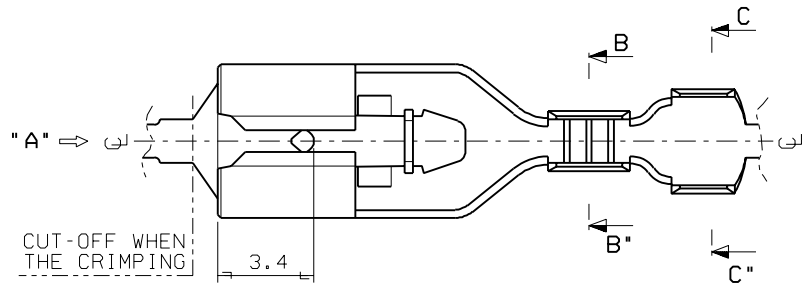


DWG. NO. SD 35068-9722

SIMILAR ITEM

PROJECT NO. .187 MP-LOCK CONN'

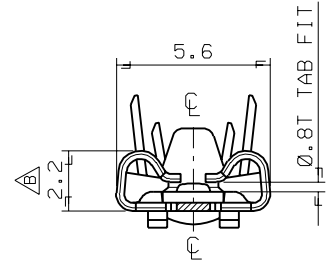
DO NOT SCALE DRAWING DIMENSION IN METRIC



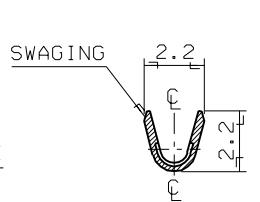
ISOMETRIC VIEW

0.8
MK2

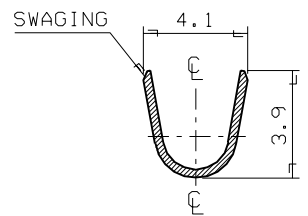
- NOTES
1. MATERIAL : BRASS, 0.3MM THICKNESS
 2. FINISH : PRE-PLATED TIN
 3. MATING TAB THICKNESS : 0.8MM
 4. RECOMMENDED LENGTH OF WIRE STRIP IS 4.4-5.0MM.
 5. APPLICABLE WIRE : AWG #22-#20
INSULATION DIA. : ϕ 1.5-2.7MM
 6. CRIMPING SPECIFICATION : CS35068



VIEW "A"



SEC' : B-B"



SEC' : C-C"

REVISED	EC NO. KOR1998-0140 DRWN: J.S.KANG 98/11/12 CHK: B.K.CHOI APPR: C.W.LEE	QUALITY SYMBOLS MAJOR CRITICAL	GENERAL TOLERANCES: (UNLESS SPECIFIED)		SCALE	DESIGN UNITS	DIMENSIONS:		SHT	REV	
			mm	INCH	6/1	<input checked="" type="checkbox"/> mm <input type="checkbox"/> INCH	<input type="checkbox"/> mm <input type="checkbox"/> INCH <input checked="" type="checkbox"/> mm ONLY				
B	REV	DESCRIPTION	4 PLACES	$\pm 0.$	\pm	DRAWN BY & DATE J.S.KANG 98/01/21	TITLE: .187 MP-LOCK TERMINAL(S) (FOR 0.8T TAB)				
			3 PLACES	$\pm 0.$	\pm						CHECKED BY & DATE B.K.CHOI 98/01/21
			2 PLACES	± 0.2	\pm	APPROVED BY & DATE C.W.LEE 98/01/21	MOLEX INCORPORATED KOREA				
			1 PLACE	± 0.3	\pm	CAD FILENAME S35068F.DGN					MATERIAL NO. 35068-9722
			ANGULAR: $\pm 1^\circ$			DRAFT WHERE APPLICABLE MUST REMAIN WITHIN DIMENSIONS			THIS DRAWING CONTAINS INFORMATION THAT IS PROPRIETARY TO MOLEX INCORPORATED AND SHOULD NOT BE USED WITHOUT WRITTEN PERMISSION.		SIZE B