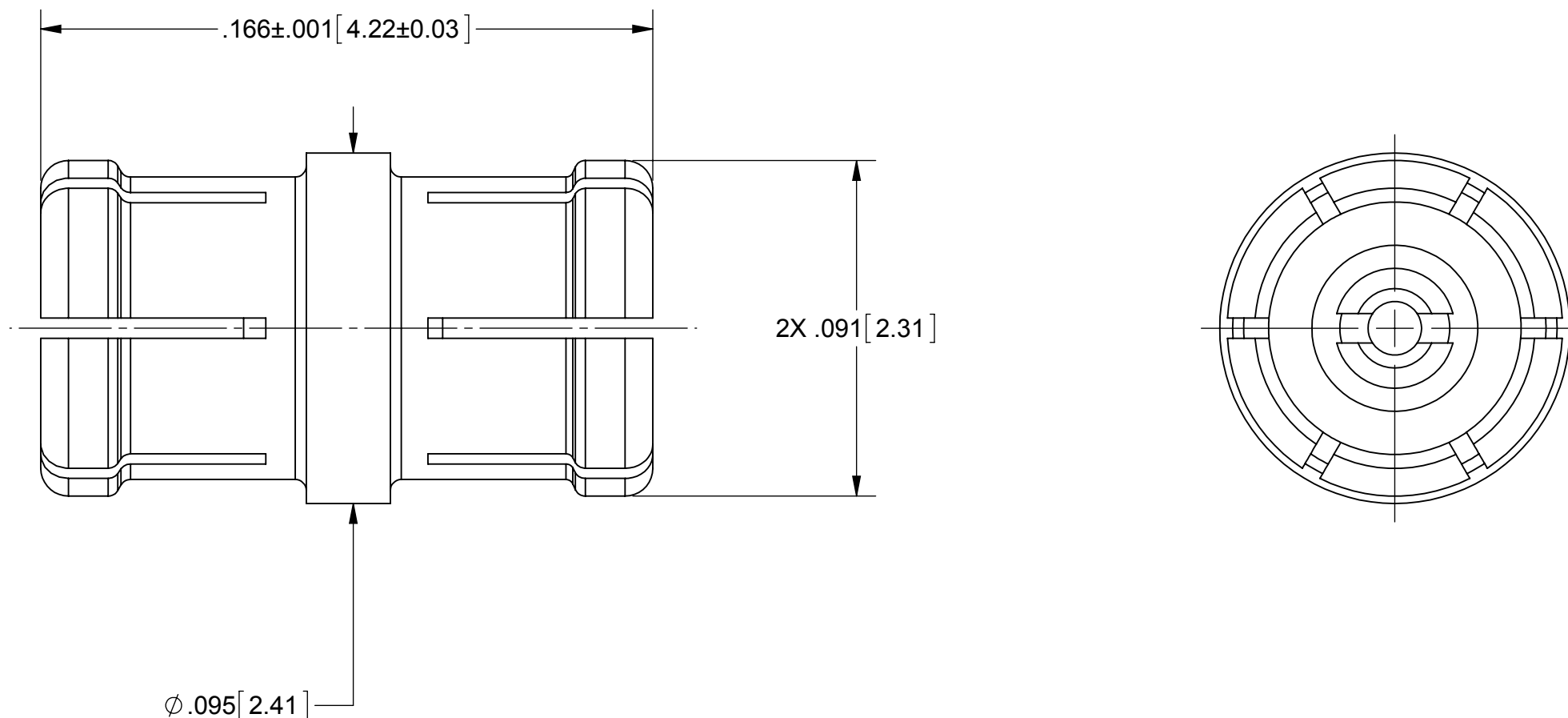


REVISION HISTORY			
REV	DESCRIPTION	DATE	APPROVED
01	PRELIMINARY	11/09	DAL
-	NRN 37463	06/12	STW

# PRODUCT DATA DRAWING



**MATERIAL:**

BODY & CONTACT: BERYLLIUM COPPER ALLOY C17300 PER ASTM B196  
 INSULATOR: PTFE PER ASTM D1710, TYPE I, GRADE 1, CLASS B

**FINISH:**

BODY & CONTACT: GOLD PER ASTM B 488, TYPE II, CODE C, CLASS 1.27;  
 OVER NICKEL PER AMS-QQ-N-290, CLASS 1, .00005" MIN.

**PERFORMANCE**

IMPEDANCE: 50 OHMS  
 FREQ. RANGE: DC TO 40.0 GHz

MATERIAL: SEE NOTES	DIMENSIONS ARE IN INCHES TOLERANCES: FRACTIONAL: ±1/64 ANGULAR: X° ±1'0" X°X' ±15' DECIMAL: .X ±.030 .XX ±.010 .XXX ±.005	UNLESS OTHERWISE SPECIFIED 1) ALL DIMENSIONS ARE IN INCHES (MILLIMETERS) 2) ALL DIMENSIONS ARE AFTER PLATING. 3) BREAK CORNERS & EDGES .005 R. MAX. 4) CHAM. 1ST & LAST THREADS. 5) SURFACE ROUGHNESS 63√ MIL-STD-10. 6) DIA.'S ON COMMON CENTERS TO BE CONCENTRIC WITHIN T.I.R. 7) REMOVE ALL BURRS	<b>SV Microwave, Inc.</b> 2400 Centrepark West Drive, Suite 100 West Palm Beach, FL 33409	
FINISH: SEE NOTES			TITLE: <b>SMPM FEMALE TO FEMALE ADAPTOR</b>	
SURFACE AREA: N/A	INTERPRET DIMENSIONS AND TOLERANCES PER ASME Y14.5M - 1994	THIRD ANGLE PROJECTION	DRAWN: NHR 11/09/09	SIZE: B
<p style="text-align: center;"><b>PROPRIETARY</b></p> <small>THE INFORMATION CONTAINED IN THIS DRAWING IS THE SOLE PROPERTY OF SV MICROWAVE, INC. ANY REPRODUCTION IN PART OR AS A WHOLE WITHOUT THE WRITTEN PERMISSION OF SV MICROWAVE, INC IS PROHIBITED.</small>		CHECKED: DAL 11/09/09	DWG. NO. 1132-4010	CAGE CODE 95077
		APPROVED: DAL 11/09/09	SCALE: 25:1	SHEET 1 OF 1