

THE INFORMATION CONTAINED HEREIN IS CONSIDERED "PROPRIETARY" TO BEL FUSE INC. AND SHALL NOT BE COPIED, REPRODUCED OR DISCLOSED WITHOUT THE WRITTEN APPROVAL OF BEL FUSE INC.

RoHS
2002/95/EC



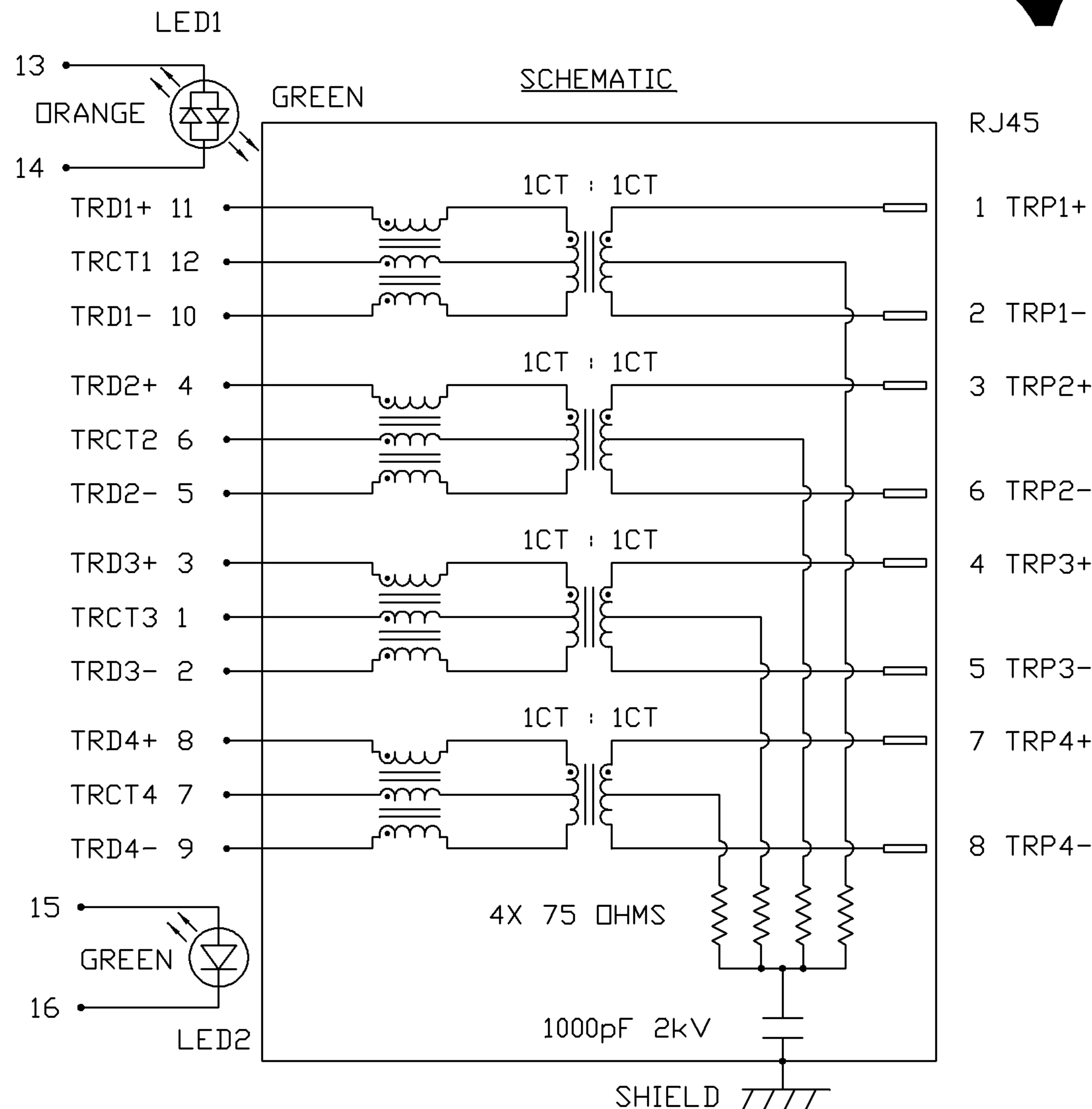
LED1 POLARITY			LED2 POLARITY		
PIN 13	PIN 14	COLOR	PIN 15	PIN 16	COLOR
+	-	GREEN	+	-	GREEN
-	+	ORANGE			

ELECTRICAL CHARACTERISTICS @ 25°C

URNS RATIO

TP1	1CT : 1CT ±2%
TP2	1CT : 1CT ±2%
TP3	1CT : 1CT ±2%
TP4	1CT : 1CT ±2%
QCL @ 100kHz/100mVRMS 8mA DC BIAS	350µH MIN.
INS. LOSS	
0.1MHz TO 1MHz	-1.1 dB MAX
1MHz TO 65MHz	-0.5 dB MAX
65MHz TO 100MHz	-0.8 dB MAX
100MHz TO 125MHz	-1.2 dB MAX
RET. LOSS (MIN)	
0.5MHz-40MHz	-18 dB
40MHz-100MHz	-12+20LOG(f/80MHz) dB
CROSS TALK	
100kHz - 100MHz	-33+20LOG(f/100MHz)dB MIN
CM TO CM REJ	
100kHz - 100MHz	-30 dB MIN
CM TO DM REJ	
100kHz - 100MHz	-35 dB MIN
HIPOT (Isolation Voltage):	1500 Vrms or 2250VDC

LED 1			
VF (FORWARD VOLTAGE)	IF=20mA	GREEN	2.2V TYP.
		ORANGE	2.0V TYP.
λD (DOMINANT WAVELENGTH)	IF=20mA	GREEN	565nm TYP.
		ORANGE	610nm TYP.
LED 2			
VF (FORWARD VOLTAGE)	IF=20mA	GREEN	2.2V TYP.
λD (DOMINANT WAVELENGTH)	IF=20mA	GREEN	565nm TYP.



ORIGINATED BY	DATE	TITLE	PART NO. / DRAWING NO.	STANDARD DIM. TOL. IN INCH	[] METRIC DIM. AS REFERENCE
CHOW WANCHUNG	07-31-08	gigabit MagJack® (8 cores, Tab Up) 0826-1M1T-43-F	08261M1T43-F	.X	UNIT : INCH [mm] REV. : C
DRAWN BY	DATE		FILE NAME	.XX	SCALE : N/A SIZE : A4
WEIDE LEE	07-31-08		08261M1T43-F_C.DWG	.XXX	PAGE : 2



THE INFORMATION CONTAINED HEREIN IS CONSIDERED "PROPRIETARY" TO BEL FUSE INC. AND SHALL NOT BE COPIED, REPRODUCED OR DISCLOSED WITHOUT THE WRITTEN APPROVAL OF BEL FUSE INC.

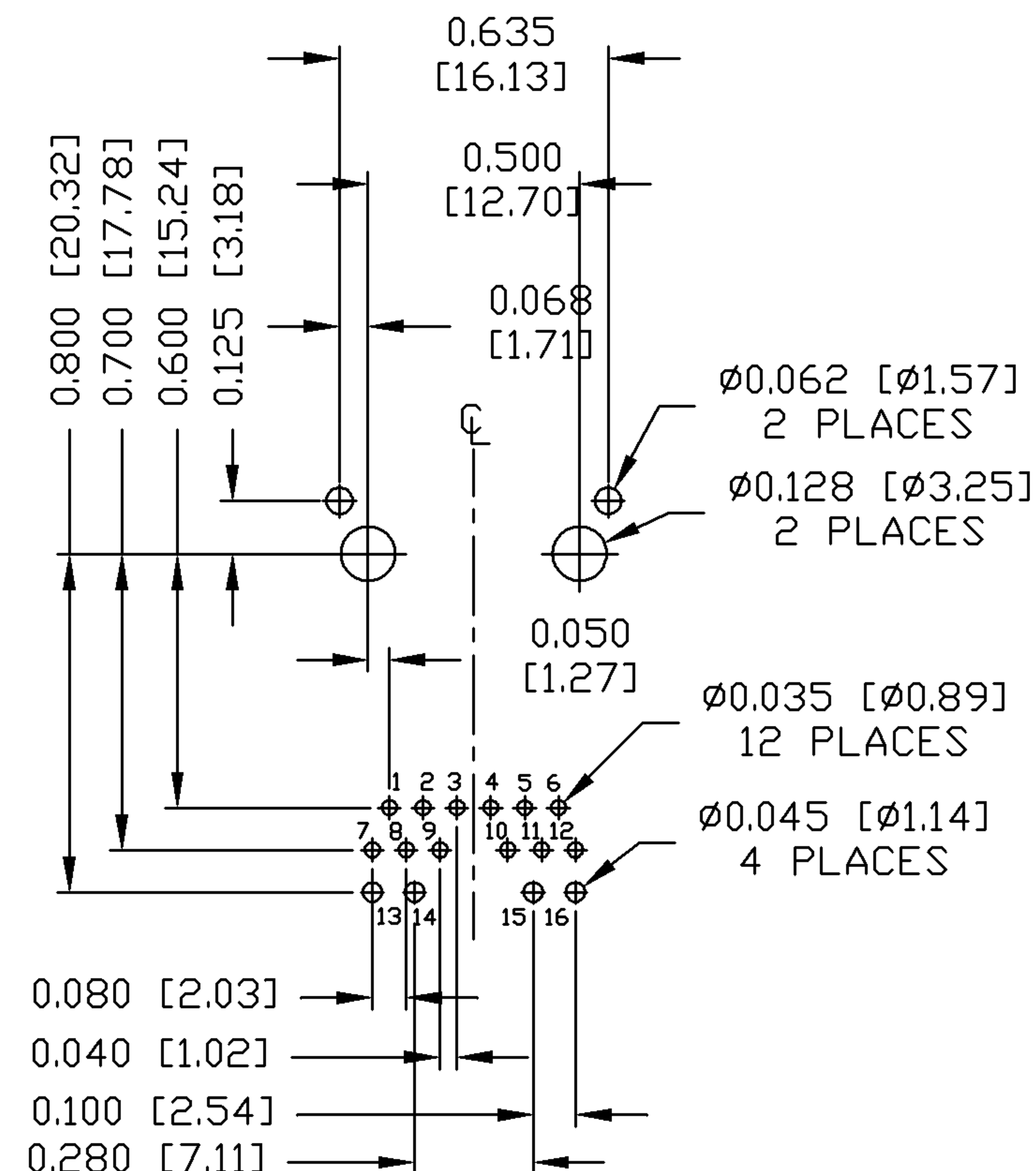
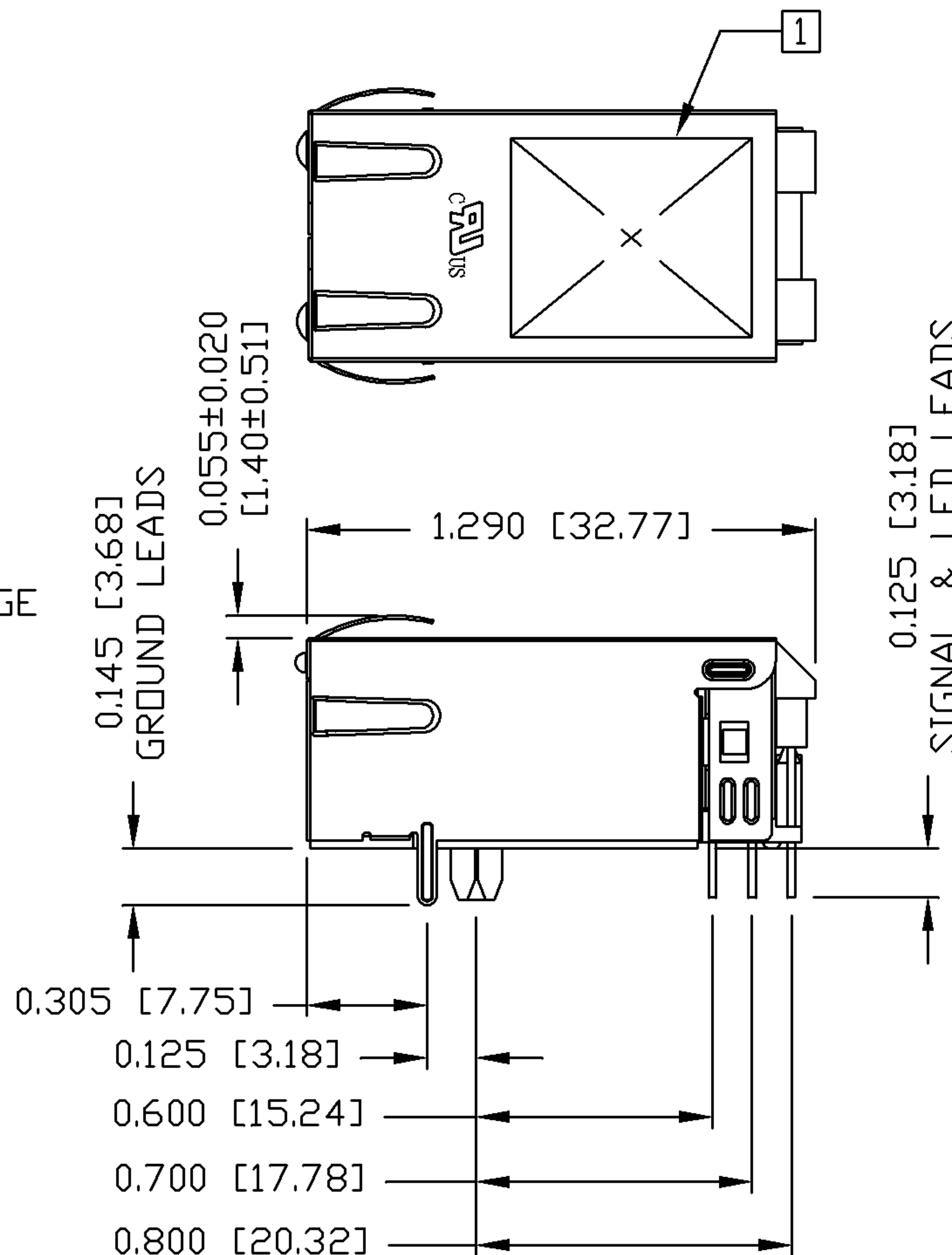
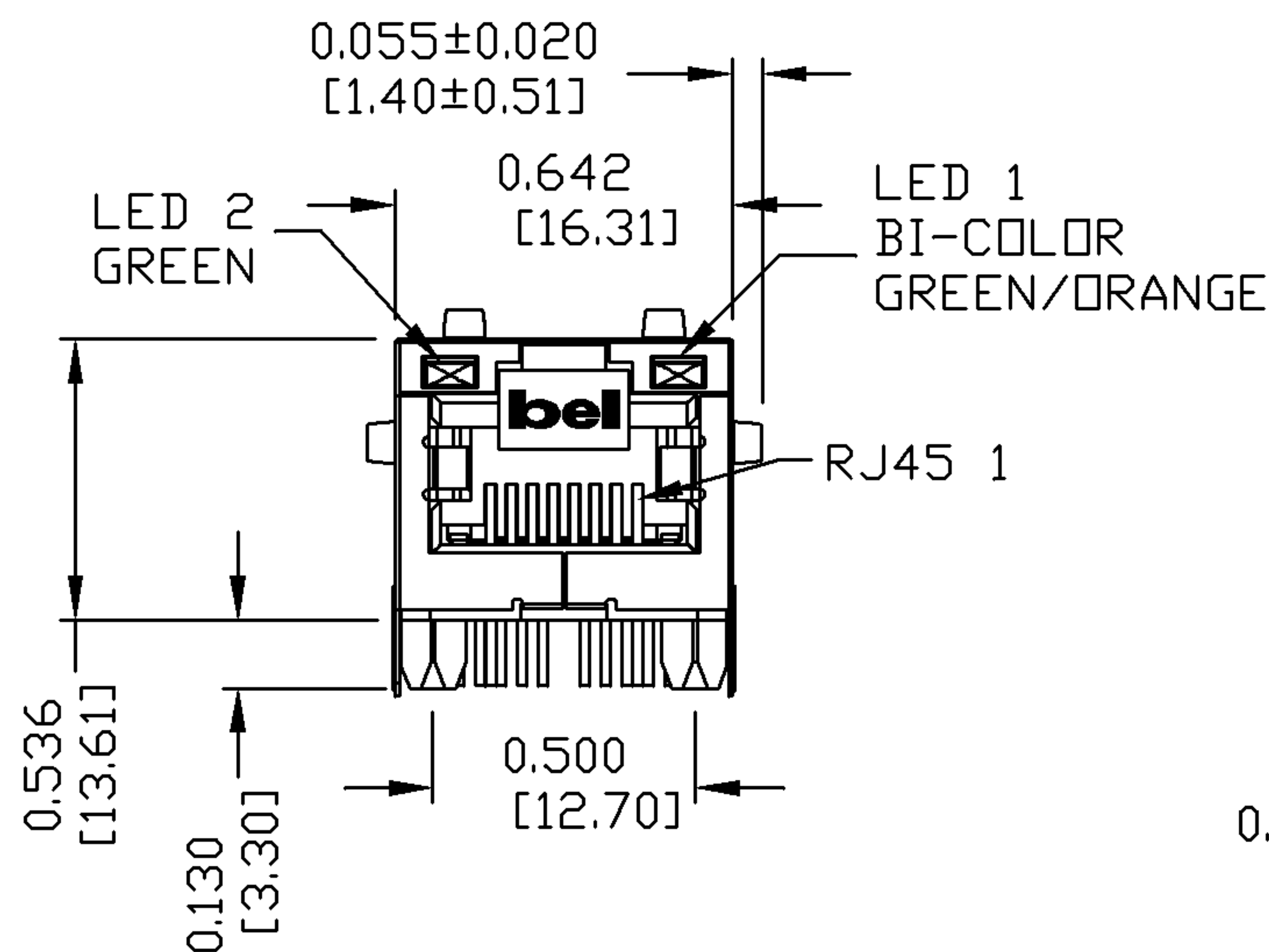
MECHANICAL SPECIFICATION

RoHS
2002/95/EC



RECOMMENDED PCB FOOTPRINT

COMPONENT SIDE VIEW



NOTES:

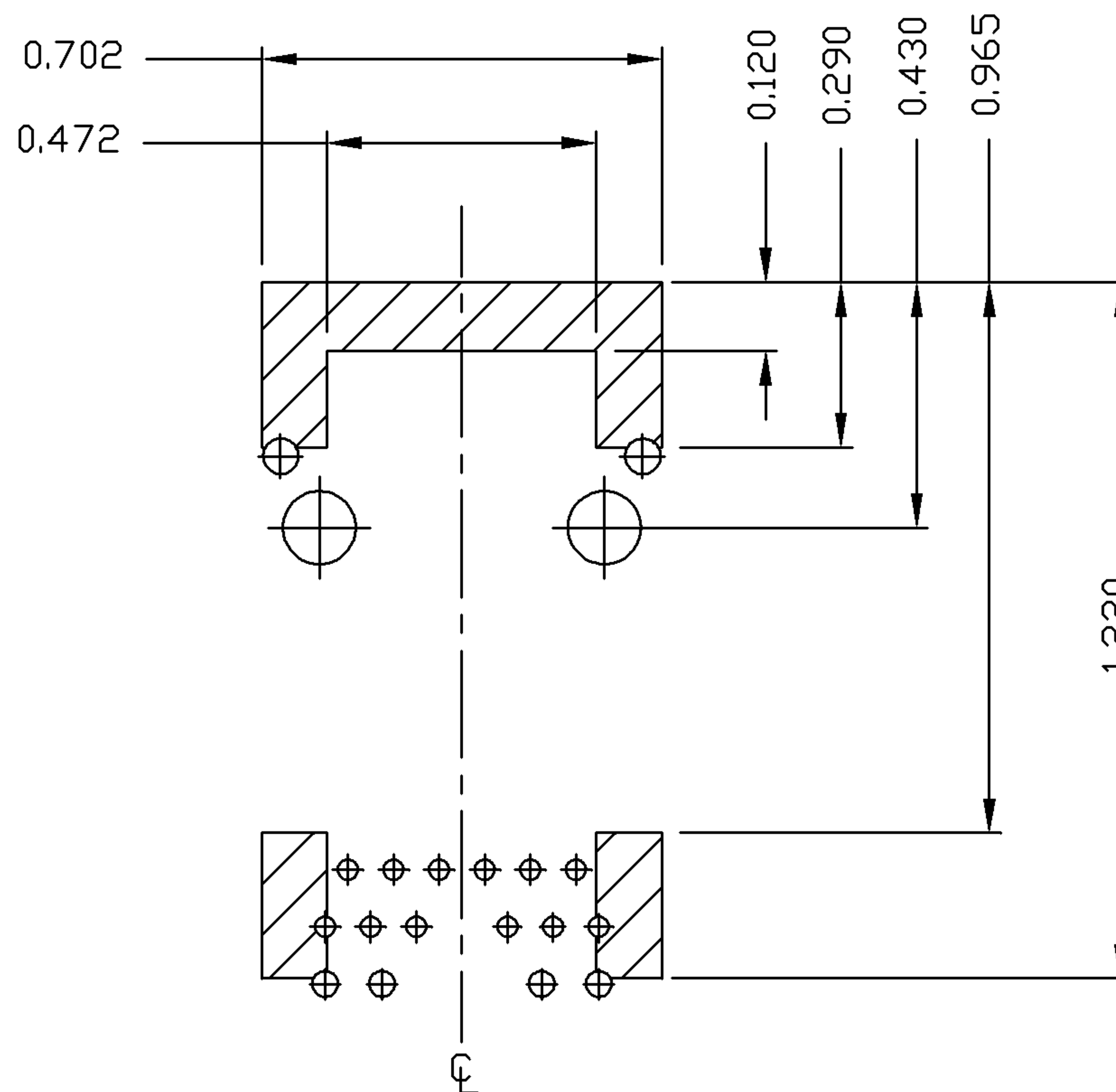
- PLASTIC HOUSING: THERMOPLASTIC PA
FLAMMABILITY RATING UL 94V-0
- CONTACTS: 50 MICRO-INCH HARD GOLD PLATING
- OUTPUT PINS: TIN-COATED COPPER WIRE, DIA 0.018 INCH.
- METAL SHIELD: NICKEL PLATED ON COPPER ALLOY.
(ALL GROUND LEADS ARE SOLDER DIPPED)

1. MARK PART WITH MFG LOGO, MFG NAME, PART NUMBER, AND DATE CODE.

2. RoHS COMPLIANCE, PER EU DIRECTIVE 2002/95/EC
JACK CAVITY CONFORMS TO FCC RULES AND REGULATIONS.

ORIGINATED BY ZX HUANG	DATE 07-31-08	TITLE gigabit MagJack® (8 cores, Tab Up)	PART NO. / DRAWING NO. 08261M1T43-F	STANDARD DIM. TOL. IN INCH .X .XX .XXX ±0.010	[] METRIC DIM. AS REFERENCE UNIT : INCH [mm] SCALE : N/A	REV. : C SIZE : A4 PAGE : 3	<p>COMPONENTS FOR A CONNECTED PLANET</p>
DRAWN BY BL CHEN	DATE 07-31-08	FILE NAME 08261M1T43-F_C.DWG					

THE INFORMATION CONTAINED HEREIN IS CONSIDERED "PROPRIETARY" TO BEL FUSE INC. AND SHALL NOT BE COPIED, REPRODUCED OR DISCLOSED WITHOUT THE WRITTEN APPROVAL OF BEL FUSE INC.



NOTES

THE SHADED AREA ON THE CUSTOMER BOARD ARE RECOMMENDED TO BE CLEAR OFF ANY VIA HOLE OR COMPONENT PAD.

ORIGINATED BY ZX HUANG	DATE 07-31-08	TITLE gigabit MagJack® (8 cores, Tab Up) 0826-1M1T-43-F	PART NO. / DRAWING NO. 08261M1T43-F	STANDARD DIM. TOL. IN INCH	[] METRIC DIM. AS REFERENCE
DRAWN BY BL CHEN	DATE 07-31-08		FILE NAME 08261M1T43-F_C.DWG	.X .XX .XXX	UNIT : INCH [mm] SCALE : N/A
				±0.004	REV. : C SIZE : A4 PAGE : 4

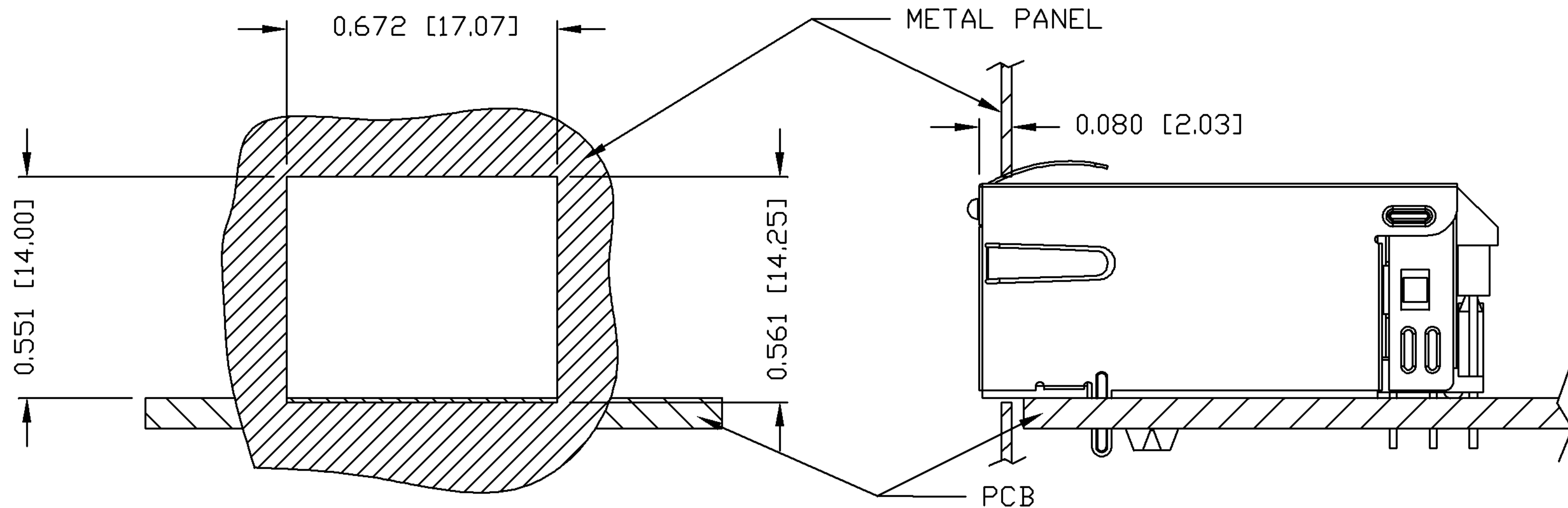


THE INFORMATION CONTAINED HEREIN IS CONSIDERED "PROPRIETARY" TO BEL FUSE INC. AND SHALL NOT BE COPIED, REPRODUCED OR DISCLOSED WITHOUT THE WRITTEN APPROVAL OF BEL FUSE INC.

RoHS
2002/95/EC



SUGGESTED PANEL OPENING



NOTE:

THE DISTANCE OF PANEL INSIDE SURFACE RELATIVE TO FRONT SURFACE OF PART IS ONLY A SUGGESTION. IN CASE THIS DISTANCE IS DIFFERENT, THE REQUIRED PANEL OPENING DIMENSIONS CHANGE ACCORDINGLY.

PACKING INFORMATION

PACKING TRAY : 0200-9999-F6 (TOP)
0200-9999-F7 (BOTTOM)

PACKING QUANTITY : 40 PCS FINISHED GOODS PER TRAY
10 TRAYS (400 PCS FINISHED GOODS) PER CARTON BOX

NOTE : CARDBOARDS ARE PLACED BETWEEN LAYERS OF PACKING TRAY INSIDE CARTON BOX
(INCLUDE THE UPPERMOST AND LOWERMOST TRAY)

ORIGINATED BY ZX HUANG	DATE 07-31-08	TITLE gigabit MagJack® (8 cores, Tab Up)	PART NO. / DRAWING NO. 08261M1T43-F	STANDARD DIM. TOL. IN INCH	[] METRIC DIM. AS REFERENCE	
	DRAWN BY BL CHEN		DATE 07-31-08	FILE NAME 08261M1T43-F_C.DWG	.X	UNIT : INCH [mm]
				.XX	SCALE : N/A	SIZE : A4
				.XXX ±0.004		PAGE : 5

