

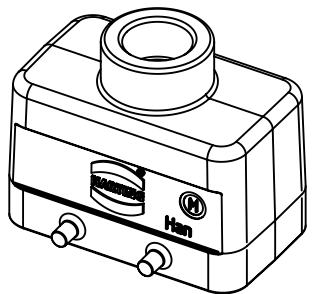
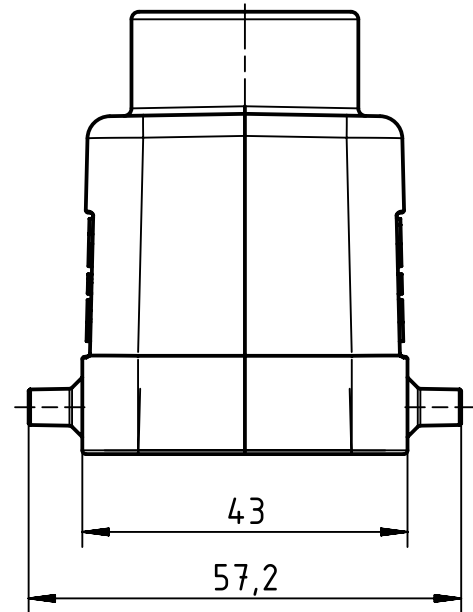
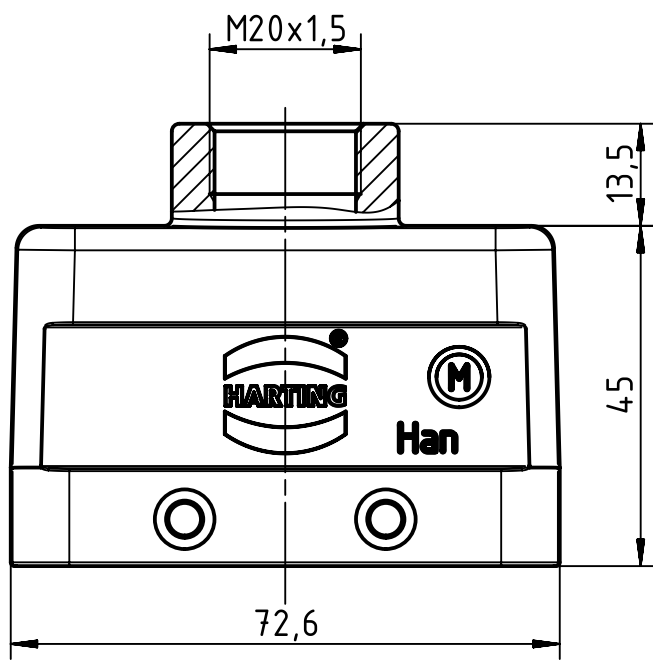
1 2 3 4 5 6


A

B

C

D



	All rights reserved Department EL PD - DE		Created by RULLKOETTER		Inspected by BERGHORN		Standardisation TIEMANNA		Date 2013-08-14		State Final Release		
	HARTING Electric GmbH & Co. KG D-32339 Espelkamp		Title Han 3HvE-gg-M20						Doc-Key / ECM-Nr. 100192204/UGD/004/A 500000065375		Rev. A		Page 1/1
All Dimensions in mm Original Size DIN A4			Scale 1:1		Free size tol.				Ref. Sub.				