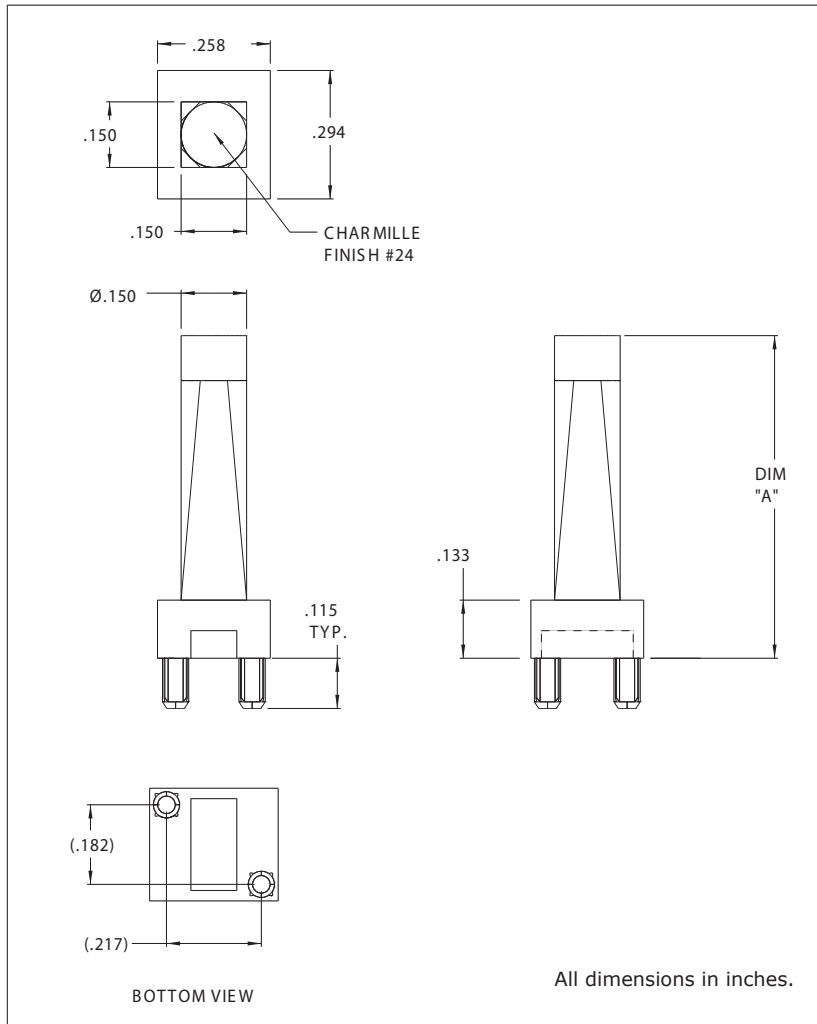


7511A87 Series Bright Pipes™ Optical Lightpipes

Description and Features



- Precision engineered with **ray tracing** for bright, optically precise even indication and attractive appearance.
- ESD protection from circuitry for exceptional reliability.
- Designed for use with 7016X Series Bright Chip LEDs.
- High contrast and wide viewing angle for greater visibility.
- Large lens provides high visibility.
- All dimensions in inches (mm).

PART NO.	DIM "A"
7511A87-500	.500
7511A87-450	.450
7511A87-400	.400
7511A87-350	.350
7511A87-300	.300
7511A87-250	.250