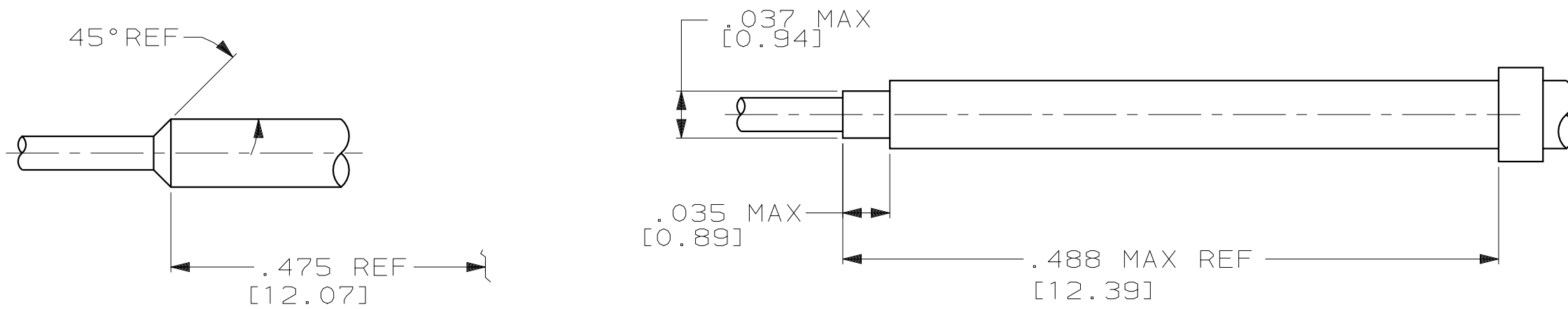
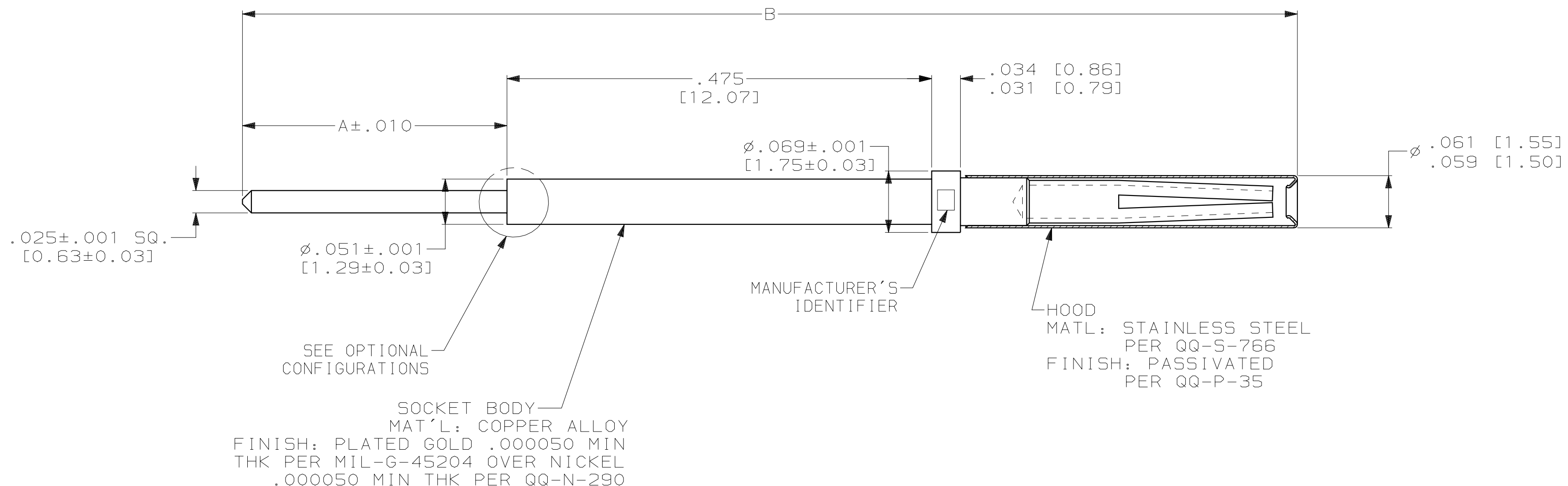


THIS DRAWING IS UNPUBLISHED. RELEASED FOR PUBLICATION, 19 .
 © COPYRIGHT 19 BY AMP INCORPORATED. ALL INTERNATIONAL RIGHTS RESERVED.

LOC		DIST		P		F		ZONE		LTR		REVISIONS		DATE	APPD	
DF	AO											G	REV PER 0H14-0053-03	CT	4-1-04	SG



OPTIONAL CONFIGURATIONS

1.425 ± .015 [36.20 ± 0.38]	.539 [13.69]	208215-3
1.295 ± .015 [32.89 ± 0.38]	.409 [10.39]	208215-2
1.175 ± .015 [29.85 ± 0.38]	.289 [7.34]	208215-1
B DIM	A DIM	PART NO.

DO NOT SCALE PRINT.
 UNLESS SPECIFIED
 DIMENSIONS IN INCHES [mm]
 TOLERANCES ON :
 2 PLC DEC ± -
 3 PLC DEC ± .005 [0.13]
 ANGLES ± -
 MATERIAL
 SEE CALLOUTS
 FINISH
 SEE CALLOUTS

DR 5-1-91
 C.C. THOMAS
 CHK 4-22-96
 A. SHARPE
 APPD 4-22-96
 A. SHARPE
 APPD 4-22-96
 C.C. THOMAS
 PRODUCT SPEC
 -
 APPLICATION SPEC
 -
 WEIGHT -

AMP AMP Incorporated Harrisburg, PA 17105-3608		
NAME ASSY, CONTACT, SOCKET, POSTED, ARINC 600		
SIZE C	CAGE CODE 00779	DRAWING NO 208215
SCALE 10:1	SHEET 1 OF 1	