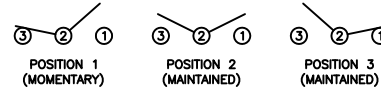


SCHEMATIC



SPECIFICATIONS

FUNCTION:
1P2T (ON)-OFF-ON

RATINGS:
ANSI/UL 1054 and CAN/CSA C22.2 No. 55 (E194579):
10A 125VAC [UR, cUR]
NOM-003-SCFI-2000 (200801C11357):
10A 125V~ [NOM]
6A 250V~ [NOM]
EN 61058-1:2002+A2 (SE/09138-2):
6(2)A 250V~ 1E4 μ T125/55 [ENEC14, SMEKO]

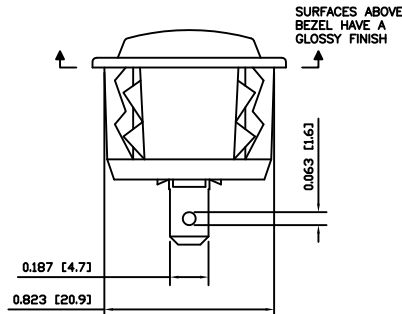
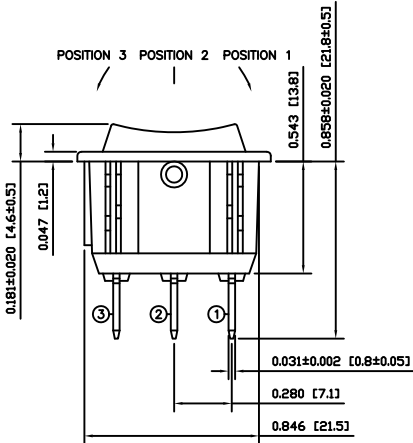
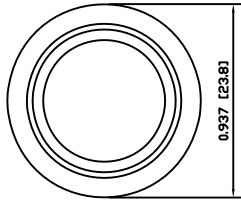
CONTACT RESISTANCE:
Initial: 35mΩ Max. at 50VAC

INSULATION RESISTANCE:
100MΩ Min. at 500VAC

DIELECTRIC STRENGTH:
1,500VAC For 1 Minute

ELECTRICAL LIFE:
6,000 Cycles [UR, cUR, NOM]
10,000 Cycles [ENEC14, SMEKO]

TEMPERATURE:
Operating: -20°C to 105°C [UR, cUR, NOM]
Operating: -20°C to 125°C [ENEC14, SMEKO]



COLORS AND MARKINGS

BODY:
Black

ACTUATOR:
Black

MARKING:
None

MARKING COLOR:
None

MATERIALS

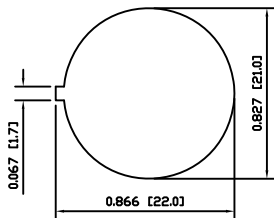
BODY:
Polyamide 6/6 (PA66), UL94 V-2

ACTUATOR:
Polyamide 6/6 (PA66), UL94 V-2

CONTACTS:
Silver Alloy Plated Copper

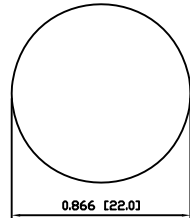
TERMINALS:
Silver Plated Copper

SUGGESTED PANEL CUTOUT



PANEL THICKNESS: 0.024~0.315 [0.6~8.0]

ALTERNATE PANEL CUTOUT



PANEL THICKNESS: 0.024~0.315 [0.6~8.0]

| | | | |
|----------------|------|----------|-----|
| ACTUATOR | A | 09/11/06 | CAB |
| BODY | A | 09/11/06 | CAB |
| COLORS | A | 09/11/06 | CAB |
| MATERIALS | A | 09/11/06 | CAB |
| SPECIFICATIONS | B | 11/05/09 | CAB |
| REFERENCE | REV. | DATE | BY |

THE INFORMATION CONTAINED IN THIS DOCUMENT IS PROPRIETARY TO E-SWITCH AND IS NOT TO BE COPIED OR TRANSFERRED

| | | | | |
|------|--|----------|----------|----------|
| B | CHANGED THE VDE APPROVAL TO SEMKO APPROVAL | 19931 | 11/05/11 | CAB |
| A | INITIAL RELEASE | PCRD0209 | 09/11/17 | CAB |
| REV. | DESCRIPTION | PCR | DATE | DRAWN BY |

| | |
|----------------------|------------|
| DIMENSIONS | |
| INCHES [MILLIMETERS] | |
| GENERAL TOLERANCES | |
| ±0.008 [±0.2] / ±1' | |
| SCALE | PROJECTION |
| DRAWING NOT TO SCALE | 1:1 |

| | | | |
|---------------------------|--------------|----------|--|
| | | | |
| <p>RRGA1C31100</p> | | | |
| ITEM NUMBER | DATE | REVISION | |
| 38-RRGA1C31100 | MAY 11, 2011 | B | |