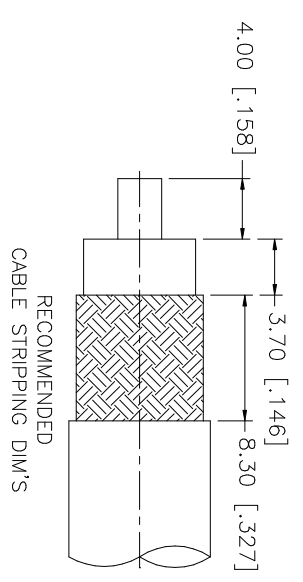
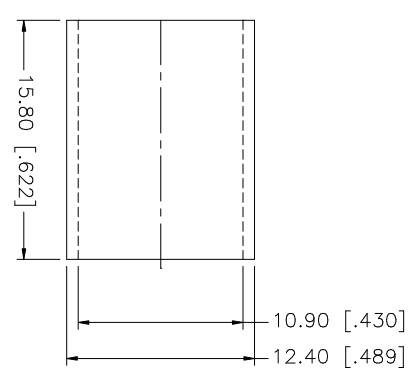
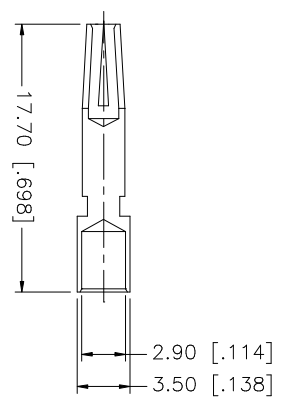
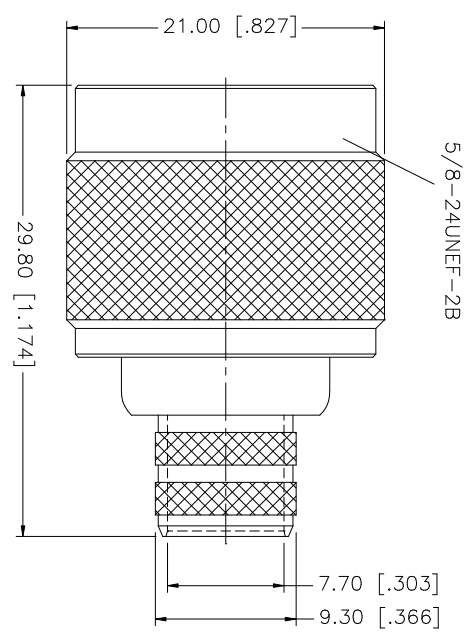


REV.	DATE	DESCRIPTION
A	01/30/04	UPDATE DRAWING FORMAT



- NOTE:
1. CRIMPED FERRULE
HEX CRIMP SIZE .429"
 2. CRIMPED CONTACT PIN
HEX CRIMP SIZE .118"

QTY	FINISH	MATERIAL	DESCRIPTION
1	NEXCOTE	BRASS	BODY
1	NATURAL	TEFLON	INSULATOR
1	GOLD	PHOS. BRONZE	CONTACT PIN
1	NEXCOTE	COPPER	FERRULE

UNLESS OTHERWISE SPECIFIED DIMENSIONS ARE IN INCHES AND FOR CUSTOMER REFERENCE ONLY.

UNLESS OTHERWISE SPECIFIED TOLERANCES FOR MILLIMETERS ARE:
0.3 - 30mm ± 0.20mm
30 - 120mm ± 0.50mm

UNLESS OTHERWISE SPECIFIED TOLERANCES FOR INCHES ARE:
.020 - .315 = ± 0.007"
.315 - 1.180 = ± 0.015"
1.180 - 4.724 = ± 0.020"

DO NOT SCALE DRAWING

APPROVALS	DATE
DRAWN G.R.S.	01/30/04
CHECKED	
ISSUED	
SHEET 1 OF 1	

CAD FILE C:/172/172102H243RP.DWG

DWG. NO.	REV.	SIZE	SCALE
172102H243RP.DWG	A	A	NA

PART DESCRIPTION
N CRIMP PLUG, REVERSE POLARIZED
BEIDEN 9913, 9914 BRAND REX H243 + LMR 400

PART NO. 172102H243RP

Amphenol Connex