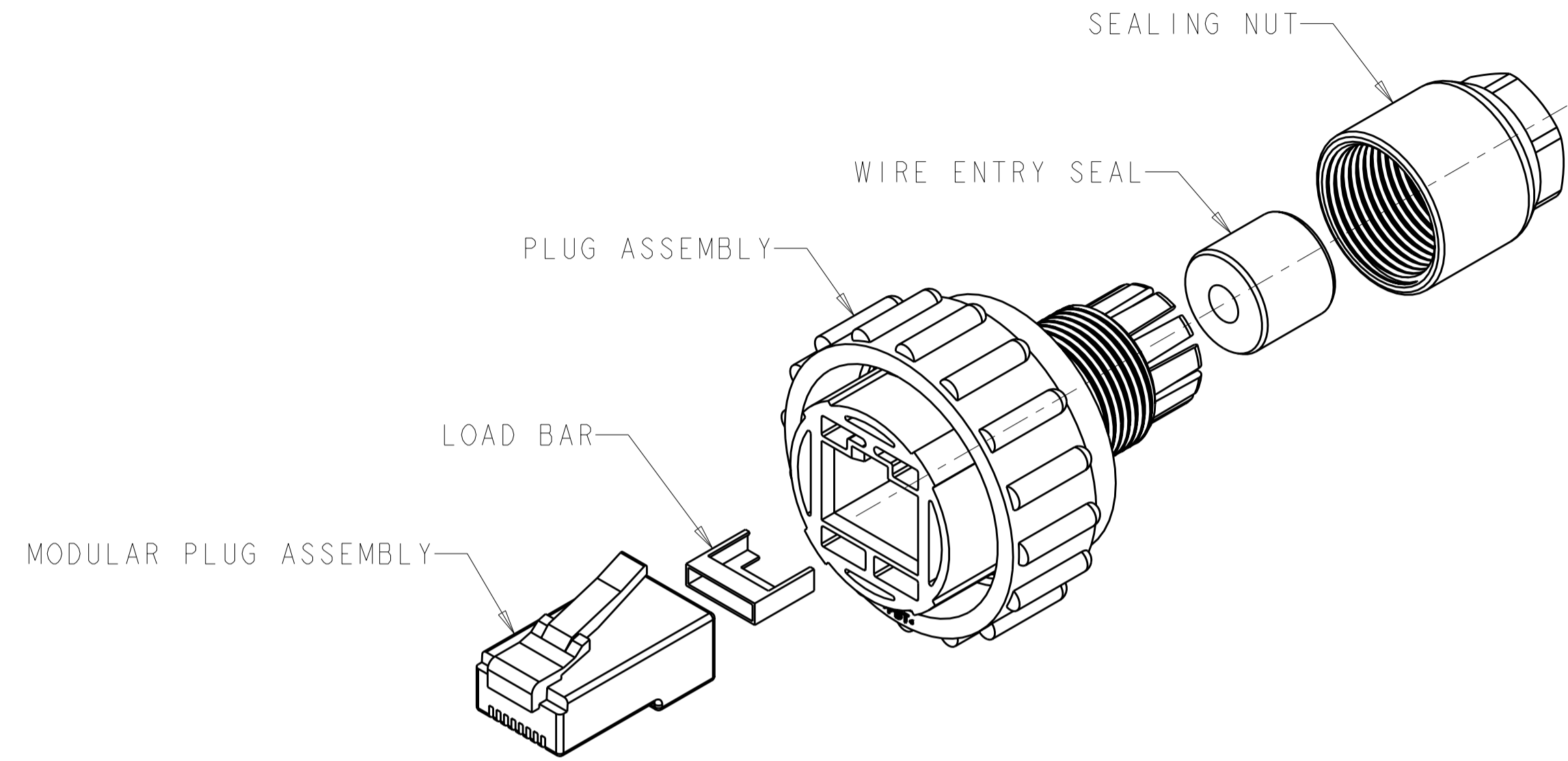
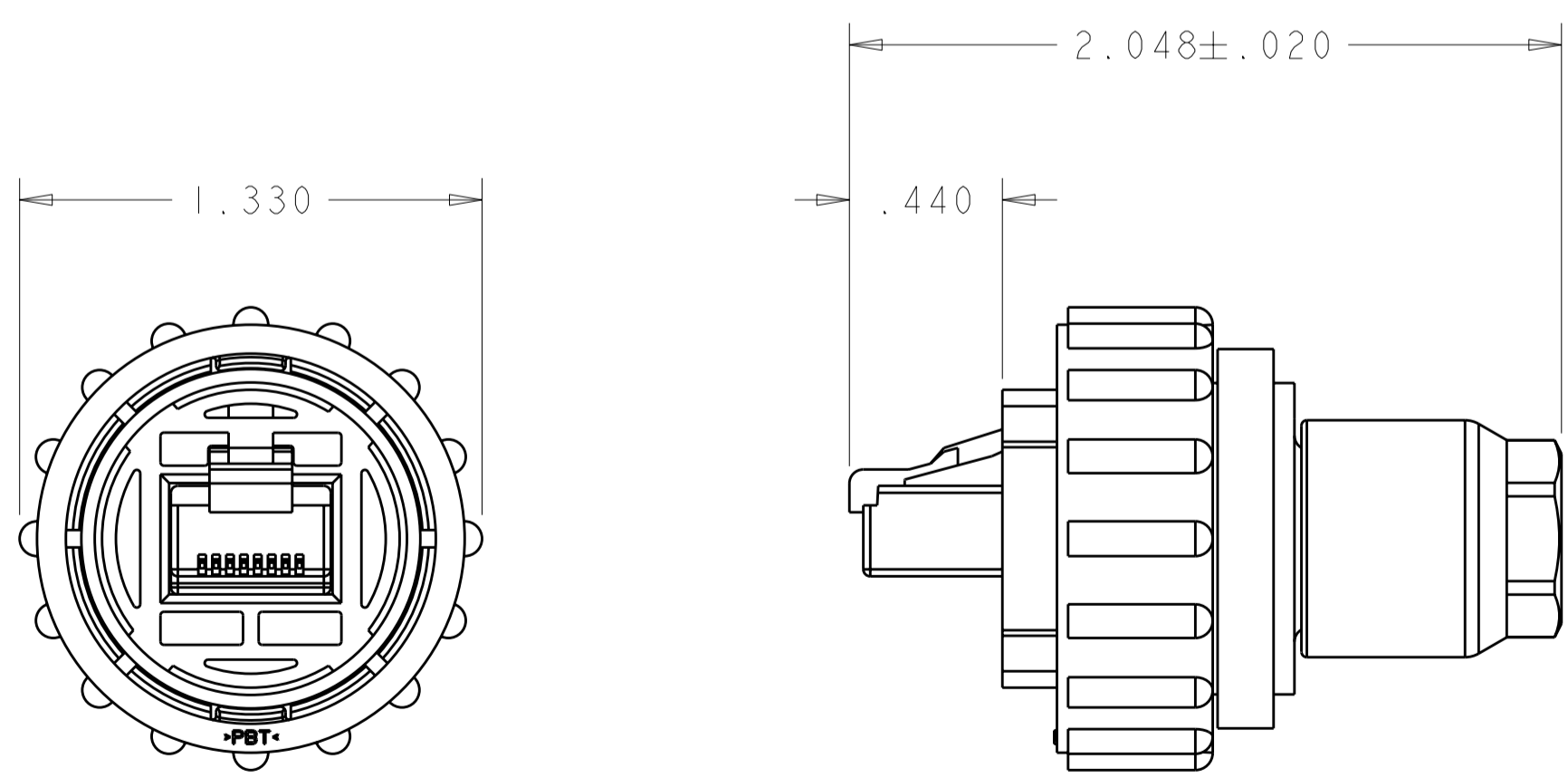


THIS DRAWING IS UNPUBLISHED. RELEASED FOR PUBLICATION 20
 © COPYRIGHT 20 BY TYCO ELECTRONICS CORPORATION. ALL RIGHTS RESERVED.

LOC		DIST		REVISIONS			
P	LTR	DESCRIPTION	DATE	DWN	APVD		
	A	REVISED EC 0G3B-0222-04	08MAR2004	SW	HW		
	B	REVISED ECO-07-009503	25APR2007	SW	MS		



- PARTS PACKAGED UNASSEMBLED.
- CABLE DIAMETER RANGE: .180[4.6]-.236[6.0].



ASSEMBLED VIEW

STRANDED	1546876-2
SOLID	1546876-1
WIRE TYPE	PART NUMBER

THIS DRAWING IS A CONTROLLED DOCUMENT FOR TYCO ELECTRONICS CORPORATION. IT IS SUBJECT TO CHANGE AND THE CONTROLLING ENGINEERING ORGANIZATION SHOULD BE CONTACTED FOR THE LATEST REVISION.		DWN	08MAR2004	Tyco Electronics Harrisburg, PA 17105-3608	
DIMENSIONS: INCHES		CHK	08MAR2004		
TOLERANCES UNLESS OTHERWISE SPECIFIED:		APVD	08MAR2004		
0 PLC ± 1 PLC ±0.1 2 PLC ±0.02 3 PLC ±0.005 4 PLC ±0.0005 ANGLES ± FINISH		PRODUCT SPEC			
MATERIAL		APPLICATION SPEC		NAME	
		WEIGHT		PLUG KIT, UNASSEMBLED, UNSHIELDED, CPC INDUSTRIAL ETHERNET	
		CUSTOMER DRAWING		SIZE	RESTRICTED TO
				A2	
				CAGE CODE	
				00779	
				DRAWING NO	
				1546876	
				SCALE	
				2:1	
				SHEET	
				1	
				OF	
				1	
				REV	
				B	