



## PRODUCT DATASHEET

### Leila series

last update 30/12/2016

## DETAILS

<b>Product Number</b>	CA14392_LXP2-O-WAS
<b>Family</b>	Leila
<b>Type</b>	Assembly
<b>Color</b>	black
<b>Diameter</b>	21,6 mm
<b>Height</b>	14,6 mm
<b>Style</b>	round
<b>Optic Material</b>	PMMA
<b>Holder Material</b>	
<b>Fastening</b>	tape
<b>Status</b>	production ready
<b>ROHS Compliant</b>	Yes
<b>Date Updated</b>	30/12/2016



## OPTICAL PROPERTIES

LED	Viewing Angle	Light Beam	Efficiency	cd/lm	Connector
XP-E2	asymmetric deg	Asymmetric	84 %	4.000	-
XP-L	asymmetric deg	Asymmetric	81 %	2.910	-

H G F E D C B A

4

4

3

3

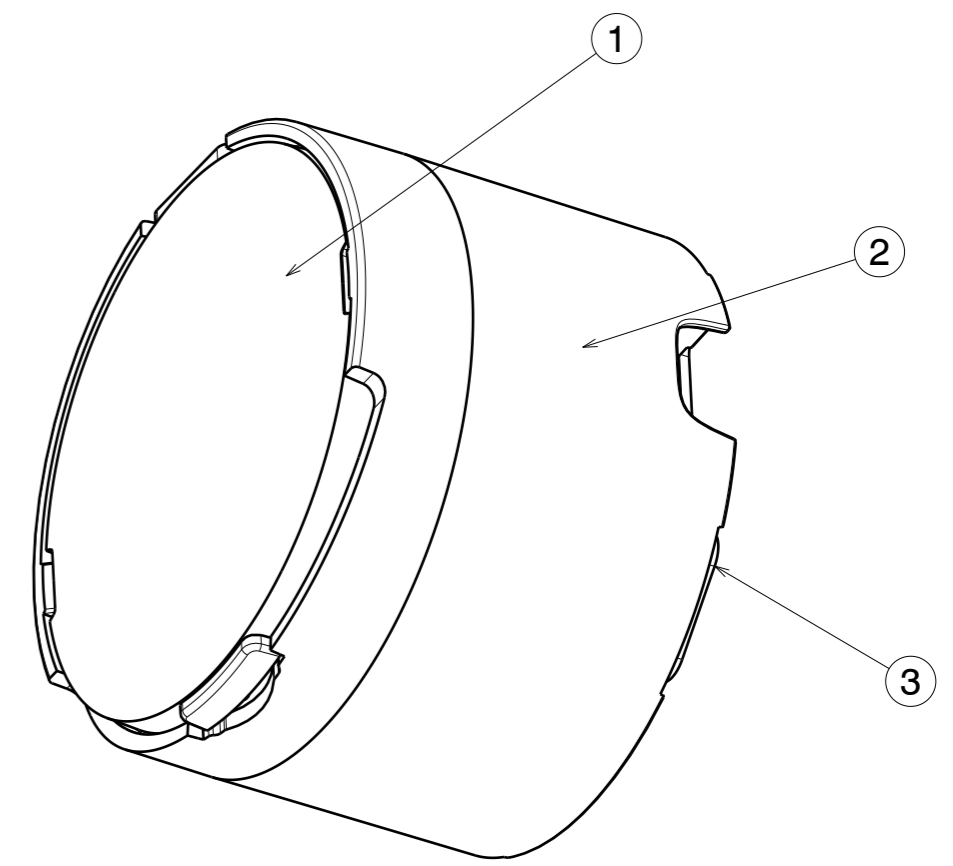
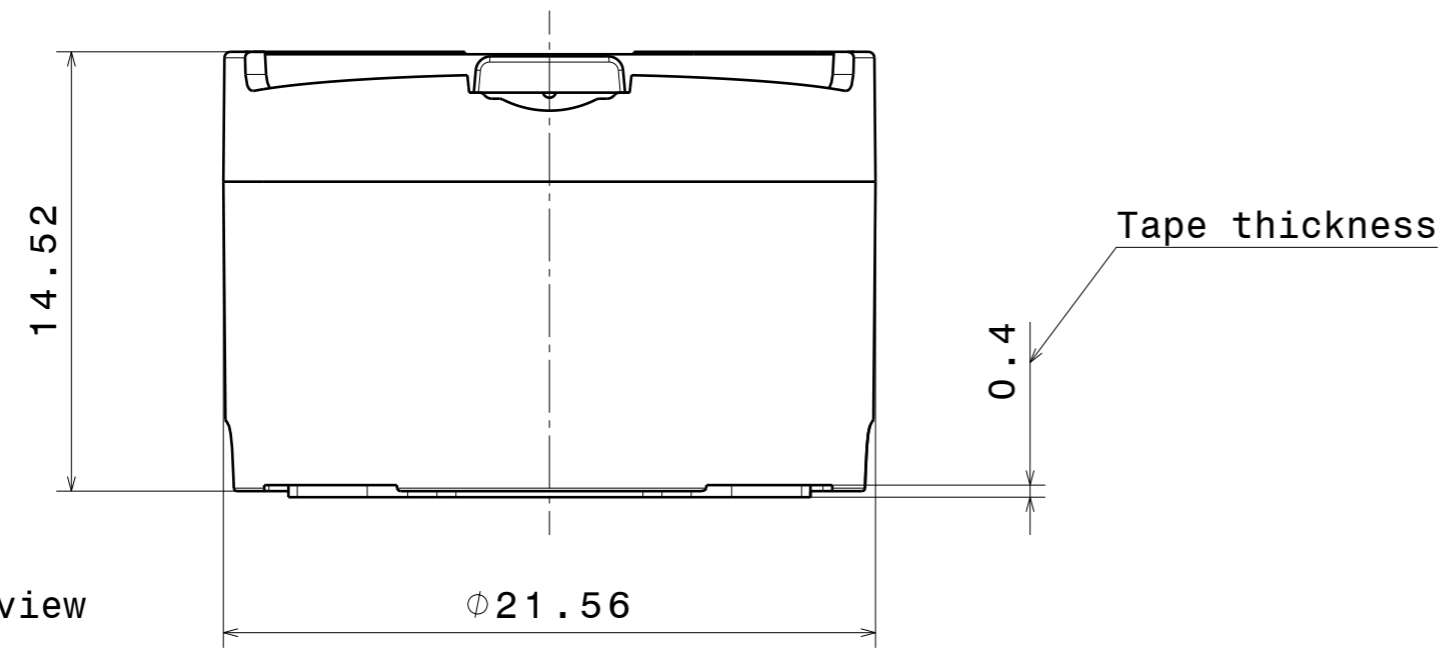
2

2

1

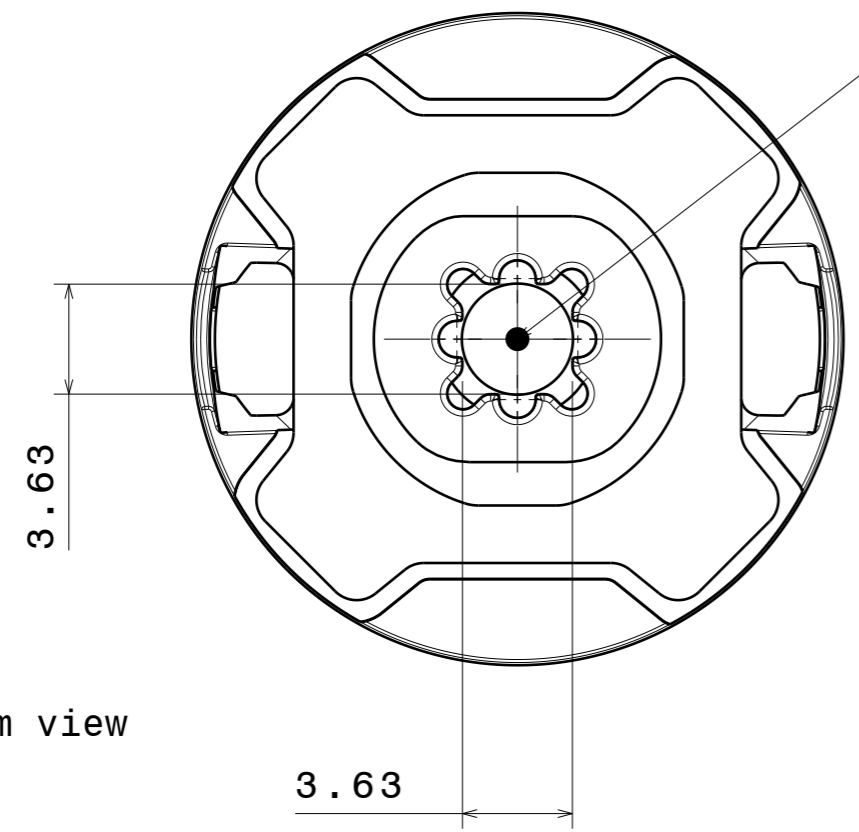
1

Front view



Isometric view

LED position



Bottom view

INDEX	PART NO	DESCRIPTION	MATERIAL	COLOUR
1	C14391	Lens	PMMA	Clear
2	C14389	Holder	PC	Black
3	C11269	Tape	PU	Black

Tolerances if not otherwise shown  
 According to DIN ISO 2768-1  
 Linear measures: class C  
 According to DIN ISO 2768-2  
 Form and position: class L

**LEDiL** LediL Oy  
 Salorankatu 10  
 FIN 24240 SALO  
 Finland

THIRD ANGLE PROJECTION:

DRAWING TITLE  
**CA14392\_LXP2-0-WAS**

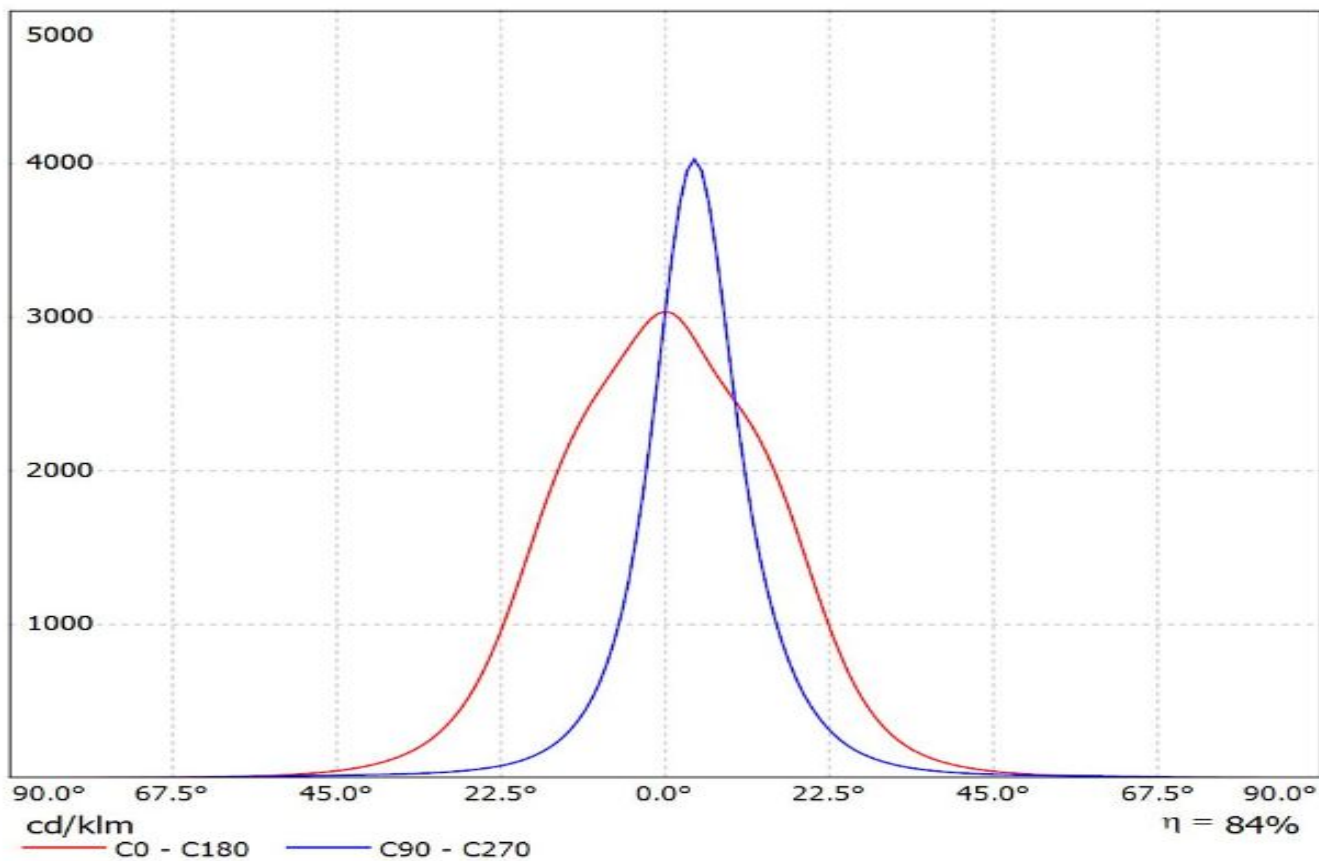
This drawing is the property of LEDiL Oy. It may not be reproduced, copied or communicated without a written agreement with LEDiL Oy.

SIZE	PART NUMBER
<b>A3</b>	<b>CA14392</b>

SCALE	4:1	WEIGHT	5,0 g	SHEET	1/1
-------	-----	--------	-------	-------	-----

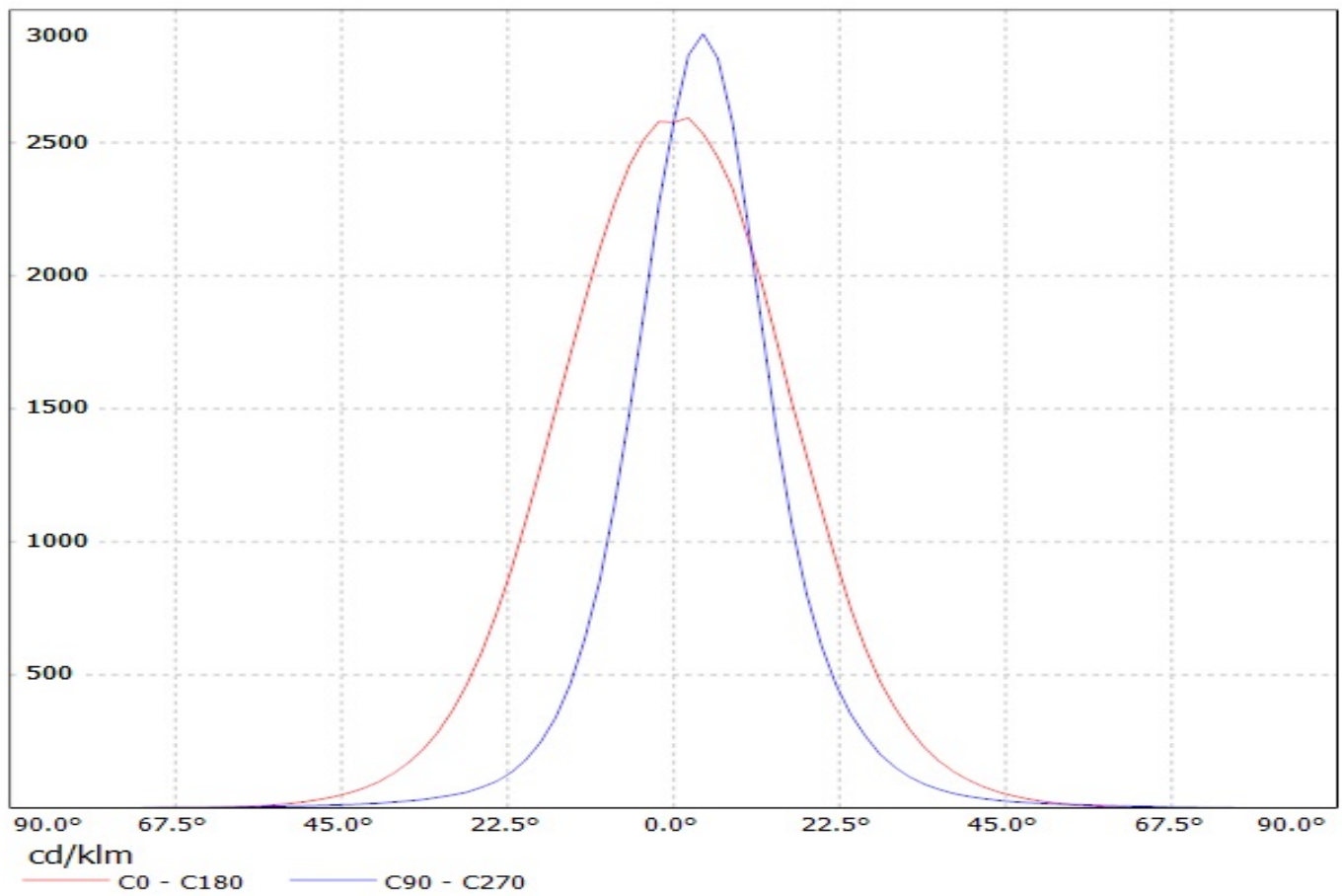
H G B A

Luminaire: LEDiL Oy CA14392\_LXP2-O-WAS\_(XP-E2)  
Lamps: 1 x Cree\_XP-E2\_85.4751lm@250mA\_P=0.765494W\_I=249.9mA

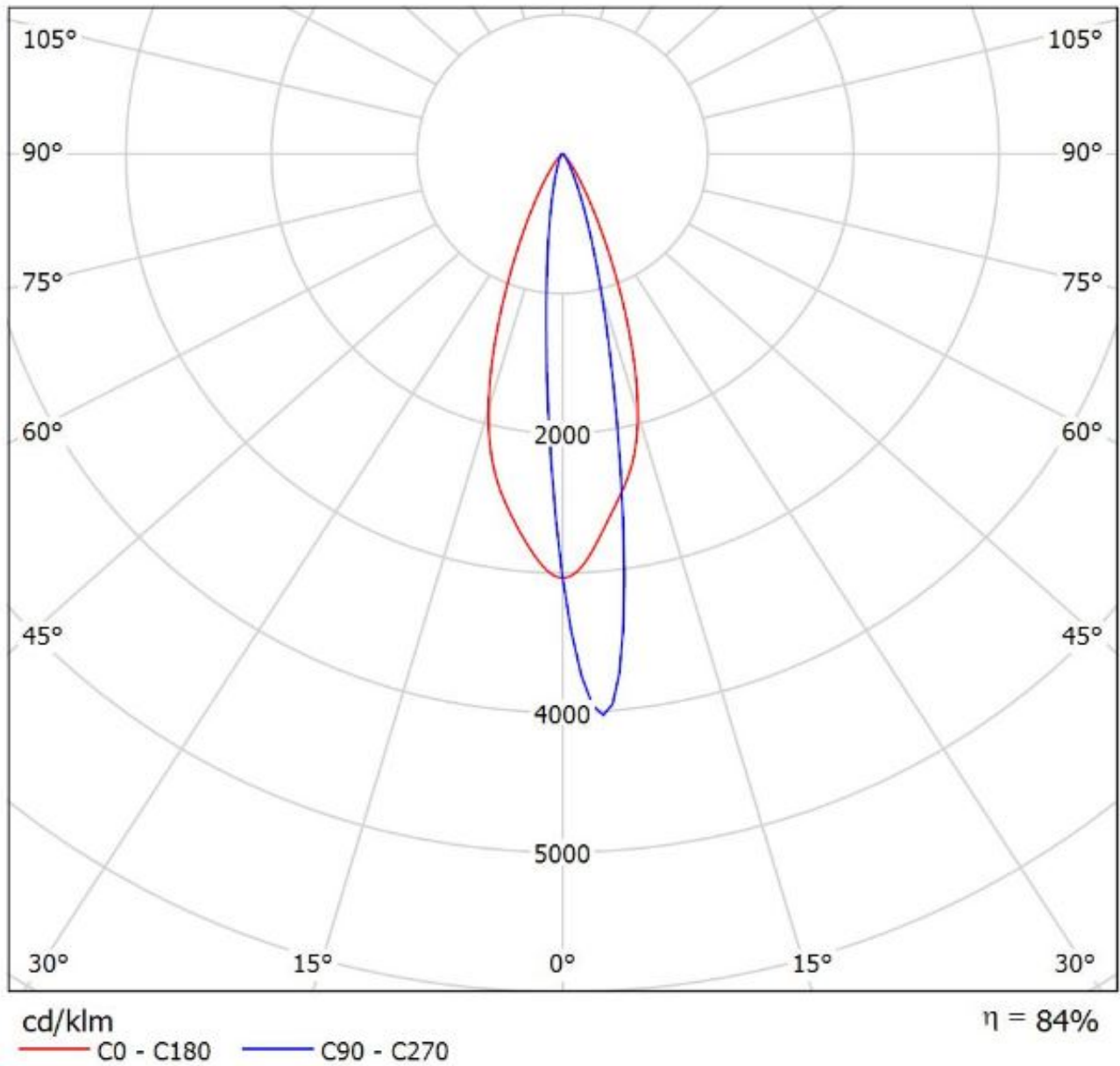


Luminaire: LEDil Oy CA14392\_LXP2-O-WAS\_(XP-L)

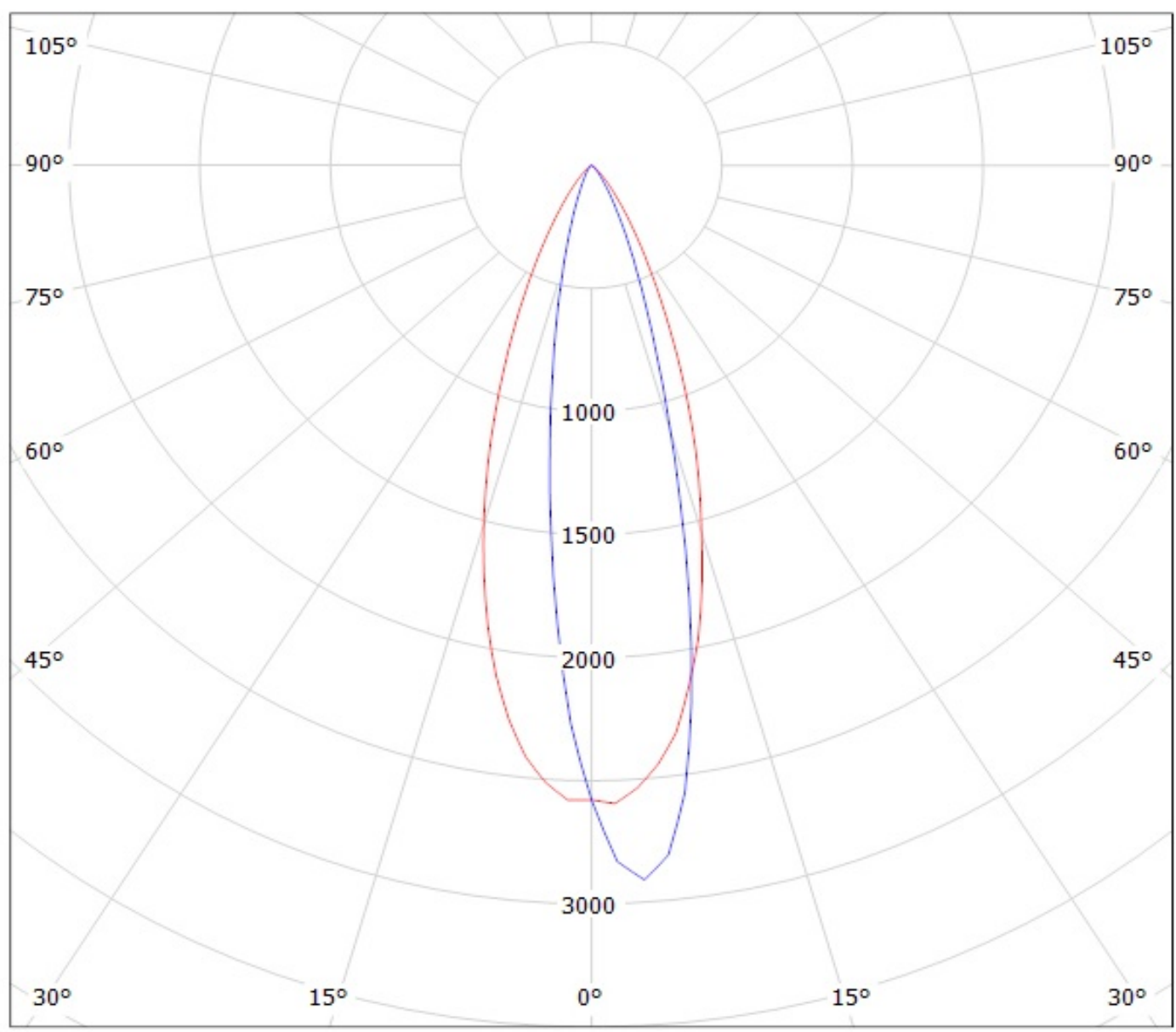
Lamps: 1 x Cree XP-L (XPLAWT-0-7A3-U50-0H-0001) 101.34lm @ 250mA CCT=3200K P=0.7W I=250mA



Luminaire: LEDiL Oy CA14392\_LXP2-O-WAS\_(XP-E2)  
Lamps: 1 x Cree\_XP-E2\_85.4751lm@250mA\_P=0.765494W\_I=249.9mA



Luminaire: LEDil Oy CA14392\_LXP2-O-WAS\_(XP-L)  
Lamps: 1 x Cree XP-L (XPLAWT-0-7A3-U50-0H-0001) 101.34lm @ 250mA CCT=3200K P=0.7W I=250mA



cd/klm  
— C0 - C180 — C90 - C270

**NOTE: The typical divergence will be changed by different color, chip size and chip position tolerance. The typical total divergence is the full angle measured where the luminous intensity is half of the peak value.**