



SANYO Semiconductors

DATA SHEET

An ON Semiconductor Company

Bi-CMOS IC LV5781 — 3A, Point-of-load, Chopper-type Step-down Converter

Overview

The LV5781 is a 1-channel chopper-type (low-side Schottky diode) step-down switching regulator. It incorporates an 80mΩ (typical) power MOSFET to achieve high-efficiency operation for 3A output currents.

The output voltage is set internally to 3.3V. By adding two external resistors, it is possible to set the voltage to any desired setting above 0.85V. Inrush current at startup can be prevented by the soft start function.

Using the ON/OFF pins, the converter can be set to standby mode in which the current consumption is 10μA or less. Both the load and the IC are protected by means of the overcurrent and thermal protection functions. The converter uses the HSSOP14 miniature package.

Functions

- 3A, 1-channel chopper-type, step-down switching regulator
- Output voltage: 3.3V
- Setting of any output voltage enabled (external resistors required)
- High efficiency: 90% at $I_{OUT}=1A$, $V_O=3.3V$
- Miniature package: HSSOP14
- Soft start function
- Standby mode
- Overcurrent protection
- Thermal shutdown
- Fixed frequency: 180kHz

Applications

- LCD TVs
- Game machines

■ Any and all SANYO Semiconductor Co.,Ltd. products described or contained herein are, with regard to "standard application", intended for the use as general electronics equipment (home appliances, AV equipment, communication device, office equipment, industrial equipment etc.). The products mentioned herein shall not be intended for use for any "special application" (medical equipment whose purpose is to sustain life, aerospace instrument, nuclear control device, burning appliances, transportation machine, traffic signal system, safety equipment etc.) that shall require extremely high level of reliability and can directly threaten human lives in case of failure or malfunction of the product or may cause harm to human bodies, nor shall they grant any guarantee thereof. If you should intend to use our products for applications outside the standard applications of our customer who is considering such use and/or outside the scope of our intended standard applications, please consult with us prior to the intended use. If there is no consultation or inquiry before the intended use, our customer shall be solely responsible for the use.

■ Specifications of any and all SANYO Semiconductor Co.,Ltd. products described or contained herein stipulate the performance, characteristics, and functions of the described products in the independent state, and are not guarantees of the performance, characteristics, and functions of the described products as mounted in the customer's products or equipment. To verify symptoms and states that cannot be evaluated in an independent device, the customer should always evaluate and test devices mounted in the customer's products or equipment.

SANYO Semiconductor Co., Ltd.

TOKYO OFFICE Tokyo Bldg., 1-10, 1 Chome, Ueno, Taito-ku, TOKYO, 110-8534 JAPAN

Specifications

Absolute Maximum Ratings at $T_a=25^\circ\text{C}$

Parameter	Symbol	Conditions	Ratings	Unit
Maximum input voltage	V_{IN} max		6.5	V
Maximum CBOOT pin voltage	VBT max		13	V
Maximum SW pin voltage	VSW max		6.5	V
Maximum voltage between CBOOT and SW pins	VBS max		6.5	V
Maximum voltage at FB, SS, and ENABLE pins	Vfs max		6.5	V
Junction temperature	T_j max		125	$^\circ\text{C}$
Allowable power dissipation	P_d max	Mounted on a circuit board *1	0.85	W
Operating temperature range	T_{opr}		-30 to +80	$^\circ\text{C}$
Storage temperature range	T_{stg}		-40 to +125	$^\circ\text{C}$

*1: Mounted on a specified board: 114.3mm×76.1mm×1.6mm, glass epoxy.

*2: To ensure that the maximum voltage is not exceeded even for an instant, check that the coil voltage and other surge voltage levels are factored in.

Recommended Operating Conditions at $T_a=25^\circ\text{C}$

Parameter	Symbol	Conditions	Ratings	Unit
V_{IN} pin voltage	V_{IN}		4.5 to 6	V
CBOOT pin voltage	VBT		0 to 6	V
SW pin voltage	VSW		6	V
FB, SS, and ENABLE pin voltage	VFSO		6	V

Electrical Characteristics at $T_a=25^\circ\text{C}$, $V_{IN}=5\text{V}$ (Unless specifically specified)

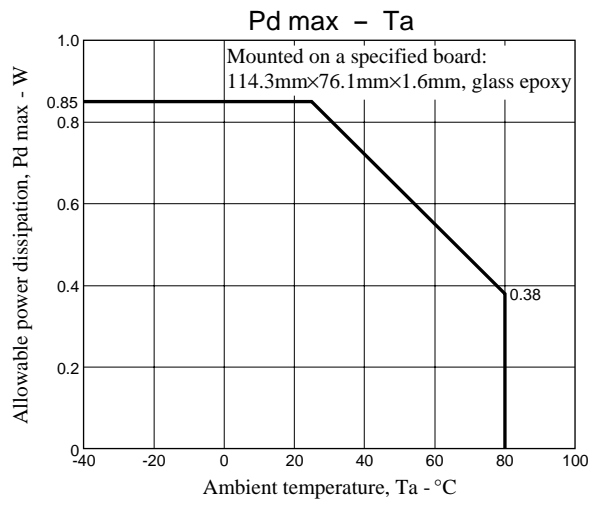
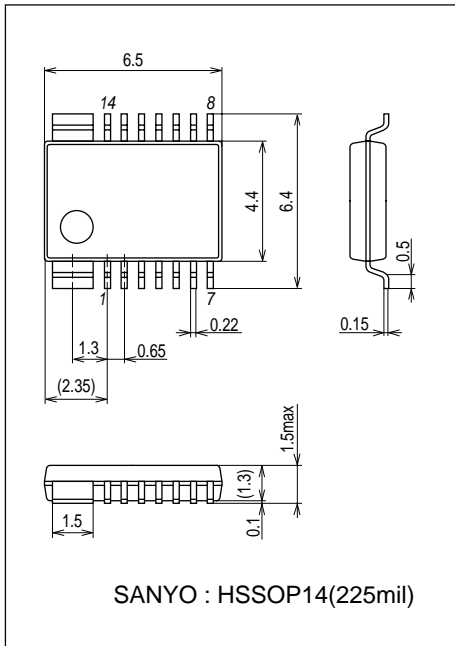
Parameter	Symbol	Conditions	Ratings			Unit
			min	typ	max	
Output voltage 1	V_{OUT1}	FB2 pin selected	3.2	3.3	3.4	V
Output voltage 2	V_{OUT2}	Dependent on the external voltage divider	0.85			V
Standby mode IC consumption current	I_{CC1}	ENABLE=0V		1	10	μA
Operating time IC consumption current	I_{CC2}	ENABLE=3V		2	5	mA
ENABLE high level voltage	VENH		3			V
ENABLE low level voltage	VENL				0.7	V
Efficiency	Effcy	$I_{OUT}=1\text{A}$, $V_O=3.3\text{V}$		90		%
Reference voltage	V_{ref}	$V_{IN}=4.5\text{V}$ to $6\text{V}(\pm 2\%)$	0.76	0.8	0.84	V
FB pin bias current	I_{ref}			50	200	nA
On resistance	R_{on}	CBOOT=5V		80		$\text{m}\Omega$
Soft start current	ISS		3	6.5	13	μA
Oscillation frequency	F_{osc}		145	180	225	kHz
Maximum on duty ratio	D max		85			%
Current limiting value	I_{cl}		4.1			A
Under voltage detection	V_I		3.3	3.7	4.2	V
Under voltage detection hysteresis	V_{lh}		0.15	0.185	0.25	V
Thermal shutdown temperature	T_{tsd}	Design guarantee value*		180		$^\circ\text{C}$
Thermal shutdown temperature hysteresis	D_{tsd}	Design guarantee value*		20		$^\circ\text{C}$

*These are design guarantee values and no measurements are made.

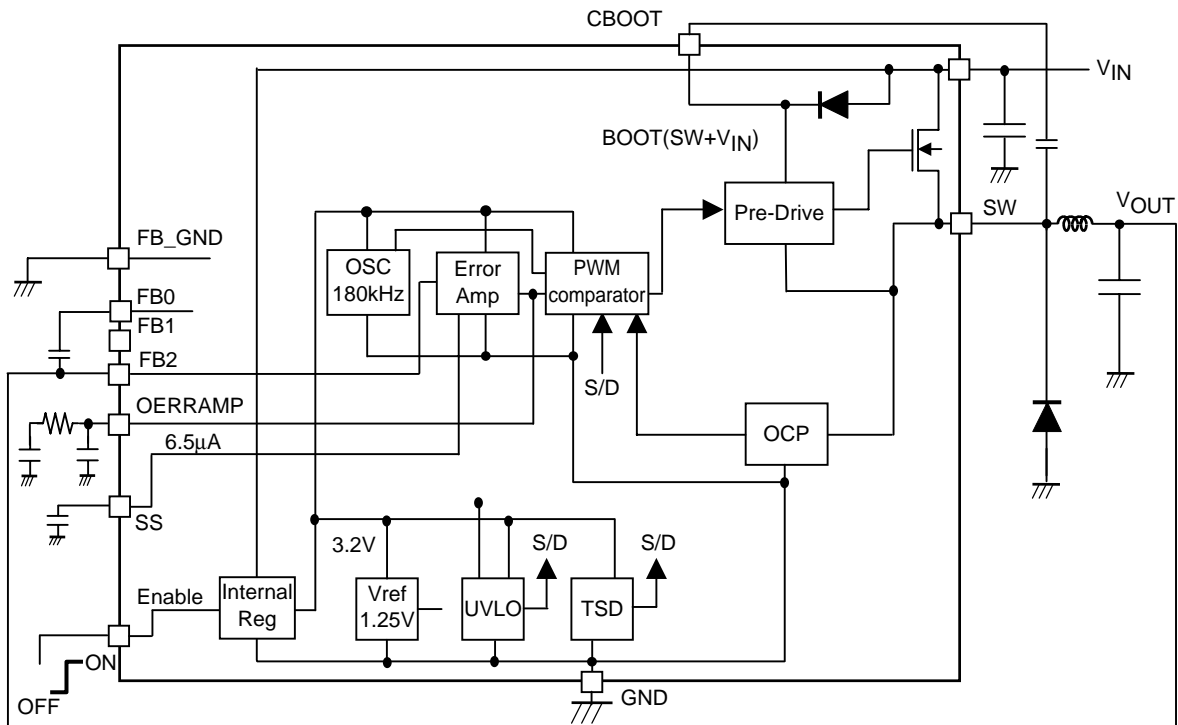
Package Dimensions

unit : mm (typ)

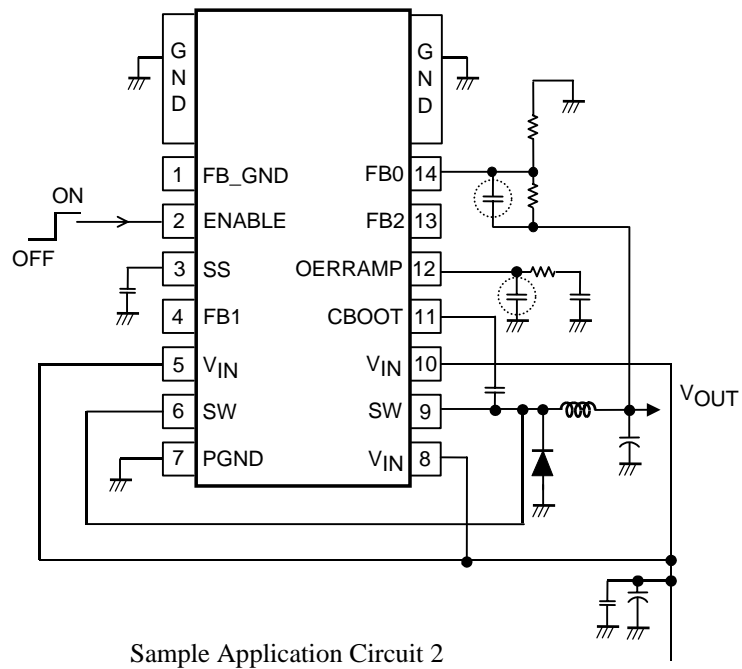
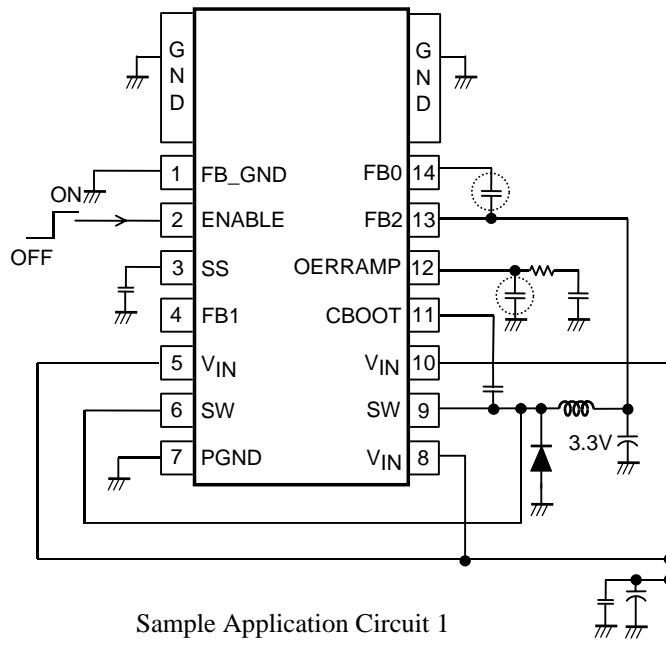
3313



Block Diagram and Sample Application Circuits



Pin Assignment and Sample Application Circuits



*The capacitor between the FB0 and V_{OUT} pins and capacitor between the OERRAMP pin and GND (the capacitors shown inside the broken lines in the diagram) are used for phase compensation. Their capacitance is intended to stop oscillation when oscillation is caused by the status of the output capacitor. As such, they can be left open under normal circumstances.

LV5781

Pin Functions

Pin No.	Pin name	Description
1	FB_GND	GND of output voltage setting pins FB0 and FB2. It is connected to GND for use when pin FB2 is used.
2	ENABLE	Output ON/OFF with an active-high polarity. When set to L, the current consumption is reduced to 10 μ A or less.
3	SS	Soft start time constant setting. The charge current is set to approx. 6.5 μ A and when a capacitor of 0.1 μ F is connected between this pin and GND, the output rises in approx. 12ms.
4	FB1	Test pin for verifying the internal reference voltage. It must be set to open for actual use.
5, 8, 10	V _{IN}	Power input. It is used with voltages ranging from 4.5V to 6V.
6, 9	SW	Inductor drive output
7	PGND	Power GND pin. This is the output GND. It is connected so that where at all possible, no impedance is shared with other GND pins (GND, FB_GND).
11	CBOOT	For generating the gate voltage of the internal high-side n-channel MOS transistor. A capacitor with a capacitance of at least 0.1 μ F (max. 2.2 μ F) is connected between this pin and the SW pin for use.
12	OERRAMP	Transconductance-type Error_Amp output. An integration constant is provided between this pin and GND to implement phase compensation.
13	FB2	Used to feed back the output voltage to this pin when the output voltage is to be set to 3.3V. In such a case, FB_GND is connected to GND. Refer to application circuit 1.
14	FB0	When the output voltage is to be set to a desired value, connect resistors between FB0 and GND and between FB0 and V _{OUT} to feed back the output voltage to this pin. In such a case, leave FB_GND and FB2 open. Refer to application circuit 2.
Heat sink fin	GND	Analog GND (connected to GND).

Input Equivalent Circuits

Pin No.	Pin Name	Equivalent Circuit
5, 8, 10	GND V _{IN}	
1 4 13 14	FB_GND FB1 FB2 FB0	

Continued on next page

LV5781

Continued from preceding page

Pin No.	Pin Name	Equivalent Circuit
2	ENABLE	
3	SS	
6, 9 7 11	SW PGND CBOOT	
12	OERRAMP	

- SANYO Semiconductor Co.,Ltd. assumes no responsibility for equipment failures that result from using products at values that exceed, even momentarily, rated values (such as maximum ratings, operating condition ranges, or other parameters) listed in products specifications of any and all SANYO Semiconductor Co.,Ltd. products described or contained herein.
- SANYO Semiconductor Co.,Ltd. strives to supply high-quality high-reliability products, however, any and all semiconductor products fail or malfunction with some probability. It is possible that these probabilistic failures or malfunction could give rise to accidents or events that could endanger human lives, trouble that could give rise to smoke or fire, or accidents that could cause damage to other property. When designing equipment, adopt safety measures so that these kinds of accidents or events cannot occur. Such measures include but are not limited to protective circuits and error prevention circuits for safe design, redundant design, and structural design.
- In the event that any or all SANYO Semiconductor Co.,Ltd. products described or contained herein are controlled under any of applicable local export control laws and regulations, such products may require the export license from the authorities concerned in accordance with the above law.
- No part of this publication may be reproduced or transmitted in any form or by any means, electronic or mechanical, including photocopying and recording, or any information storage or retrieval system, or otherwise, without the prior written consent of SANYO Semiconductor Co.,Ltd.
- Any and all information described or contained herein are subject to change without notice due to product/technology improvement, etc. When designing equipment, refer to the "Delivery Specification" for the SANYO Semiconductor Co.,Ltd. product that you intend to use.
- Information (including circuit diagrams and circuit parameters) herein is for example only; it is not guaranteed for volume production.
- Upon using the technical information or products described herein, neither warranty nor license shall be granted with regard to intellectual property rights or any other rights of SANYO Semiconductor Co.,Ltd. or any third party. SANYO Semiconductor Co.,Ltd. shall not be liable for any claim or suits with regard to a third party's intellectual property rights which has resulted from the use of the technical information and products mentioned above.

This catalog provides information as January, 2007. Specifications and information herein are subject to change without notice.