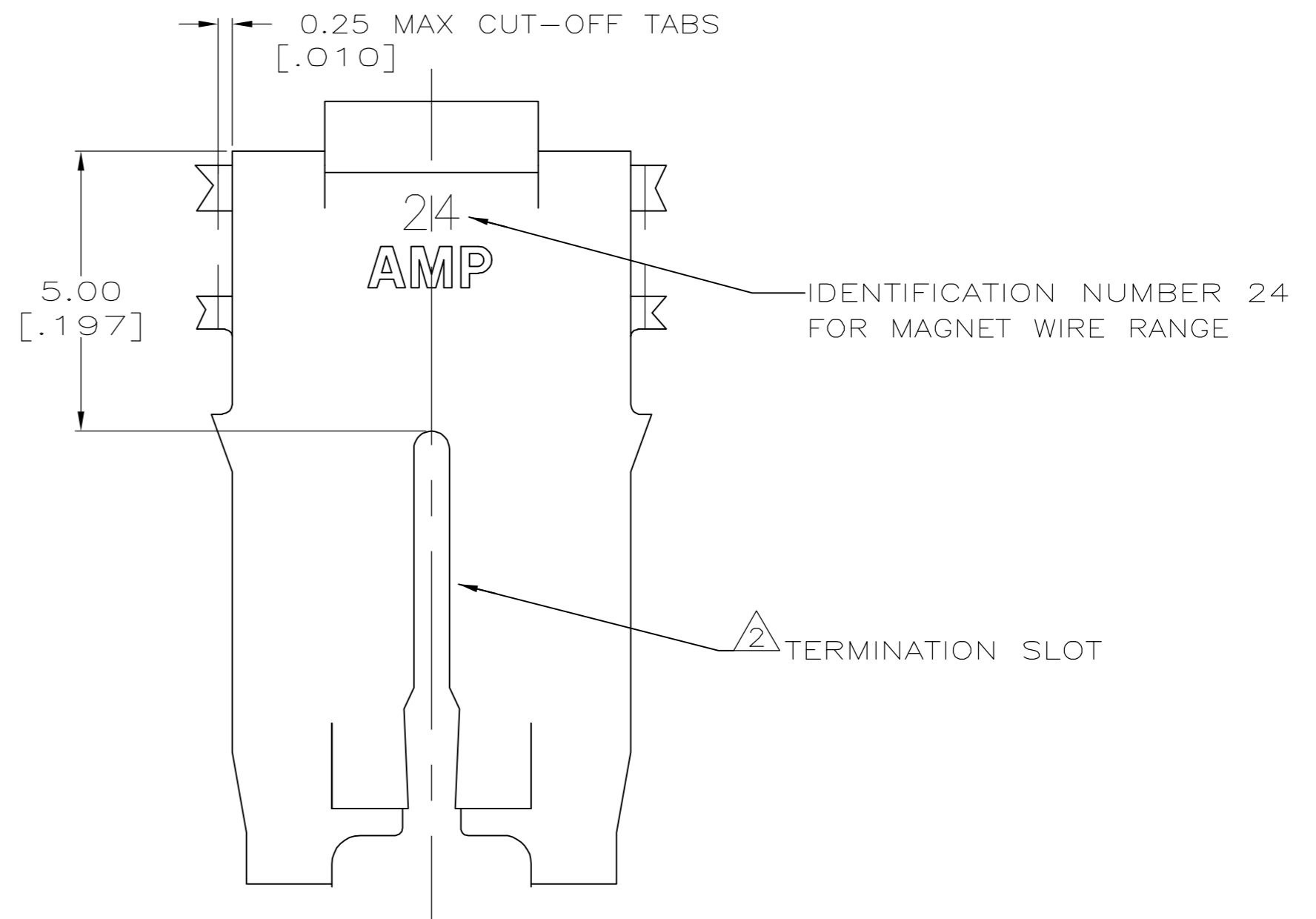
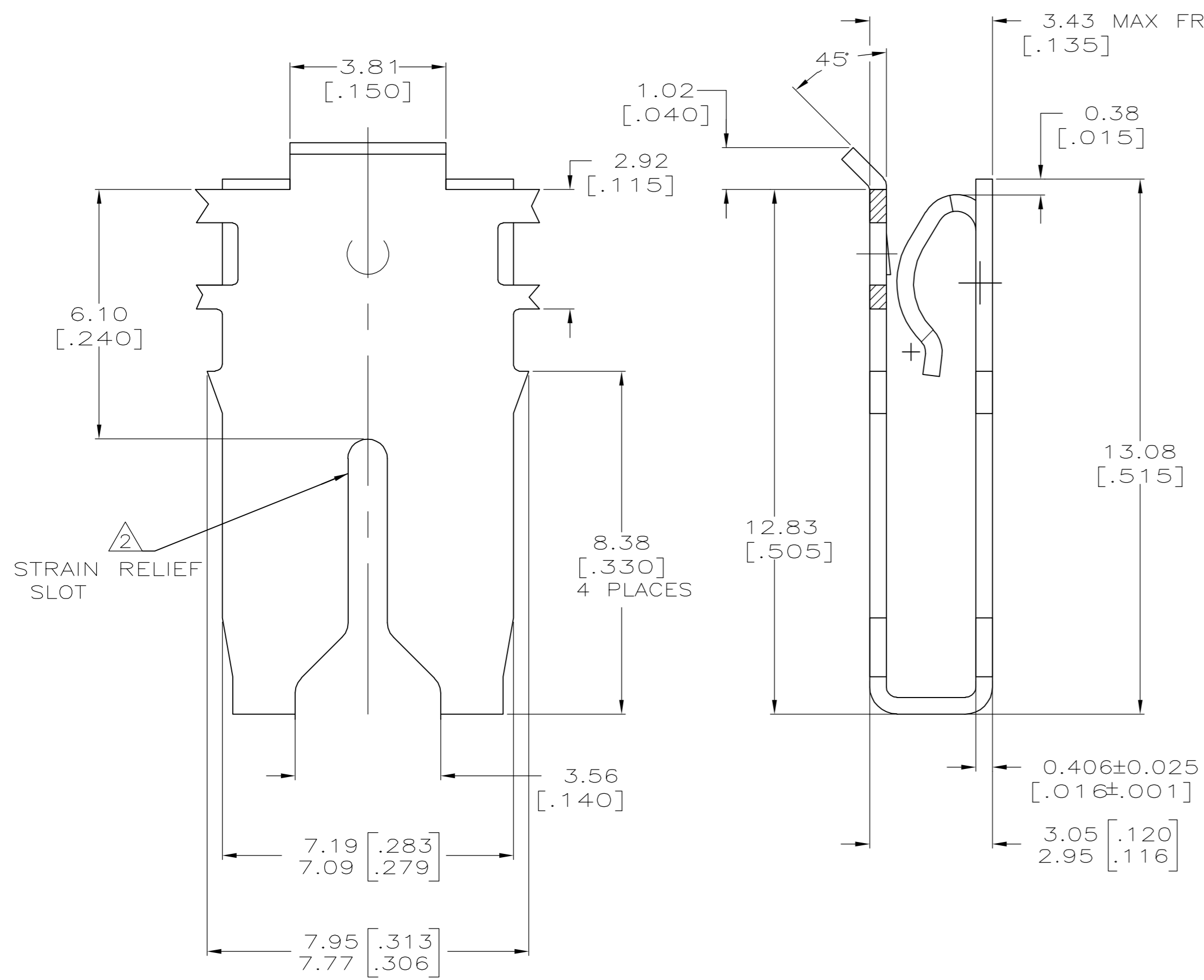
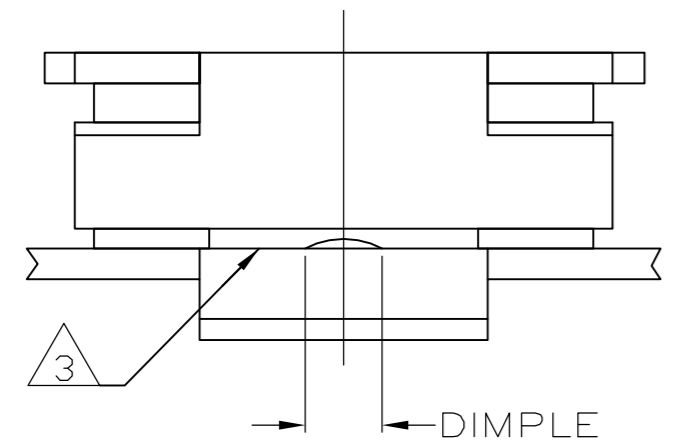


THIS DRAWING IS UNPUBLISHED. RELEASED FOR PUBLICATION
 © COPYRIGHT BY TYCO ELECTRONICS CORPORATION. ALL RIGHTS RESERVED.

LOC		DIST		REVISIONS			
AF	50	P	LTR	DESCRIPTION	DATE	DWN	APVD
		B1		CREATED PER ECR-07-002951	12FEB07	MF	KR

- 1 CONTINUOUS STRIP ON REELS WITH TERMINALS LOCATED ON 10.4±0.08[.410±.003] CENTERS.
- 2 SLOT ACCEPTS 0.91-1.15mm [#19-#17] AWG COPPER MAGNET WIRE. 2 WIRES OF THE SAME SIZE MAX PER SLOT.
- 3 CONTACT LEAF ACCEPTS 0.81[.032] THICK POKE-IN TAB, (REFERENCE TAB DRAWING 1217324-1).
- 4 0.002032 [.000080] MIN TIN PLATE OVER 0.00127 [.000050] MIN NICKEL UNDERPLATE.



1217356-1
PART NUMBER

THIS DRAWING IS A CONTROLLED DOCUMENT.		DWN	12FEB2007	MICHAEL S. FEHER		tyco Tyco Electronics Corporation	
DIMENSIONS: mm[INCHES]		CHK	12FEB2007	KURT A. RANDOLPH		Harrisburg, PA 17105-3608	
TOLERANCES UNLESS OTHERWISE SPECIFIED:		APVD	12FEB2007	KURT A. RANDOLPH		NAME	
0 PLC	± -	PRODUCT SPEC		108-2053		SPECIAL LEAF CONTACT, 500 SERIES MAG-MATE	
1 PLC	± -	APPLICATION SPEC		114-2066		SIZE	
2 PLC	± 0.25[.010]	MATERIAL		4M BRASS		CAGE CODE	
3 PLC	± -	FINISH		4-		DRAWING NO	
4 PLC	± -	MATERIAL		4M BRASS		RESTRICTED TO	
ANGLES	± -	WEIGHT		-		A2 00779 C=1217356	
FINISH	4-	CUSTOMER DRAWING		SCALE 10:1		SHEET 1 of 1	
						REV B1	