

THE INFORMATION CONTAINED HEREIN IS CONSIDERED "PROPRIETARY" TO BEL FUSE INC. AND SHALL NOT BE COPIED, REPRODUCED OR DISCLOSED WITHOUT THE WRITTEN APPROVAL OF BEL FUSE INC.

RoHS  
2002/95/EC



LED1 POLARITY			LED2 POLARITY		
PIN 13	PIN 14	COLOR	PIN 15	PIN 16	COLOR
-	+	YELLOW	+	-	ORANGE
/	/	/	-	+	GREEN

**ELECTRICAL CHARACTERISTICS @ 25°C**

**URNS RATIO**

TP1	1CT : 1CT ±2%
TP2	1CT : 1CT ±2%
TP3	1CT : 1CT ±2%
TP4	1CT : 1CT ±2%

**DCL @ 100kHz/100mVRMS**

8mA DC BIAS 350µH MIN.

**INS. LOSS**

0.1MHz TO 1MHz	-1.1 dB MAX
1MHz TO 65MHz	-0.5 dB MAX
65MHz TO 100MHz	-0.8 dB MAX
100MHz TO 125MHz	-1.2 dB MAX

**RET. LOSS (MIN)**

0.5MHz-40MHz	-18 dB
40MHz-100MHz	-12+20LOG(f/80MHz) dB

**CROSS TALK**

100kHz - 100MHz -33+20LOG(f/100MHz)dB MIN

**CM TO CM REJ**

100kHz - 100MHz -30 dB MIN

**CM TO DM REJ**

100kHz - 100MHz -35 dB MIN

**HIPOT (Isolation Voltage):**

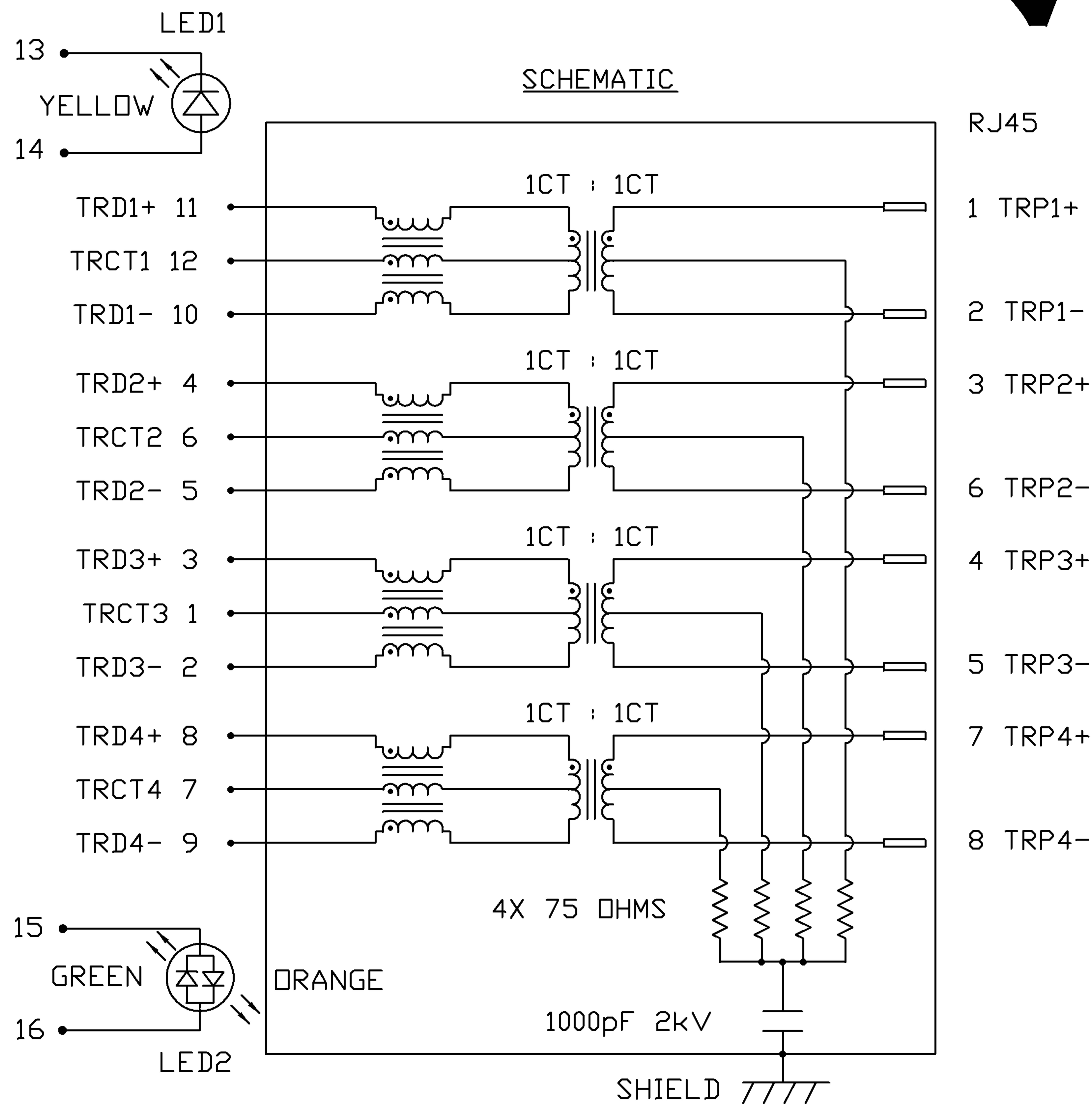
1500 Vrms or 2250VDC

**LED 1**

VF (FORWARD VOLTAGE)	IF=20mA	YELLOW	2.1V TYP.
λD (DOMINANT WAVELENGTH)	IF=20mA	YELLOW	590nm TYP.

**LED 2**

VF (FORWARD VOLTAGE)	IF=20mA	GREEN	2.2V TYP.
		ORANGE	2.0V TYP.
λD (DOMINANT WAVELENGTH)	IF=20mA	GREEN	565nm TYP.
		ORANGE	610nm TYP.



<b>ORIGINATED BY</b> CHOW WANCHUNG	<b>DATE</b> 08-07-08
<b>DRAWN BY</b> LEE WEIDE	<b>DATE</b> 08-07-08

<b>TITLE</b> 1X2 gigabit MagJack® (TAB-UP WITH LEDS)
<b>PART NO. / DRAWING NO.</b> 08261X2T43-F
<b>FILE NAME</b> 08261X2T43-F_B.DWG

<b>STANDARD DIM. TOL. IN INCH</b>	[ ] METRIC DIM. AS REFERENCE
.X	UNIT : INCH [mm]
.XX	REV. : B
.XXX	SCALE : N/A
	SIZE : A4
	PAGE : 2

<b>UNIT : INCH [mm]</b>	REV. : B
<b>SCALE : N/A</b>	SIZE : A4
<b>PAGE : 2</b>	



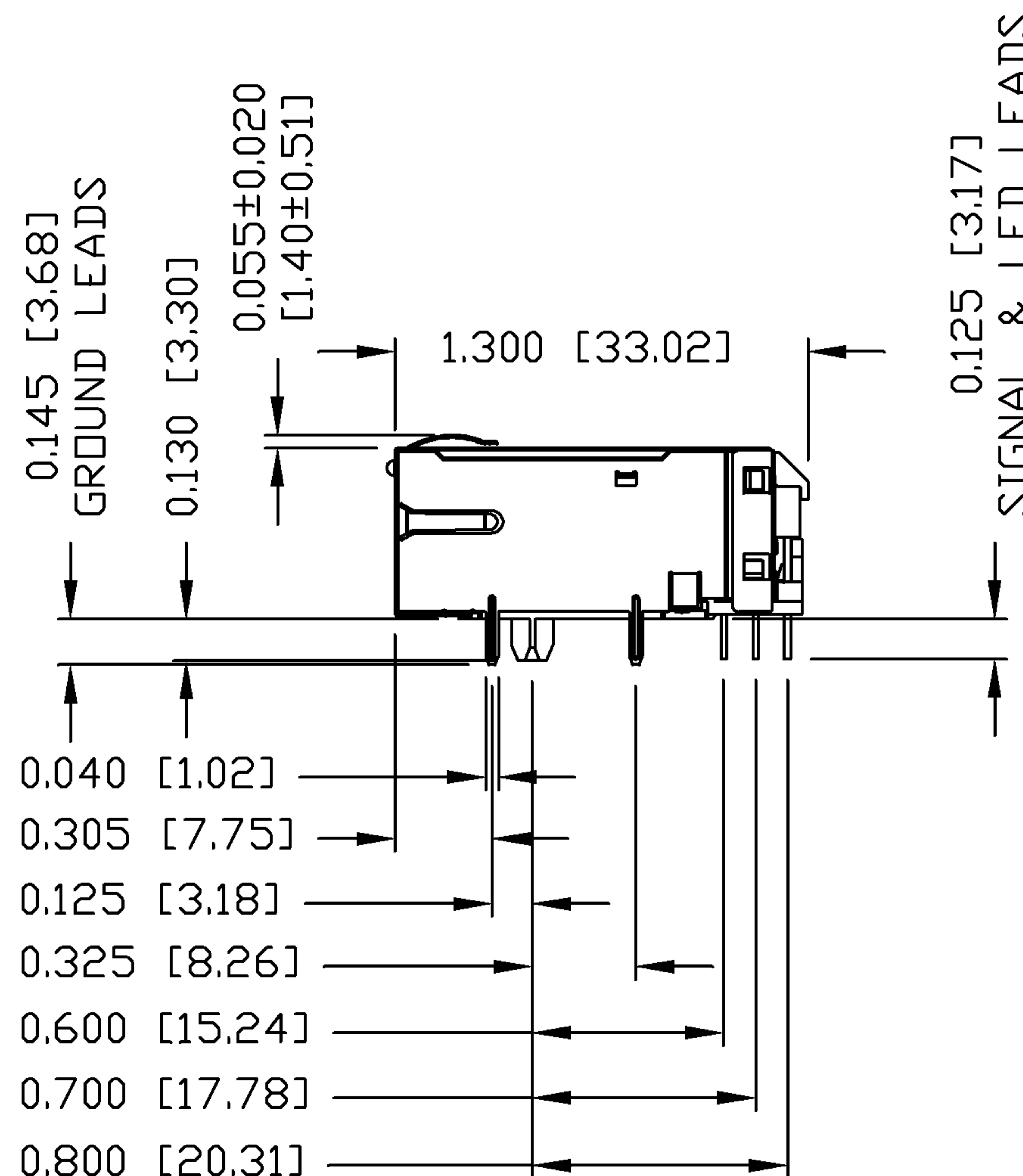
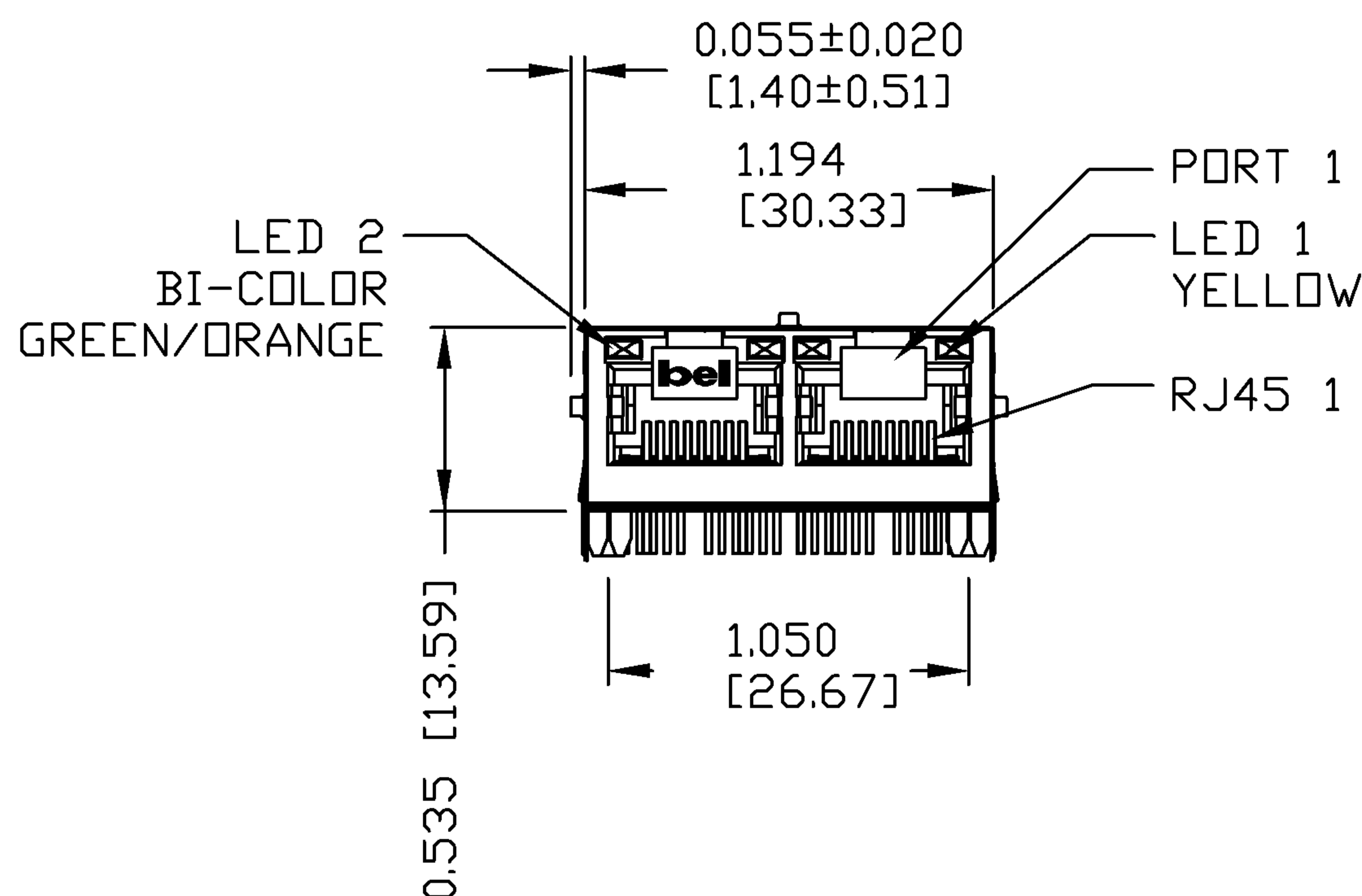
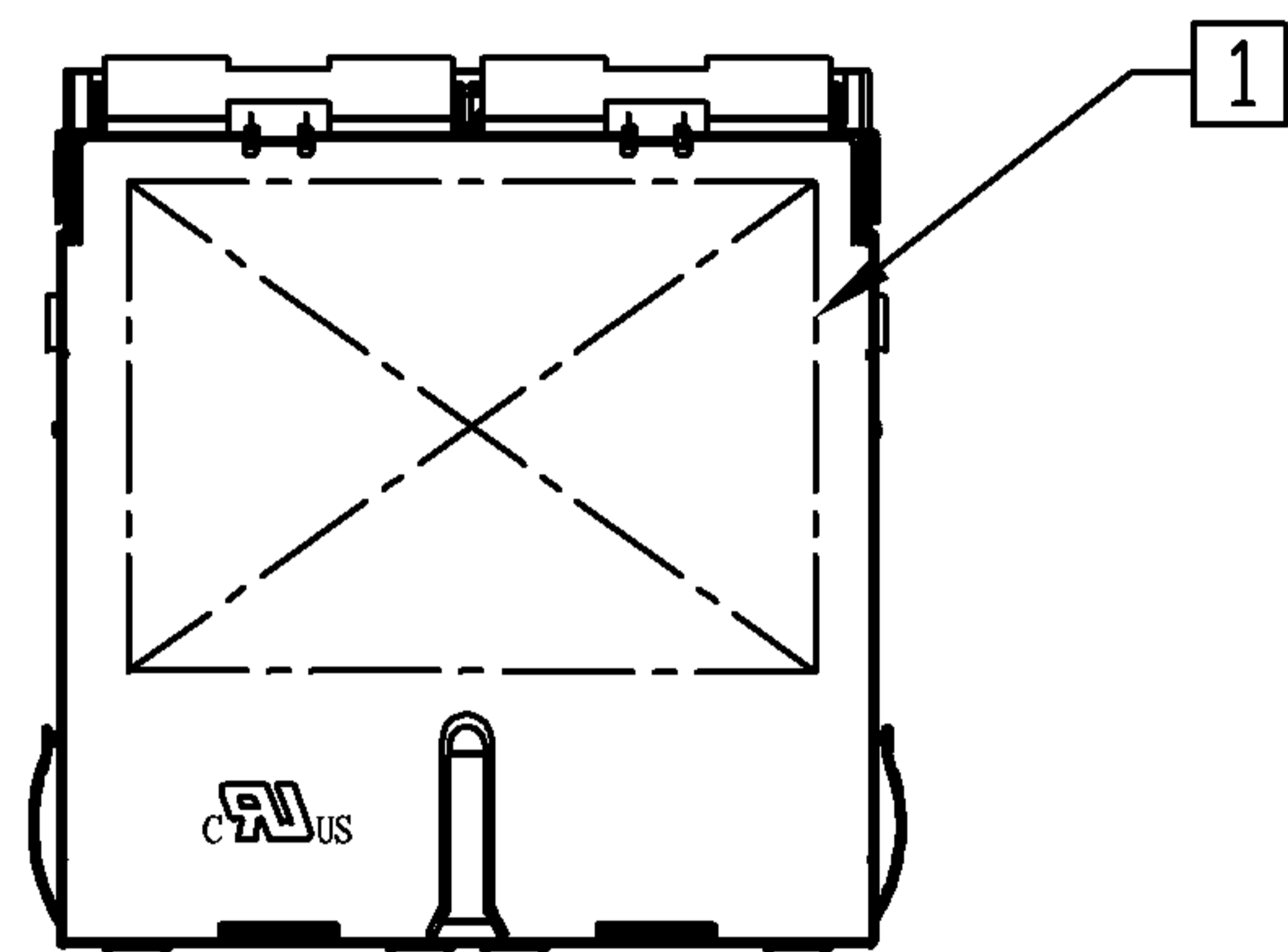
THE INFORMATION CONTAINED HEREIN IS CONSIDERED "PROPRIETARY" TO BEL FUSE INC. AND SHALL NOT BE COPIED, REPRODUCED OR DISCLOSED WITHOUT THE WRITTEN APPROVAL OF BEL FUSE INC.

RoHS  
2002/95/EC



NOTES:

PLASTIC HOUSING: THERMOPLASTIC PBT  
FLAMMABILITY RATING UL 94V-0  
CONTACTS PLATING: 30 MICRO-INCH HARD GOLD PLATING  
PINS: TIN-COATED COPPER WIRE, DIA 0.018 INCH.  
METAL SHIELD: NICKEL PLATED ON COPPER ALLOY.  
(ALL GROUND LEADS ARE SOLDER DIPPED)



□ MARK PART WITH MFG LOGO, PART NUMBER, DATE CODE AND MFG NAME.

c US UL RECOGNIZED - FILE #E196366 AND E169987.

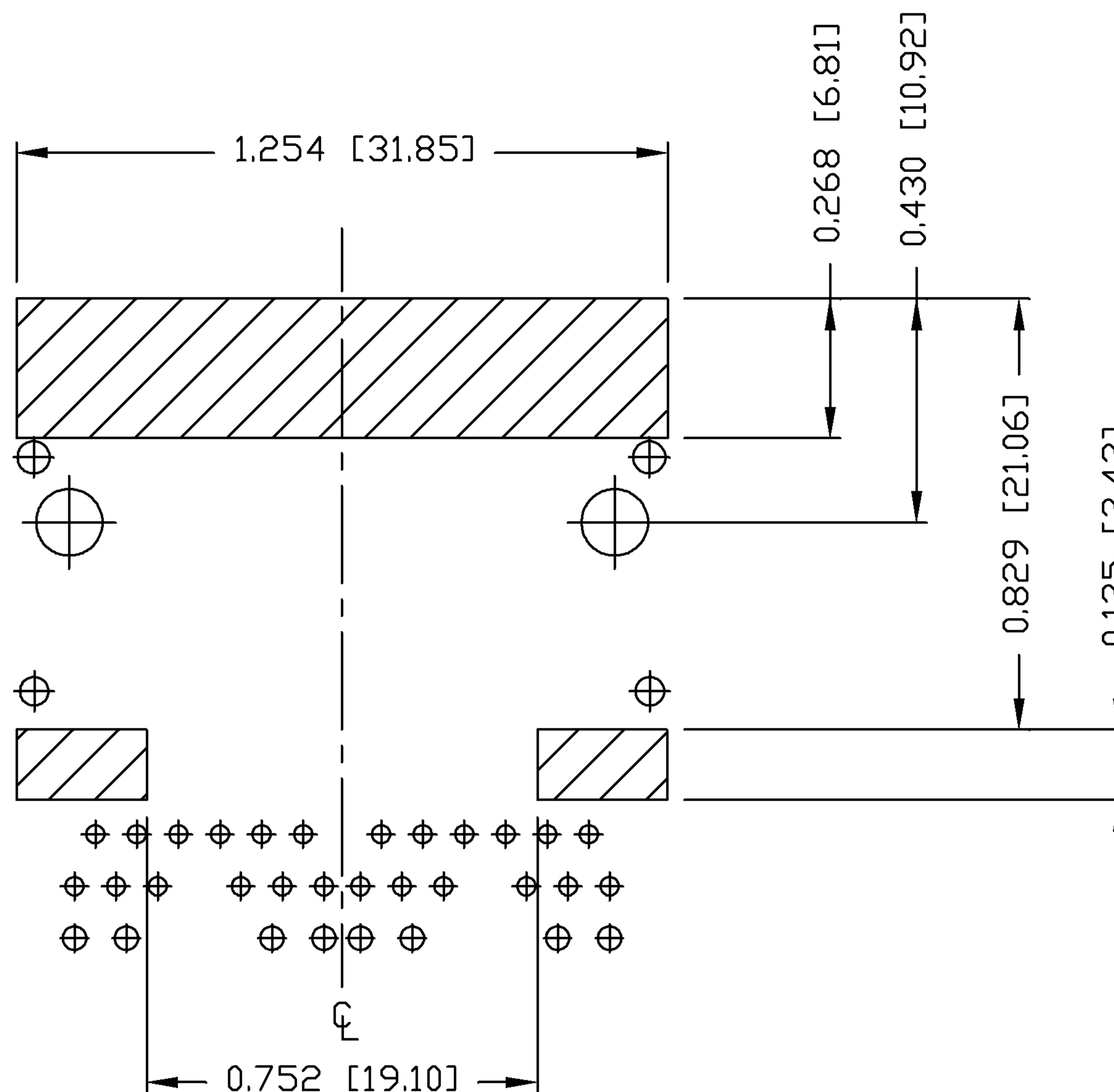
RoHS COMPLIANCE, PER EU DIRECTIVE 2002/95/EC

JACK CAVITY CONFORMS TO FCC RULES AND REGULATIONS.

ORIGINATED BY ZX HUANG	DATE 08-07-08	TITLE 1X2 gigabit MagJack® (TAB-UP WITH LEDS) 0826-1X2T-43-F	PART NO. / DRAWING NO. 08261X2T43-F	STANDARD DIM. TOL. IN INCH	[ ] METRIC DIM. AS REFERENCE	 COMPONENTS FOR A CONNECTED PLANET
DRAWN BY BL CHEN	DATE 08-07-08		FILE NAME 08261X2T43-F_B.DWG	.X	UNIT : INCH [mm]	
			.XX	SCALE : N/A	SIZE : A4	
			.XXX	±0.010	PAGE : 3	

THE INFORMATION CONTAINED HEREIN IS CONSIDERED "PROPRIETARY" TO BEL FUSE INC. AND SHALL NOT BE COPIED, REPRODUCED OR DISCLOSED WITHOUT THE WRITTEN APPROVAL OF BEL FUSE INC.

RoHS  
2002/95/EC



NOTES

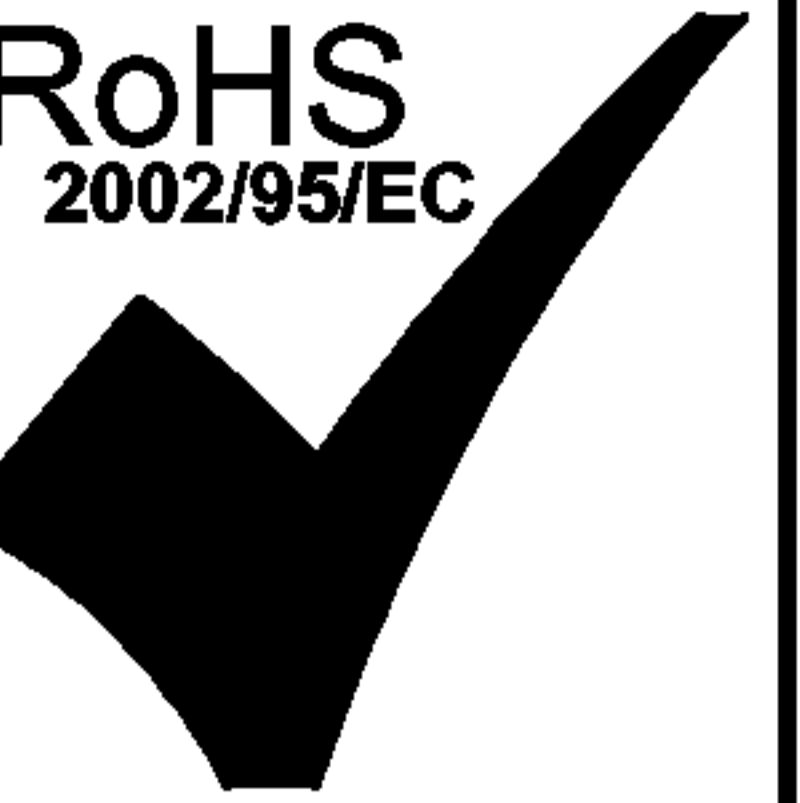
THE SHADED AREA ON THE CUSTOMER BOARD ARE RECOMMENDED TO BE CLEAR OFF ANY VIA HOLE OR COMPONENT PAD.

ORIGINATED BY ZX HUANG	DATE 08-07-08	TITLE 1X2 gigabit MagJack® (TAB-UP WITH LEDS)	PART NO. / DRAWING NO. 08261X2T43-F	STANDARD DIM. TOL. IN INCH	[ ] METRIC DIM. AS REFERENCE
DRAWN BY BL CHEN	DATE 08-07-08		FILE NAME 08261X2T43-F_B.DWG	.X .XX .XXX	UNIT : INCH [mm] SCALE : N/A
				±0.004	



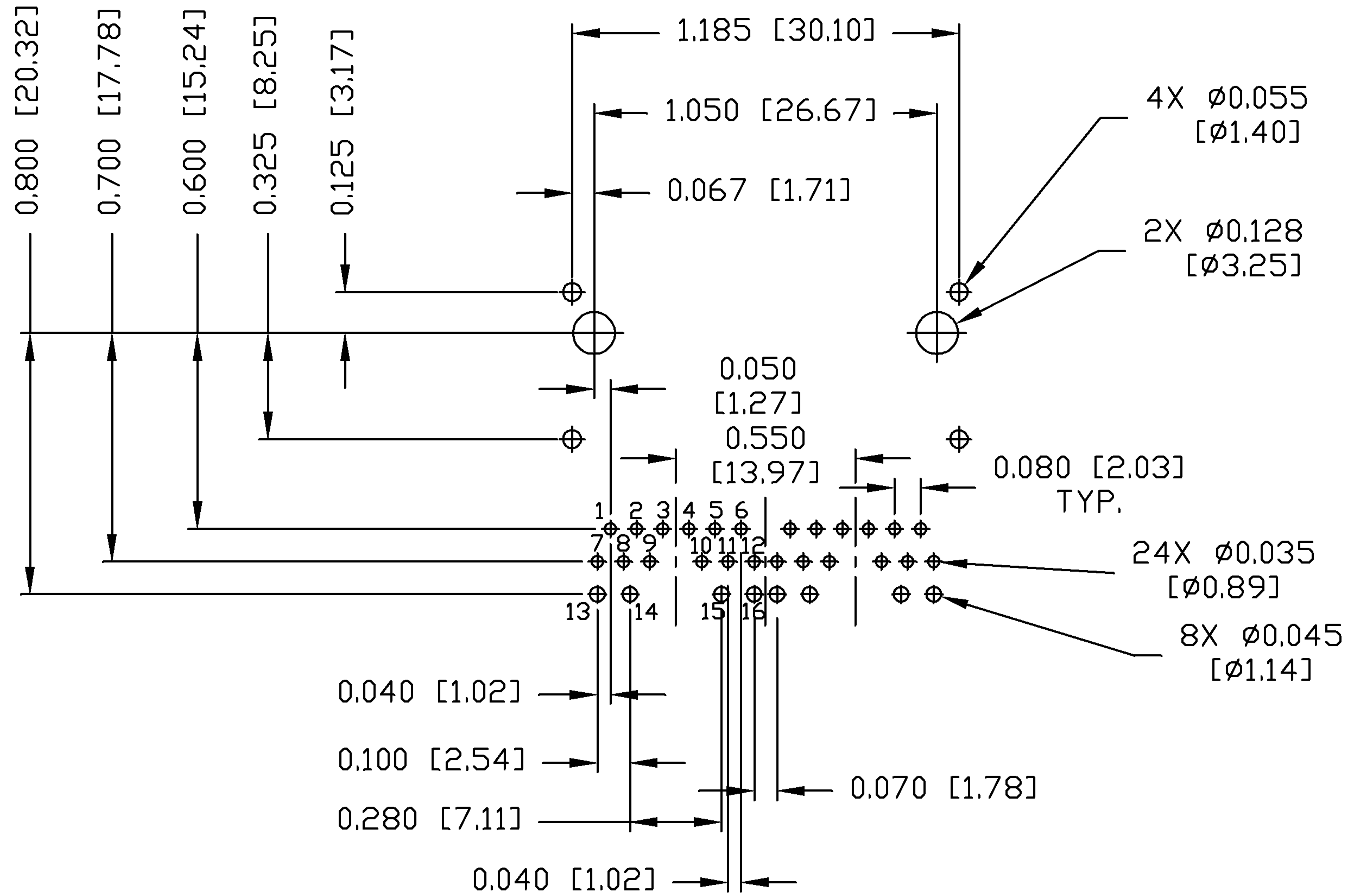
THE INFORMATION CONTAINED HEREIN IS CONSIDERED "PROPRIETARY" TO BEL FUSE INC. AND SHALL NOT BE COPIED, REPRODUCED OR DISCLOSED WITHOUT THE WRITTEN APPROVAL OF BEL FUSE INC.

RoHS  
2002/95/EC

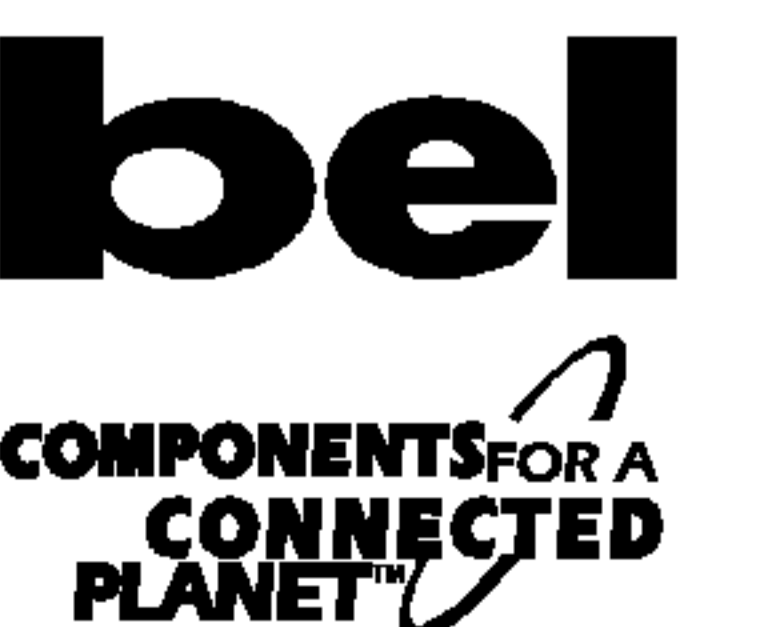


RECOMMENDED PCB FOOTPRINT

COMPONENT SIDE VIEW

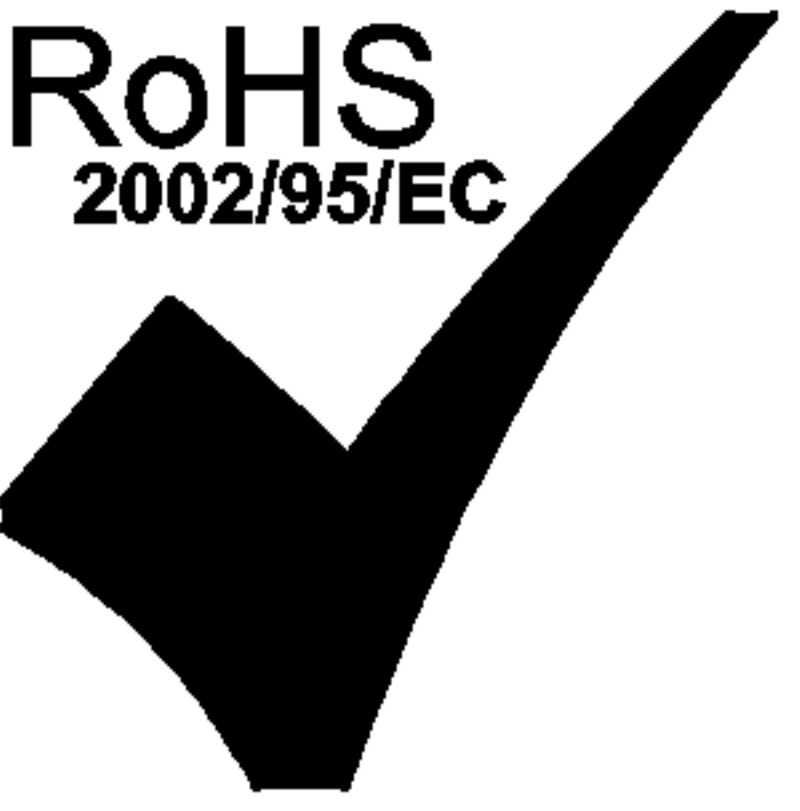


ORIGINATED BY ZX HUANG	DATE 08-07-08	TITLE 1X2 gigabit MagJack® (TAB-UP WITH LEDS) 0826-1X2T-43-F	PART NO. / DRAWING NO. 08261X2T43-F		STANDARD DIM. TOL. IN INCH		[ ] METRIC DIM. AS REFERENCE	
	DRAWN BY BL CHEN		DATE 08-07-08	FILE NAME 08261X2T43-F_B.DWG	.X .XX .XXX	±0.004	UNIT : INCH [mm] SCALE : N/A	REV. : B SIZE : A4 PAGE : 5

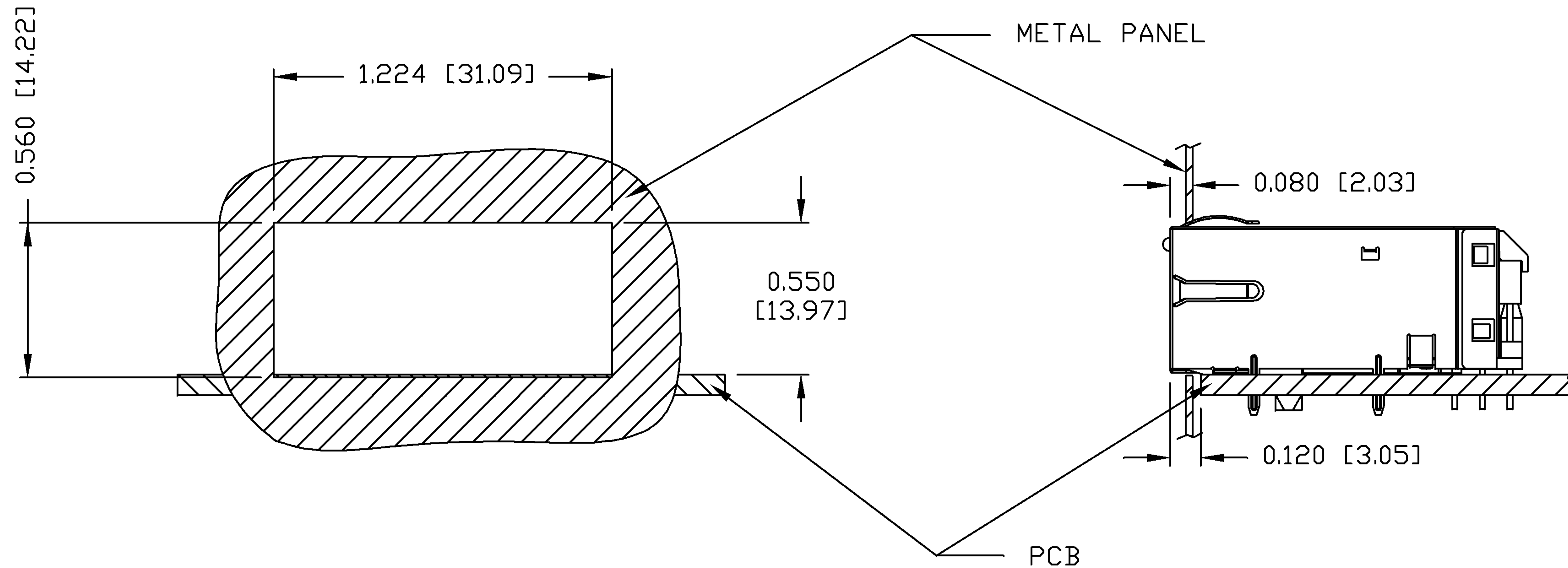


THE INFORMATION CONTAINED HEREIN IS CONSIDERED "PROPRIETARY" TO BEL FUSE INC. AND SHALL NOT BE COPIED, REPRODUCED OR DISCLOSED WITHOUT THE WRITTEN APPROVAL OF BEL FUSE INC.

RoHS  
2002/95/EC



SUGGESTED PANEL OPENING



NOTES:

THE DISTANCE OF PANEL INSIDE SURFACE RELATIVE TO FRONT SURFACE OF PART IS ONLY A SUGGESTION. IN CASE THIS DISTANCE IS DIFFERENT, THE REQUIRED PANEL OPENING DIMENSIONS CHANGE ACCORDINGLY.

PACKING INFORMATION

PACKING TRAY: 0200-9999-I1 (TOP)  
0200-9999-I2 (BOTTOM)

PACKING QUANTITY: 49 PCS FINISHED GOODS PER TRAY  
7 TRAYS (343 PCS FINISHED GOODS) PER CARTON BOX.

NOTE: CARDBOARD ARE PLACED BETWEEN LAYERS OF PACKING TRAY INSIDE CARTON BOX.  
(INCLUDE THE UPPERMOST AND LOWEREST TRAY)

ORIGINATED BY	DATE	TITLE	PART NO. / DRAWING NO.	STANDARD DIM. TOL. IN INCH	[ ] METRIC DIM. AS REFERENCE
ZX HUANG	08-07-08	1X2 gigabit MagJack® (TAB-UP WITH LEDS) 0826-1X2T-43-F	08261X2T43-F	.X	UNIT : INCH [mm] REV. : B
DRAWN BY	DATE		FILE NAME	.XX	SCALE : N/A SIZE : A4
BL CHEN	08-07-08		08261X2T43-F_B.DWG	.XXX ±0.004	⊕ — ◁ PAGE : 6

