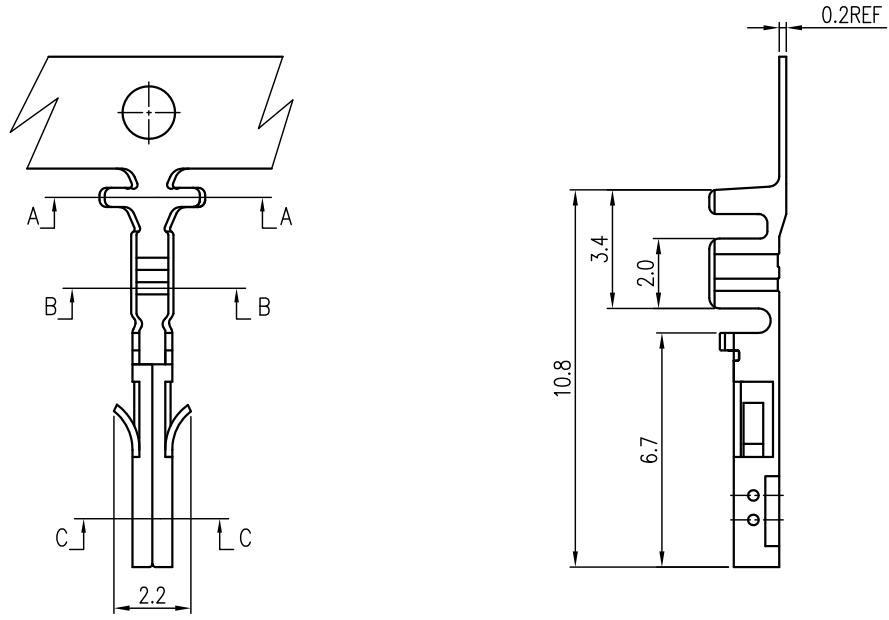


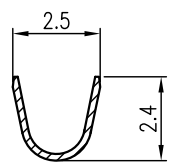
This document is the property of Amphenol Corporation and is delivered on the express condition that is not to be disclosed, reproduced or used, in whole or in part, for manufacture or sale by anyone other than Amphenol Corporation without its prior consent, and that no right is granted to disclose or to use any information in this document.
 The marking on this product doesn't contain environmental hazardous materials per Material Specification 55-00259 for Sony GP compliant or per directive 2011/65/EC for RoHS compliant.

**PRELIMINARY RELEASE
 SUBJECT TO CHANGE**

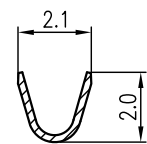
REVISIONS				
SYM	ECN No.	DESCRIPTION	DATE	APPROVED
AX1		NON-RELEASE TO PRODUCTION	07/18/2013	Arron Lin



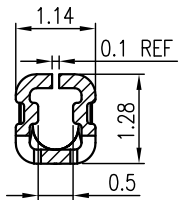
- NOTES:**
- MATERIAL:
 TERMINAL: PHOSPHOR BRONZE.
 - FINISH:
 TERMINAL:
 TIN PLATING 100 μ" THICKNESS MIN. OVERALL.
 UNDER PLATING: NICKEL PLATING 50 μ" THICKNESS MIN. OVERALL.
 - PACKING IS PER AMTA PACKING SPECIFICATION PKS-0001.
 - THIS PRODUCT DOESN'T CONTAIN ENVIRONMENTAL HAZARDOUS PER DIRECTIVE 2011/65/EC FOR RoHS COMPLIANT.
 - TERMINAL Q'ty/REEL: 10,000PCS.
 - APPLICABLE WIRES: AWG#22~#28, INSULATOR O.D: 1.2~1.7mm.
 - RECOMMENDED HOUSING P/N: G881HXX22CEU



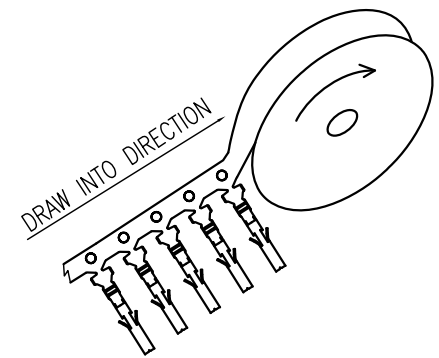
SEC A-A



SEC B-B



SEC C-C
 SCALE 2:1



TOLERANCE		APPROVALS		DATE	TITLE		Amphenol®		
X.		DRAWN Debby Hung		07/18/2013	TERMINAL FOR MICRO-FIT CONNECTOR 3.0MM PITCH		Amphenol Corporation Amphenol Taiwan Corporation		
X.X	±0.30	CHECKED Roger Tsai		07/18/2013					
X.XX	±0.20	APPROVED Arron Lin		07/18/2013					
X.XXX	±0.10	DWG TYPE CUST DWG		PROJECT CODE SKT	UNIT mm		SIZE A3	PART No. G881C0232CEU	
ANGULAR	±1°				SCALE NA		SHEET 1 OF 1	DWG No. G881C0232CEU	
UNLESS OTHERWISE SPECIFIED					UNIT mm		SIZE A3	PART No. G881C0232CEU	
					SCALE NA		SHEET 1 OF 1	REV. AX1	