

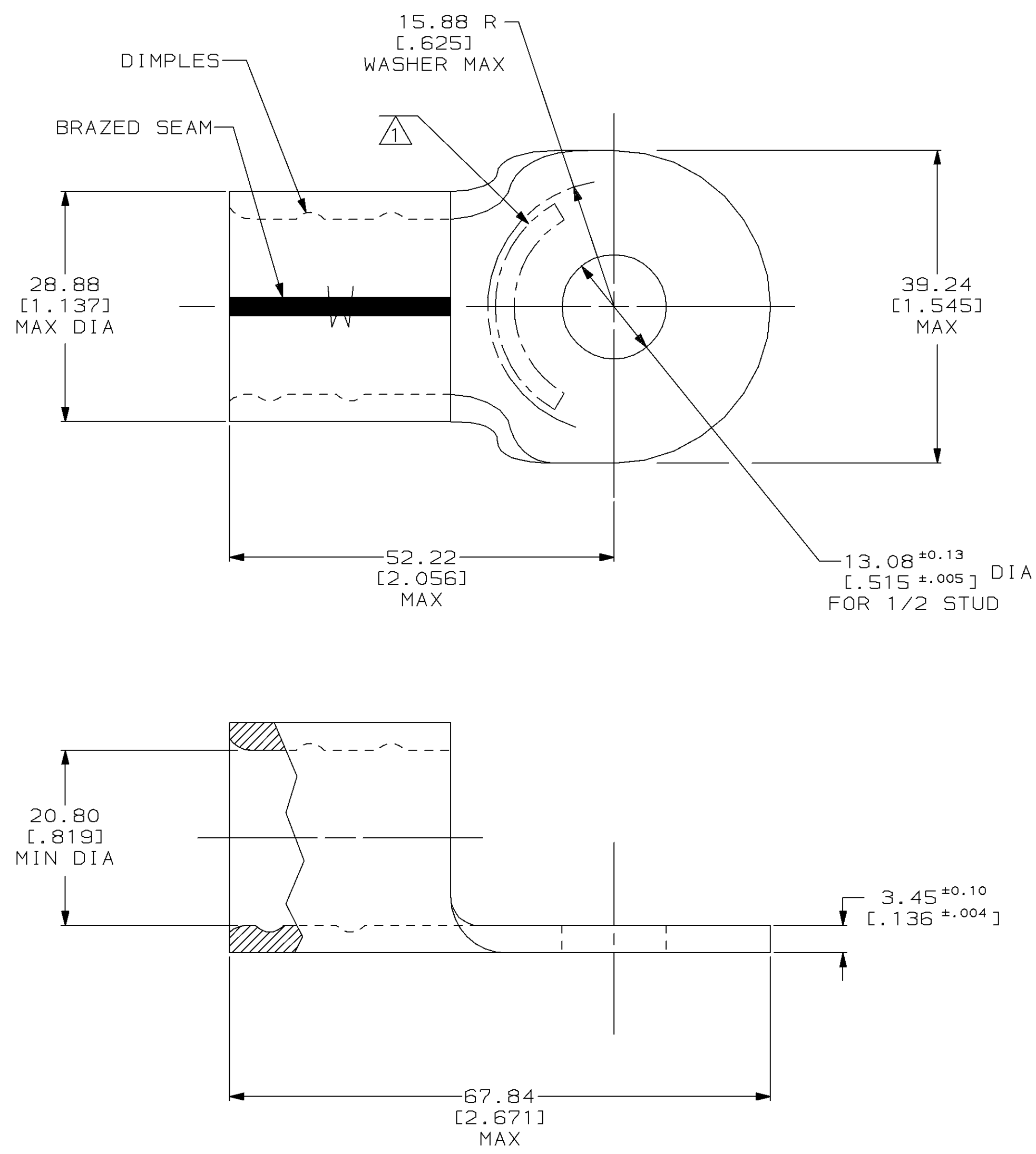
THIS DRAWING IS UNPUBLISHED. RELEASED FOR PUBLICATION
 © COPYRIGHT 19 BY AMP INCORPORATED. ALL INTERNATIONAL RIGHTS RESERVED.

LOC	DIST	P	F	ZONE	LTR	DESCRIPTION	DATE	APPD
G	14				E	REVISED & REDRAWN PER 0720-0134-93	10/7/93	AJK

METRIC
 DIMENSIONS LISTED IN mm [INCHES]

AMP WIRE RANGE	UL E13288 Listed
300-350 MCM SOLID OR STRANDED	300-350 MCM STRANDED
SR LR7189 Certified	MILITARY P/N AND CLASS
NOT CERTIFIED	NOT APPLICABLE

① STAMP AMP 300-350 MCM APPROX AS SHOWN



AMP INCORPORATED CUSTOMER SERVICE SYSTEMS		MAX RECOMMENDED OPERATING TEMPERATURE: 170°C MAX		DO NOT SCALE PRINT. UNLESS SPECIFIED DIMENSIONS IN mm [INCHES] TOLERANCES ON: 2 PLC DEC ± 0.20 [0.008] 3 PLC DEC ± - ANGLES ± -		DR 10/7/93 DK SCHRUM		322259 PART NO	
FOR ADDITIONAL PRODUCT INFORMATION OR COPIES OF DRAWINGS AND TECHNICAL DOCUMENTS	PRODUCT INFORMATION CENTER 1-800-522-6752	VOLTAGE RATING: NOT APPLICABLE		MATERIAL COPPER PER ASTM B-152 ANNEALED		CHK 10/13/93 AJ KAUFMAN		AMP Incorporated Harrisburg, PA 17105-3608	
FOR APPLICATION TOOLING INFORMATION	TOOLING ASSISTANCE CENTER 1-800-722-1111	WIRE CROSS SECTIONAL AREA RANGE: 152.0-193.0mm ² [300,000-380,000] CIR MILS SOLID OR STRANDED		FINISH TIN PLATE 0.00254 [0.000100] MIN THK PER MIL-T-10727		APPD 10/13/93 RE ROSER		NAME TERMINAL, RING TONGUE, SOLISTRAND™, WIRE SIZE: 300-350 MCM	
FOR ORDER ENTRY	1-800-526-5142	THIS DRAWING IS A CONTROLLED DOCUMENT FOR AMP INCORPORATED. IT IS SUBJECT TO CHANGE AND THE CONTROLLING ENGINEERING ORGANIZATION SHOULD BE CONTACTED FOR THE LATEST REVISION.		APPLICATION SPEC -		APPD 10/13/93 JL MECKLEY		DRAWING NO C=322259	
				WEIGHT -		PRODUCT SPEC -		SIZE C 00779	
						APPLICATION SPEC -		SCALE 2:1	
						WEIGHT -		SHEET 1 OF 1	