



***IE-MediaChassis/2 (AC)***

***Operation Manual***

---



## **FCC Radio Frequency Interference Statement**

---

This equipment has been tested and found to comply with the limits for a Class B computing device, pursuant to Part 15 of the FCC Rules. These limits are designed to provide reasonable protection against harmful interference when the equipment is operated in a commercial environment. This equipment generates, uses and can radiate radio frequency energy and, if not installed and used in accordance with the instruction manual, may cause harmful interference to radio communications. Operation of this equipment in a residential area is likely to cause harmful interference in which the user will be required to correct the interference at his own expense.

Any changes or modifications not expressly approved by the manufacturer could void the user's authority to operate the equipment.

The use of non-shielded I/O cables may not guarantee compliance with FCC RFI limits. This digital apparatus does not exceed the Class B limits for radio noise emission from digital apparatus set out in the Radio Interference Regulation of the Canadian Department of Communications.

Le présent appareil numérique n'émet pas de bruits radioélectriques dépassant les limites applicables aux appareils numériques de classe B prescrites dans le Règlement sur le brouillage radioélectrique publié par le ministère des Communications du Canada.

## **Warranty**

---

IMC Networks warrants to the original end-user purchaser that this product, EXCLUSIVE OF SOFTWARE, shall be free from defects in materials and workmanship under normal and proper use in accordance with IMC Networks' instructions and directions for a period of six (6) years after the original date of purchase. This warranty is subject to the limitations set forth below.

At its option, IMC Networks will repair or replace at no charge the product which proves to be defective within such warranty period. This limited warranty shall not apply if the IMC Networks product has been damaged by unreasonable use, accident, negligence, service or modification by anyone other than an authorized IMC Networks Service Technician or by any other causes unrelated to defective materials or workmanship. Any replaced or repaired products or parts carry a ninety (90) day warranty or the remainder of the initial warranty period, whichever is longer.

To receive in-warranty service, the defective product must be received at IMC Networks no later than the end of the warranty period. The product must be accompanied by proof of purchase, satisfactory to IMC Networks, denoting product serial number and purchase date, a written description of the defect and a Return Merchandise Authorization (RMA) number issued by IMC Networks. No products will be accepted by IMC Networks which do not have an RMA number. For an RMA number, contact IMC Networks at PHONE: (800) 624-1070 (in the U.S and Canada) or (949) 465-3000 or FAX: (949) 465-3020. The end-user shall return the defective product to IMC Networks, freight, customs and handling charges prepaid. End-user agrees to accept all liability for loss of or damages to the returned product during shipment. IMC Networks shall repair or replace the returned product, at its option, and return the repaired or new product to the end-user, freight prepaid, via method to be determined by IMC Networks. IMC Networks shall not be liable for any costs of procurement of substitute goods, loss of profits, or any incidental, consequential, and/or special damages of any kind resulting from a breach of any applicable express or implied warranty, breach of any obligation arising from breach of warranty, or otherwise with respect to the manufacture and sale of any IMC Networks product, whether or not IMC Networks has been advised of the possibility of such loss or damage.

EXCEPT FOR THE EXPRESS WARRANTY SET FORTH ABOVE, IMC NETWORKS MAKES NO OTHER WARRANTIES, WHETHER EXPRESS OR IMPLIED, WITH RESPECT TO THIS IMC NETWORKS PRODUCT, INCLUDING WITHOUT LIMITATION ANY SOFTWARE ASSOCIATED OR INCLUDED. IMC NETWORKS SHALL DISREGARD AND NOT BE BOUND BY ANY REPRESENTATIONS OR WARRANTIES MADE BY ANY OTHER PERSON, INCLUDING EMPLOYEES, DISTRIBUTORS, RESELLERS OR DEALERS OF IMC NETWORKS, WHICH ARE

INCONSISTENT WITH THE WARRANTY SET FORTH ABOVE. ALL IMPLIED WARRANTIES INCLUDING THOSE OF MERCHANTABILITY AND FITNESS FOR A PARTICULAR PURPOSE ARE HEREBY LIMITED TO THE DURATION OF THE EXPRESS WARRANTY STATED ABOVE.

Every reasonable effort has been made to ensure that IMC Networks product manuals and promotional materials accurately describe IMC Networks product specifications and capabilities at the time of publication. However, because of ongoing improvements and updating of IMC Networks products, IMC Networks cannot guarantee the accuracy of printed materials after the date of publication and disclaims liability for changes, errors or omissions.

## Table of Contents

---

FCC Radio Frequency Interference Statement .....	ii
Warranty.....	ii
About the IE-MediaChassis/2 (AC) .....	1
Installing the IE-MediaChassis/2 (AC) .....	1
Configuring and Installing Modules.....	3
Rack Mount Precautions .....	3
IMC Networks Technical Support.....	4
Specifications .....	4
Electrostatic Discharge Precautions.....	5
Safety Certifications.....	6
Notes .....	7
Notes.....	8

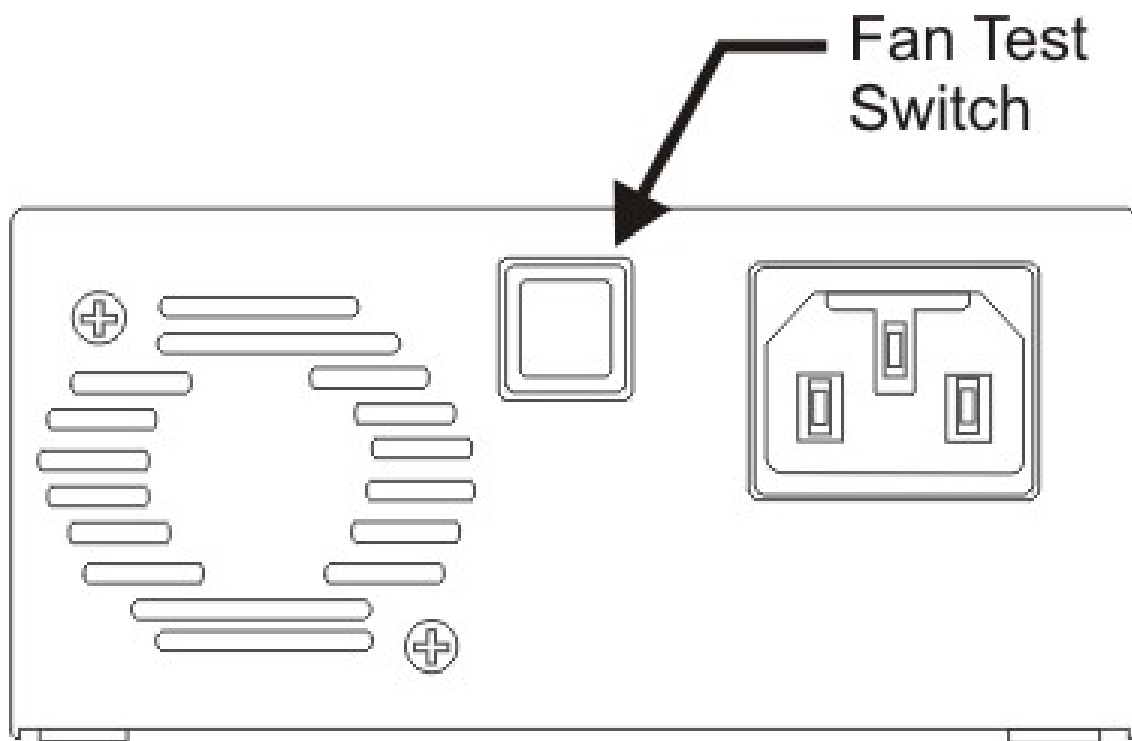
## About the IE-MediaChassis/2 (AC)

---

The IE-MediaChassis/2 (AC) is a stand-alone chassis for use with iMcV modules. As an unmanaged chassis, the IE-MediaChassis/2 (AC) supports two single-wide or one dual-wide iMcV module. All iMcV modules, with the exception of the SNMP management card, will function properly in this chassis.

The IE-MediaChassis/2 (AC) contains an internal AC power supply.

The iMediaChassis/2 (AC) includes a temperature triggered fan. When the internal temperature of the chassis reaches 86° F (30° C) the fan is activated. As the temperature increases the fan drive duty cycle adjusts to increase the fan speed. You can test the fan operation by depressing the fan test switch on the back of the chassis.

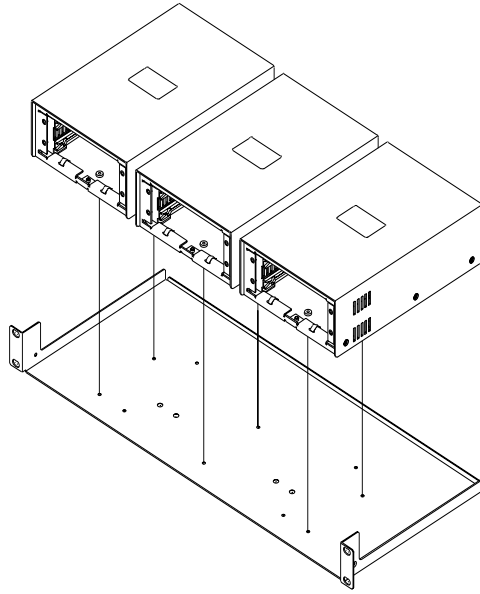


## Installing the IE-MediaChassis/2 (AC)

---

Use the IE-MediaChassis/2 (AC) as a table-top chassis, mount in a rack mount shelf, or mount it to a wall surface (brackets are not required).

1. Install the IE-MediaChassis/2 (AC) by placing it on a flat surface.
2. If mounting on a Rackmount shelf, align screw holes and secure with screws.

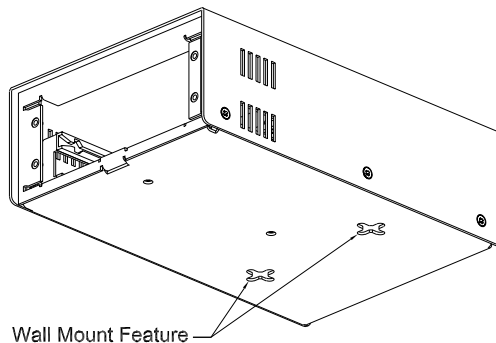


The rack-mount shelf is sold separately. To purchase the rack-mount shelf (part number 895-39949); visit the IMC Networks' Product Accessories page:

<https://www.imcnetworks.com/Products/acc.cfm>

Rackmounting requires a rackmount shelf for mounting up to three units side by side.

3. If mounting the chassis on a wall, place two #10 panhead screws (not supplied) on the wall the distance of the holes on the chassis, and then hang the unit on the screws.



4. Attach the cables between the chassis and the device that will be interconnected, and then plug the unit into a reliable, filtered power source.

## **Configuring and Installing Modules**

---

IMC Networks recommends turning the chassis power off before proceeding.

1. To install an iMcV module, slide the module into the chassis until the module is firmly seated in the backplane.
2. Secure the module to the chassis by tightening the captive thumb screw on the iMcV module.
3. Attach the network cables between the iMcV module and other devices that will be interconnected.
4. Plug the chassis into the AC power source.

## **Rack Mount Precautions**

---

1. Elevated Operating Ambient - If installed in a closed or multi-unit rack assembly, the operating ambient temperature of the rack environment may be greater than room ambient. Therefore, consideration should be given to installing the equipment in an environment compatible with the maximum ambient temperature (T<sub>ma</sub>) specified by the manufacturer.
2. Reduced Air Flow - Installation of the equipment in a rack should be such that the amount of air flow required for safe operation of the equipment is not compromised.
3. Mechanical Loading - Mounting of the equipment in the rack should be such that a hazardous condition is not achieved due to uneven mechanical loading.
4. Circuit Overloading - Consideration should be given to the connection of the equipment to the supply circuit and the effect that overloading of the circuits might have on overcurrent protection and supply wiring. Appropriate consideration of equipment nameplate ratings should be used when addressing this concern.
5. Reliable Earthing - Reliable earthing of rack-mounted equipment should be maintained. Particular attention should be given to supply connections other than direct connections to the branch circuit (e.g. use of power strips).

## **IMC Networks Technical Support**

---

**Tel:** (949) 465-3000 or (800) 624-1070 (in the U.S. and Canada);  
+32-16-550880 (Europe)

**Fax:** (949) 465-3020

**E-Mail:** [techsupport@imcnetworks.com](mailto:techsupport@imcnetworks.com)

**Web:** [www.imcnetworks.com](http://www.imcnetworks.com)

## **Specifications**

---

### **Environmental:**

Operating Temperature: -31° F to 156.2° F (-35° C to 69° C)

Storage Temperature: -4° F to 158° F (-20° C to 70° C)

Humidity: 5 to 95% (non-condensing)

### **AC Power Supply:**

Input Voltage: 90 to 264 VAC, 47-440HZ

Inrush Current: <60A Peak @230VAC

Input Power: <74W

Output Current Capability: 11A@5 VDC

### **Dimensions:**

2.23"H x 4.75"W x 7.30"D (5.7 cm H x 12.1 cm W x 18.6 cm D)

### **Heat Generation:**

51 BTU/hr. maximum

Fan turns on if the internal temperature exceeds 86° F (30° C)

## Electrostatic Discharge Precautions

---

Electrostatic discharge (ESD) can cause damage to your add-in modules. Always observe the following precautions when installing or handling an add-in module or any board assembly.

1. Do not remove unit from its protective packaging until you're ready to install it.
2. Wear an ESD wrist grounding strap before handling any module or component. If you do not have a wrist strap, maintain grounded contact with the system unit throughout any procedure requiring ESD protection.
3. Hold boards by the edges only; do not touch the electronic components or gold connectors.
4. After removal, always place the boards on a grounded, static-free surface, ESD pad or in a proper ESD bag. Do not slide the board over any surface.



**WARNING!** Integrated circuits and fiber optic components are extremely susceptible to electrostatic discharge damage. Do not handle these components directly unless you are a qualified service technician and use tools and techniques that conform to accepted industry practices.

---



## Safety Certifications

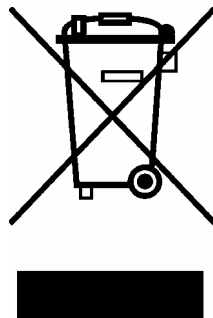
---

UL/CUL: Listed to Safety of Information Technology Equipment, including Electrical Business Equipment.

CE: The products described herein comply with the Council Directive on Electromagnetic Compatibility (89/336/EEC) and the Council Directive on Electrical Equipment Designed for use within Certain Voltage Limits (73/23/EEC). Certified to Safety of Information Technology Equipment, Including Electrical Business Equipment. For further details, contact IMC Networks.



European Directive 2002/96/EC (WEEE) requires that any equipment that bears this symbol on product or packaging must not be disposed of with unsorted municipal waste. This symbol indicates that the equipment should be disposed of separately from regular household waste. It is the consumer's responsibility to dispose of this and all equipment so marked through designated collection facilities appointed by government or local authorities. Following these steps through proper disposal and recycling will help prevent potential negative consequences to the environment and human health. For more detailed information about proper disposal, please contact local authorities, waste disposal services, or the point of purchase for this equipment.



## Notes

---

## Notes

---



19772 Pauling • Foothill Ranch, CA 92610-2611 USA  
TEL: (949) 465-3000 • FAX: (949) 465-3020  
[www.imcnetworks.com](http://www.imcnetworks.com)

**ISO 9001:2000  
REGISTERED**



© 2008 IMC Networks. All rights reserved.

The information in this document is subject to change without notice. IMC Networks assumes no responsibility for any errors that may appear in this document. IE-MediaChassis/2 is a trademark of IMC Networks. Other brands or product names may be trademarks and are the property of their respective companies.

**Document Number 50-80105-00 A0**

**April 2008**

If the product's part number begins with an "8", it is compliant with the Restriction of Hazardous Substances (RoHS) directive.