

Controller - PLC-V8C/SC-24DC/BM - 2903094

Please be informed that the data shown in this PDF Document is generated from our Online Catalog. Please find the complete data in the user's documentation. Our General Terms of Use for Downloads are valid (<http://phoenixcontact.com/download>)



PLC logic basic logic module with 16 I/Os for plug-in connection to 8 PLC-INTERFACE terminal blocks, can be extended to 48 I/Os, integrated realtime clock, connection to PC via micro USB socket, accommodates external memory block, screw connection

Product Features



Key commercial data

Packing unit	1 pc
Weight per Piece (excluding packing)	140.0 GRM
Custom tariff number	85389091
Country of origin	Germany

Technical data

Note

Utilization restriction	EMC: class A product, see manufacturer's declaration in the download area
-------------------------	---

Power supply

Supply voltage	24 V DC
Supply voltage range	19.2 V DC ... 26.4 V DC
Maximum input current at U_N	120 mA
Protective circuit	Protection against polarity reversal
	Surge protection
Status display	Green LED

Input data (digital)

Number of inputs	8 (2 configurable as analog)
Description of the input	EN 61131-2, type 3
Input voltage	24 V DC

Controller - PLC-V8C/SC-24DC/BM - 2903094

Technical data

Input data (digital)

Signal level "0" signal	< 5 V
Signal level "1" signal	> 11 V
Input current "0" signal	< 1 mA
Input current "1" signal	typ. 2.5 mA
Status display	Yellow LED

Input data (analog)

Number of inputs	2 (IN6 and IN7 are configurable as analog)
Input voltage range	0 V ... 10 V
Input resistance	> 3.5 kΩ

Input data (PLC-INTERFACE)

Number of inputs	≤ 8
Description of the input	technical data depends on the PLC used
Input voltage	19 V DC
Typical current consumption	4 mA
Input resistance	< 100 mΩ

Output data

Number of outputs	≤ 8
Nominal output voltage	24 V DC
Nominal current	9 mA

General data

Realtime clock accuracy	±2 s/d
Realtime clock buffer time	24 h (Capacitor)
Color	green
Mounting position	any
Assembly instructions	Can be plugged onto 8 x PLC-INTERFACE
Operating mode	100% operating factor
Degree of protection	IP20

Standards/regulations

Designation	Air clearances and creepage distances between the power circuits
Standards/regulations	DIN EN 50178
Rated insulation voltage	50 V
Rated surge voltage	0.8 kV
Insulation	Basic insulation
Pollution degree	2
Surge voltage category	III

Controller - PLC-V8C/SC-24DC/BM - 2903094

Technical data

Connection data (supply and digital inputs)

Connection name	COMBICON connection
Conductor cross section flexible min.	0.14 mm ²
Conductor cross section flexible max.	1.5 mm ²
Conductor cross section solid min.	0.14 mm ²
Conductor cross section solid max.	1.5 mm ²
Conductor cross section flexible, with ferrule with plastic sleeve min.	0.25 mm ²
Conductor cross section flexible, with ferrule with plastic sleeve max.	0.5 mm ²
Conductor cross section flexible, with ferrule without plastic sleeve min.	0.25 mm ²
Conductor cross section stranded, with ferrule without plastic sleeve max.	1.5 mm ²
Min. AWG conductor cross section, stranded	28
Max. AWG conductor cross section, stranded	16
Conductor cross section AWG min.	28
Conductor cross section AWG max.	16
Screw thread	M2
Number of connections	1
Connection method	Screw connection
Number of positions	10
Stripping length	7 mm
Note	Device supply and 8 x inputs
Torque	0.22 Nm ... 0.25 Nm

Connection data (programming interface)

Connection name	Programming connection
Number of connections	1
Connection method	Micro USB type B

Connection data (INTERFACE system)

Connection name	INTERFACE system
Conductor cross section flexible min.	0.2 mm ²
Conductor cross section flexible max.	0.5 mm ²
Conductor cross section solid min.	0.14 mm ²
Conductor cross section solid max.	0.5 mm ²
Conductor cross section AWG min.	26
Conductor cross section AWG max.	20
Number of connections	1
Connection method	Spring-cage connection
Number of positions	3
Stripping length	6 mm

Controller - PLC-V8C/SC-24DC/BM - 2903094

Technical data

Connection data (PLC V8C bus)

Connection name	PLC logic - bus
Number of connections	1
Number of positions	4

Connection data (S-PORT)

Connection name	Memory
Number of connections	1
Connection method	S-PORT (socket)
Number of positions	12
Note	For connecting the memory module

Ambient conditions

Ambient temperature (operation)	-20 °C ... 45 °C
Ambient temperature (storage/transport)	-20 °C ... 70 °C
Max. permissible relative humidity (operation)	95 %

Dimensions

Width	50 mm
Height	106 mm
Depth	87 mm

Classifications

eCl@ss

eCl@ss 4.0	27250313
eCl@ss 4.1	27250313
eCl@ss 5.0	27250313
eCl@ss 5.1	27242608
eCl@ss 6.0	27242608
eCl@ss 7.0	27242608

ETIM

ETIM 3.0	EC001604
ETIM 4.0	EC001604
ETIM 5.0	EC001417

UNSPSC

UNSPSC 6.01	30211824
UNSPSC 7.0901	39121421

Controller - PLC-V8C/SC-24DC/BM - 2903094

Classifications

UNSPSC

UNSPSC 11	39121421
UNSPSC 12.01	39121421
UNSPSC 13.2	39121421

Approvals

Approvals


Approvals


UL Listed / cUL Listed / cULus Listed

Ex Approvals

Approvals submitted

Approval details

UL Listed 

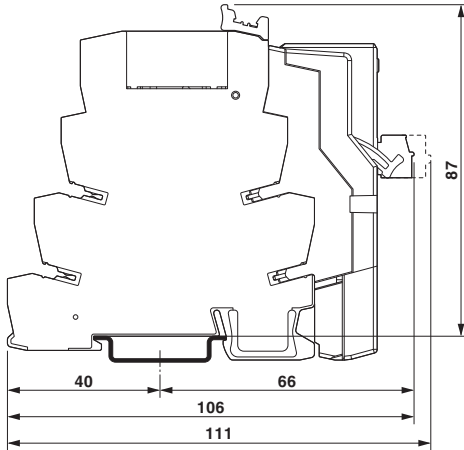
cUL Listed 

cULus Listed 

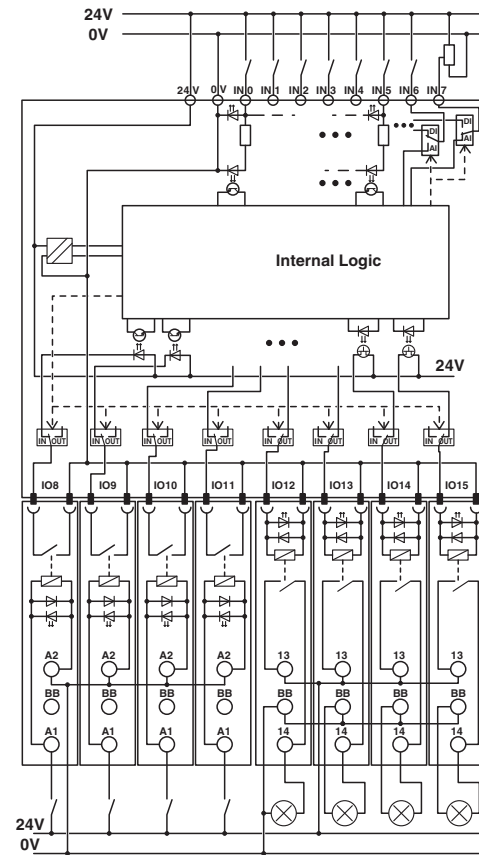
Drawings

Controller - PLC-V8C/SC-24DC/BM - 2903094

Dimensional drawing

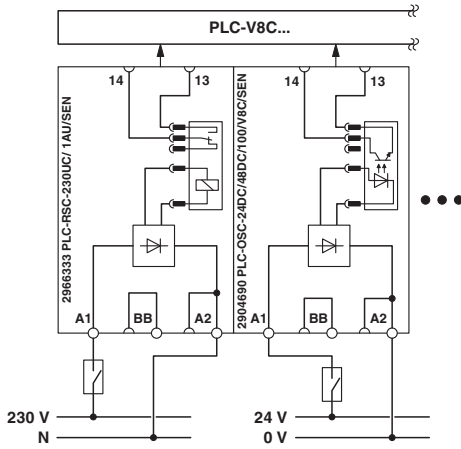


Circuit diagram

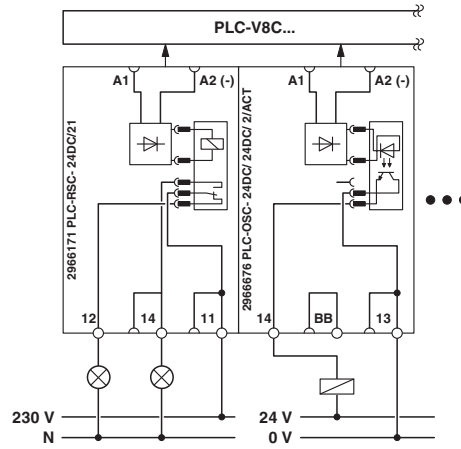


Controller - PLC-V8C/SC-24DC/BM - 2903094

Circuit diagram



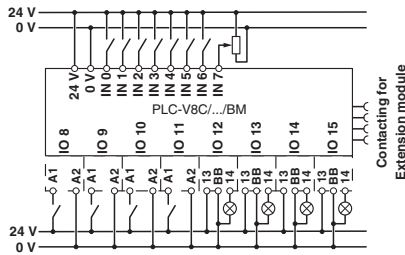
Circuit diagram



Basic circuit diagram: inputs via PLC-INTERFACE with the example of one input terminal block with relay (230 V AC) and one input terminal block with solid-state relay (24 V DC).

Basic circuit diagram: outputs via PLC-INTERFACE with the example of an output terminal block with relay, 1 PDT, and an output terminal block with solid-state relay.

Connection diagram



Controller - PLC-V8C/SC-24DC/BM - 2903094

Circuit diagram

