



## MS5803-05BA

### Miniature Altimeter and Diving Module

#### SPECIFICATIONS

- High resolution module, 30cm
- Fast conversion down to 1 ms
- Low power, 1  $\mu$ A (standby < 0.15  $\mu$ A)
- Integrated digital pressure sensor (24 bit  $\Delta\Sigma$  ADC)
- Supply voltage 1.8 to 3.6 V
- Operating range: 0 to 5 bar, -40 to +85 °C
- I<sup>2</sup>C and SPI interface (Mode 0,3)
- No external components (Internal oscillator)
- Excellent long term stability
- Hermetically sealable for outdoor devices

The MS5803-05BA is a new generation of high resolution altimeter sensors from MEAS Switzerland with SPI and I<sup>2</sup>C bus interface. It is optimized for depth meters and altimeters with an altitude resolution of 30 cm. The sensor module includes a high linearity pressure sensor and an ultra low power 24 bit  $\Delta\Sigma$  ADC with internal factory calibrated coefficients. It provides a precise digital 24 Bit pressure and temperature value and different operation modes that allow the user to optimize for conversion speed and current consumption. A high resolution temperature output allows the implementation of an altimeter/thermometer function without any additional sensor. The MS5803-05BA can be interfaced to virtually any microcontroller. The communication protocol is simple, without the need of programming internal registers in the device. The gel protection and antimagnetic stainless steel cap allows the use in 100m waterproof watches. This new sensor module generation is based on leading MEMS technology and latest benefits from MEAS Switzerland proven experience and know-how in high volume manufacturing of altimeter modules, which have been widely used for over a decade. The sensing principle employed leads to very low hysteresis and high stability of both pressure and temperature signal

## FEATURES

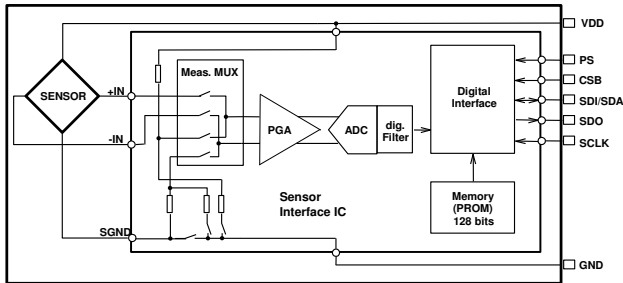
### FIELD OF APPLICATION

- Dual Mobile altimeter / depth meter systems
- Adventure or multi-mode watches
- Diving computers

### TECHNICAL DATA

| Sensor Performances (V <sub>DD</sub> = 3 V)                   |                                       |       |      |         |
|---|---------------------------------------|-------|------|---------|
| Pressure  | Min                                   | Typ   | Max  | Unit    |
| Range   | 0                                     |       | 5    | bar     |
| ADC   | 24                                    |       |      | bit     |
| Resolution (1), Altimeter mode                                | 0.195 / 0.126 / 0.081 / 0.054 / 0.036 |       |      | mbar    |
| Accuracy 20°C<br>300 to 1100 mbar (2)                         | -1.5                                  |       | +1.5 | mbar    |
| Accuracy 0°C to +50°C,<br>0 to 5 bar (2)                      | -100                                  |       | 100  | mbar    |
| Response time   | 0.5 / 1.1 / 2.1 / 4.1 / 8.22          |       |      | ms      |
| Long term stability   |                                       | +/-1  |      | mbar/yr |
| Temperature   | Min                                   | Typ   | Max  | Unit    |
| Range   | -40                                   |       | +85  | °C      |
| Resolution  |                                       | <0.01 |      | °C      |
| Accuracy  | -2.5                                  |       | +2.5 | °C      |
| Notes: (1) Oversampling Ratio: 256 / 512 / 1024 / 2048 / 4096 |                                       |       |      |         |
| (2) With autozero at one pressure point                       |                                       |       |      |         |

### FUNCTIONAL BLOCK DIAGRAM



## PERFORMANCE SPECIFICATIONS

## ABSOLUTE MAXIMUM RATINGS

| Parameter                     | Symbol           | Conditions           | Min. | Typ. | Max  | Unit |
|-------------------------------|------------------|----------------------|------|------|------|------|
| Supply voltage                | V <sub>DD</sub>  |                      | -0.3 |      | +3.6 | V    |
| Storage temperature           | T <sub>S</sub>   |                      | -40  |      | +125 | °C   |
| Overpressure                  | P <sub>max</sub> | ISO6425              |      |      | 30   | bar  |
| Maximum Soldering Temperature | T <sub>max</sub> | 40 sec max           |      |      | 250  | °C   |
| ESD rating                    |                  | Human Body Model     | -4   |      | +4   | kV   |
| Latch up                      |                  | JEDEC standard No 78 | -100 |      | +100 | mA   |

## ELECTRICAL CHARACTERISTICS

| Parameter                             | Symbol          | Conditions                                | Min. | Typ.                             | Max  | Unit |
|---------------------------------------|-----------------|---|------|----------------------------------|------|------|
| Operating Supply voltage              | V <sub>DD</sub> |   | 1.8  | 3.0                              | 3.6  | V    |
| Operating Temperature                 | T               |   | -40  | +25                              | +85  | °C   |
| Supply current<br>(1 sample per sec.) | I <sub>DD</sub> | OSR<br>4096<br>2048<br>1024<br>512<br>256 |      | 12.5<br>6.3<br>3.2<br>1.7<br>0.9 |      | μA   |
| Peak supply current                   |                 | during conversion                         |      | 1.4                              |      | mA   |
| Standby supply current                |                 | at 25°C                                   |      | 0.02                             | 0.14 | μA   |
| VDD Capacitor                         |                 | From VDD to GND                           | 100  |                                  |      | nF   |

## ANALOG DIGITAL CONVERTER (ADC)

| Parameter       | Symbol         | Conditions                                | Min.                                 | Typ.                                 | Max                                  | Unit |
|-----------------|----------------|---|--------------------------------------|--------------------------------------|--------------------------------------|------|
| Output Word     |                |   |                                      | 24                                   |                                      | bit  |
| Conversion time | t <sub>c</sub> | OSR<br>4096<br>2048<br>1024<br>512<br>256 | 7.40<br>3.72<br>1.88<br>0.95<br>0.48 | 8.22<br>4.13<br>2.08<br>1.06<br>0.54 | 9.04<br>4.54<br>2.28<br>1.17<br>0.60 | ms   |

## PERFORMANCE SPECIFICATIONS (CONTINUED)

PRESSURE OUTPUT CHARACTERISTICS ( $V_{DD} = 3\text{ V}$ ,  $T = 25^\circ\text{C}$  UNLESS OTHERWISE NOTED)

| Parameter  | Conditions                                  | Min.  | Typ.  | Max   | Unit    |
|--|---|-------|-------|-------|---------|
| Operating Pressure Range   | $P_{\text{range}}$   Full Accuracy          | 0     |       | 5     | bar     |
| Absolute Accuracy, autozero at one pressure point<br>300...1100 mbar | at $20^\circ\text{C}$ , 300..1100 mbar      | -1.5  |       | +1.5  | mbar    |
|  | at $0..50^\circ\text{C}$ , 300..1100 mbar   | -4.0  |       | +4.0  |         |
|  | at $-40..85^\circ\text{C}$ , 300..1100 mbar | -15.0 |       | +15.0 |         |
| Absolute Accuracy, autozero at one pressure point<br>0...5000 mbar   | at $20^\circ\text{C}$ , 0..5000 mbar        | -80   |       | +80   | mbar    |
|  | at $0..50^\circ\text{C}$ , 0..5000 mbar     | -100  |       | +100  |         |
|  | at $-40..85^\circ\text{C}$ , 0..5000 mbar   | -120  |       | +120  |         |
| Maximum error with supply voltage (1)                                | $V_{DD} = 1.8\text{ V} \dots 3.6\text{ V}$  |       | +/-5  |       | mbar    |
| Long-term stability  |   |       | +/-1  |       | mbar/yr |
| Resolution RMS   | OSR   |       | 0.036 |       | mbar    |
|  | 4096  |       | 0.054 |       |         |
|  | 2048  |       | 0.081 |       |         |
|  | 1024  |       | 0.126 |       |         |
|  | 512   |       | 0.195 |       |         |
|  | 256   |       |       |       |         |

(1) With autozero at 3V point

TEMPERATURE OUTPUT CHARACTERISTICS ( $V_{DD} = 3\text{ V}$ ,  $T = 25^\circ\text{C}$  UNLESS OTHERWISE NOTED)

| Parameter                             | Conditions                                       | Min.         | Typ.   | Max          | Unit             |
|---------------------------------------|--|--------------|--------|--------------|------------------|
| Absolute Accuracy                     | $0..85^\circ\text{C}$<br>$-40..85^\circ\text{C}$ | -2.5<br>-5.0 |        | +2.5<br>+5.0 | $^\circ\text{C}$ |
| Maximum error with supply voltage (1) | $V_{DD} = 1.8\text{ V} \dots 3.6\text{ V}$       |              | +/-0.5 |              | $^\circ\text{C}$ |
| Resolution RMS                        | OSR  |              | 0.002  |              | $^\circ\text{C}$ |
|                                       | 4096   |              | 0.003  |              |                  |
|                                       | 2048   |              | 0.005  |              |                  |
|                                       | 1024   |              | 0.008  |              |                  |
|                                       | 512  |              | 0.012  |              |                  |
|                                       | 256  |              |        |              |                  |

(1) With autozero at 3V point

**PERFORMANCE SPECIFICATIONS (CONTINUED)**

**DIGITAL INPUTS (PS, CSB, DIN, SCLK, SDA, SCL)**

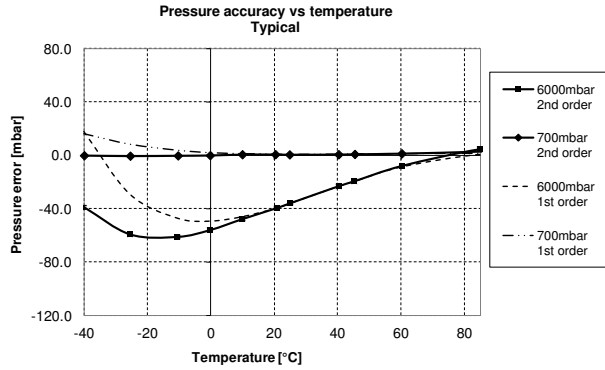
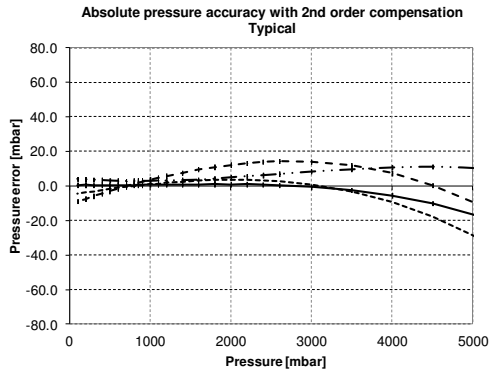
| Parameter             | Symbol   | Conditions   | Min.                | Typ. | Max                  | Unit |
|-----------------------|--|--------------|---------------------|------|----------------------|------|
| Serial data clock     | SCLK   | SPI protocol |                     | 2    | 20                   | MHz  |
| Serial data clock     | SCL  | I2C protocol |                     |      | 400                  | kHz  |
| Input high voltage    | V <sub>IH</sub>                                | Pins CSB     | 80% V <sub>DD</sub> |      | 100% V <sub>DD</sub> | V    |
| Input low voltage     | V <sub>IL</sub>                                |              | 0% V <sub>DD</sub>  |      | 20% V <sub>DD</sub>  | V    |
| Input leakage current | I <sub>leak25°C</sub><br>I <sub>leak85°C</sub> | at 25°C      |                     |      | 0.15                 | μA   |

**PRESSURE OUTPUTS (DOUT, SDA, SCL)**

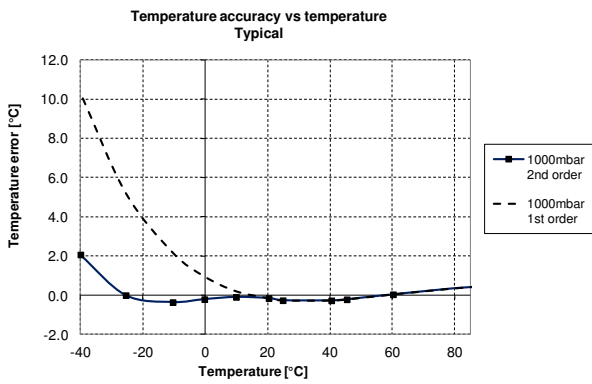
| Parameter           | Symbol            | Conditions                   | Min.                | Typ. | Max                  | Unit |
|---------------------|-------------------|------------------------------|---------------------|------|----------------------|------|
| Output high voltage | V <sub>OH</sub>   | I <sub>source</sub> = 0.6 mA | 80% V <sub>DD</sub> |      | 100% V <sub>DD</sub> | V    |
| Output low voltage  | V <sub>OL</sub>   | I <sub>sink</sub> = 0.6 mA   | 0% V <sub>DD</sub>  |      | 20% V <sub>DD</sub>  | V    |
| Load capacitance    | C <sub>LOAD</sub> |                              |                     | 16   |                      | pF   |

## PERFORMANCE CHARACTERISTICS

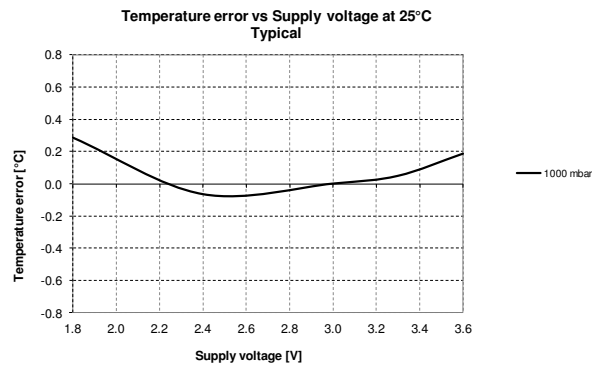
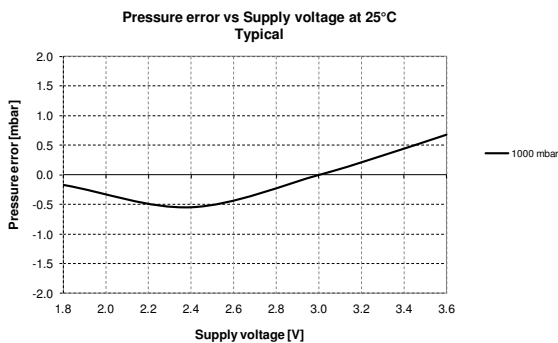
### PRESSURE ERROR VS PRESSURE AND TEMPERATURE



### TEMPERATURE ERROR VS TEMPERATURE



### PRESSURE AND TEMPERATURE ERROR VS POWER SUPPLY



**FUNCTIONAL DESCRIPTION**

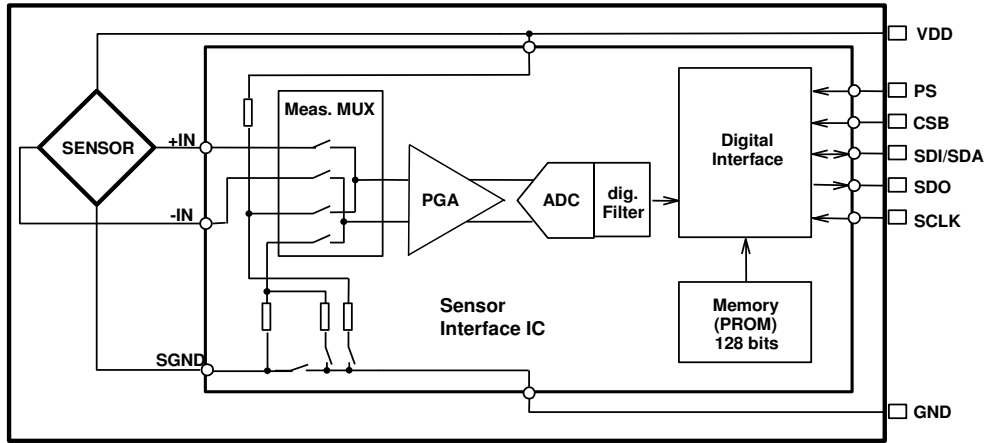


Figure 1: Block diagram of MS5803-05BA

**GENERAL**

The MS5803-05BA consists of a piezo-resistive sensor and a sensor interface IC. The main function of the MS5803-05BA is to convert the uncompensated analogue output voltage from the piezo-resistive pressure sensor to a 24-bit digital value, as well as providing a 24-bit digital value for the temperature of the sensor.

**FACTORY CALIBRATION**

Every module is individually factory calibrated at two temperatures and two pressures. As a result, 6 coefficients necessary to compensate for process variations and temperature variations are calculated and stored in the 128-bit PROM of each module. These bits (partitioned into 6 coefficients W1 to W6) must be read by the microcontroller software and used in the program converting D1 and D2 into compensated pressure and temperature values. The 2 coefficients W0 and W7 are for factory configuration and CRC.

**SERIAL INTERFACE**

The MS5803-05BA has built in two types of serial interfaces: SPI and I<sup>2</sup>C. Pulling the Protocol Select pin PS to low selects the SPI protocol, pulling PS to high activates the I<sup>2</sup>C bus protocol.

| Pin PS | Mode             | Pins used           |
|--------|------------------|---------------------|
| High   | I <sup>2</sup> C | SDA, SCL, CSB       |
| Low    | SPI              | SDI, SDO, SCLK, CSB |

**SPI MODE**

The external microcontroller clocks in the data through the input SCLK (Serial CLock) and SDI (Serial Data In). In the SPI mode module can accept both mode 0 and mode 3 for the clock polarity and phase. The sensor responds on the output SDO (Serial Data Out). The pin CSB (Chip Select) is used to enable/disable the interface, so that other devices can talk on the same SPI bus. The CSB pin can be pulled high after the command is sent or after the end of the command execution (for example end of conversion). The best noise performance from the module is obtained when the SPI bus is quiet and without communication to other devices during the ADC conversion in progress.

## I<sup>2</sup>C MODE

The external microcontroller clocks in the data through the input SCLK (Serial CLock) and SDA (Serial DATa). The sensor responds on the same pin SDA which is bidirectional for the I<sup>2</sup>C bus interface. So this interface type uses only 2 signal lines and does not require a chip select, which can be favourable to reduce board space. In I<sup>2</sup>C-Mode the complement of the pin CSB (Chip Select) represents the LSB of the I<sup>2</sup>C address. It is possible to use two sensors with two different addresses on the I<sup>2</sup>C bus. The pin CSB shall be connected to VDD or GND (do not leave unconnected!).

| Pin CSB | Address (7 bits) |
|---------|------------------|
| High    | 0x76 (1110110 b) |
| Low     | 0x77 (1110111 b) |

## COMMANDS

The MS5803-05BA has only five basic commands:

1. Reset
2. Read PROM (128 bit of calibration words)
3. D1 conversion
4. D2 conversion
5. Read ADC result (24 bit pressure / temperature)

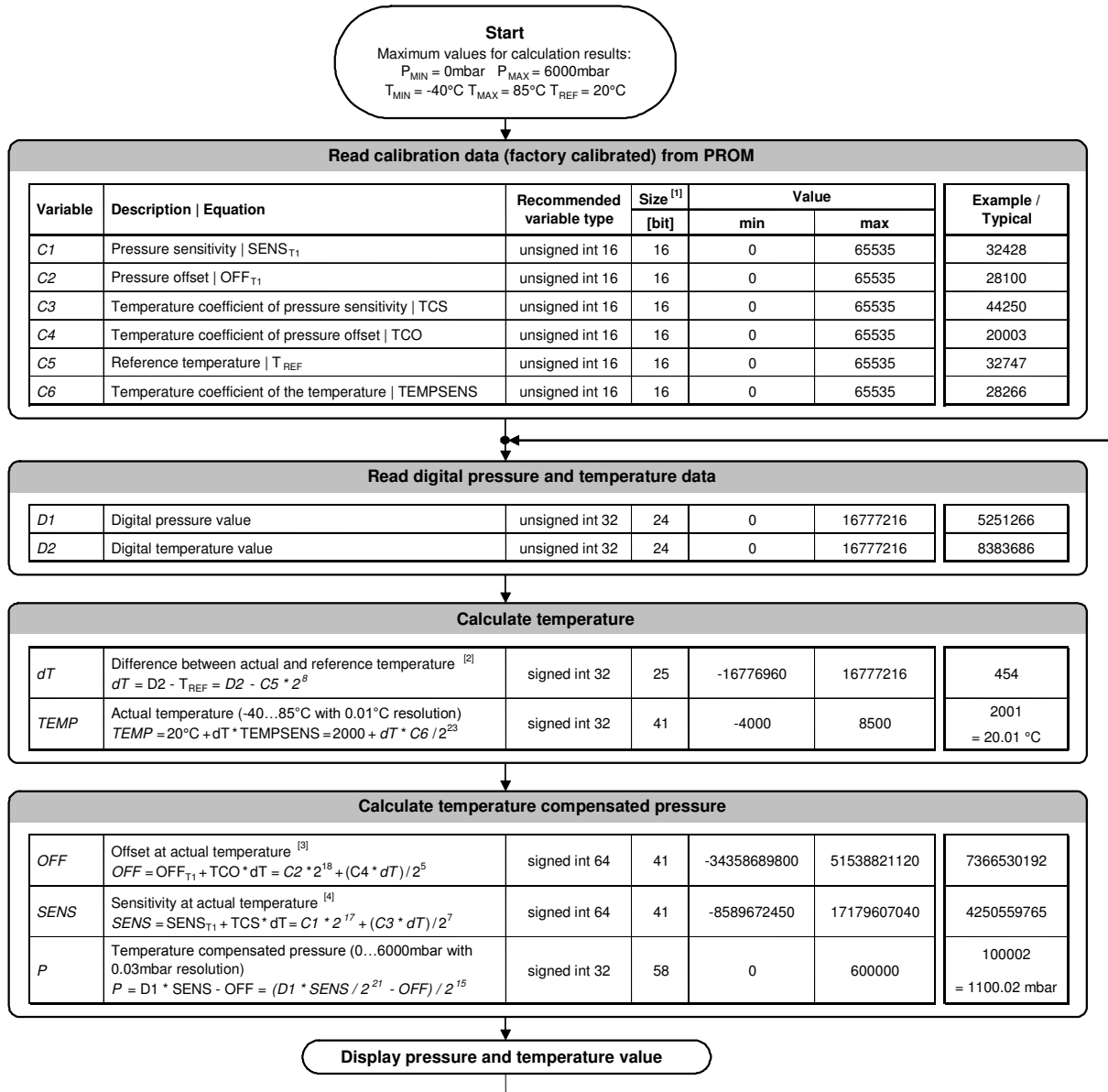
Size of each command is 1 byte (8 bits) as described in the table below. After ADC read commands the device will return 24 bit result and after the PROM read 16bit result. The address of the PROM is embedded inside of the PROM read command using the a2, a1 and a0 bits.

| Bit number            | Command byte |     |   |     |             |             |             |      | hex value       |
|-----------------------|--------------|-----|---|-----|-------------|-------------|-------------|------|-----------------|
|                       | 0            | 1   | 2 | 3   | 4           | 5           | 6           | 7    |                 |
| Bit name              | PR<br>M      | COV | - | Typ | Ad2/<br>Os2 | Ad1/<br>Os1 | Ad0/<br>Os0 | Stop |                 |
| Command               |              |     |   |     |             |             |             |      |                 |
| Reset                 | 0            | 0   | 0 | 1   | 1           | 1           | 1           | 0    | 0x1E            |
| Convert D1 (OSR=256)  | 0            | 1   | 0 | 0   | 0           | 0           | 0           | 0    | 0x40            |
| Convert D1 (OSR=512)  | 0            | 1   | 0 | 0   | 0           | 0           | 1           | 0    | 0x42            |
| Convert D1 (OSR=1024) | 0            | 1   | 0 | 0   | 0           | 1           | 0           | 0    | 0x44            |
| Convert D1 (OSR=2048) | 0            | 1   | 0 | 0   | 0           | 1           | 1           | 0    | 0x46            |
| Convert D1 (OSR=4096) | 0            | 1   | 0 | 0   | 1           | 0           | 0           | 0    | 0x48            |
| Convert D2 (OSR=256)  | 0            | 1   | 0 | 1   | 0           | 0           | 0           | 0    | 0x50            |
| Convert D2 (OSR=512)  | 0            | 1   | 0 | 1   | 0           | 0           | 1           | 0    | 0x52            |
| Convert D2 (OSR=1024) | 0            | 1   | 0 | 1   | 0           | 1           | 0           | 0    | 0x54            |
| Convert D2 (OSR=2048) | 0            | 1   | 0 | 1   | 0           | 1           | 1           | 0    | 0x56            |
| Convert D2 (OSR=4096) | 0            | 1   | 0 | 1   | 1           | 0           | 0           | 0    | 0x58            |
| ADC Read              | 0            | 0   | 0 | 0   | 0           | 0           | 0           | 0    | 0x00            |
| PROM Read             | 1            | 0   | 1 | 0   | Ad2         | Ad1         | Ad0         | 0    | 0xA0 to<br>0xAE |

Figure 2: Command structure



PRESSURE AND TEMPERATURE CALCULATION



- Notes
- [1] Maximal size of intermediate result during evaluation of variable
  - [2] min and max have to be defined
  - [3] min and max have to be defined
  - [4] min and max have to be defined

Figure 2: Flow chart for pressure and temperature reading and software compensation.

**SECOND ORDER TEMPERATURE COMPENSATION**

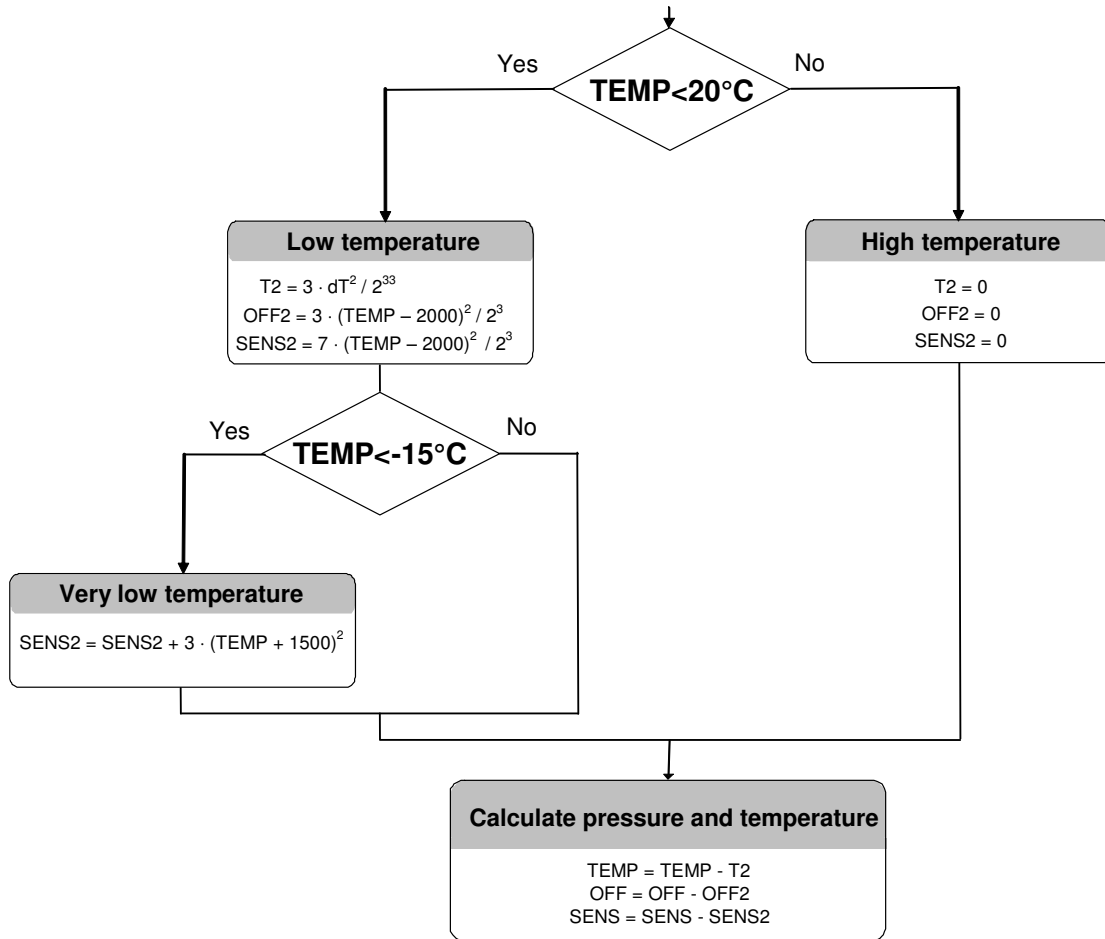


Figure 3: Flow chart for pressure and temperature to the optimum accuracy.

## SPI INTERFACE

### RESET SEQUENCE

The Reset sequence shall be sent once after power-on to make sure that the calibration PROM gets loaded into the internal register. It can be also used to reset the device ROM from an unknown condition

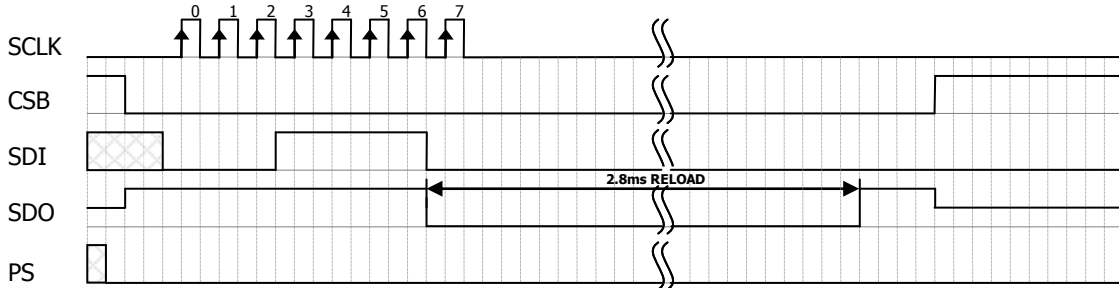


Figure 5: Reset command sequence SPI mode 0

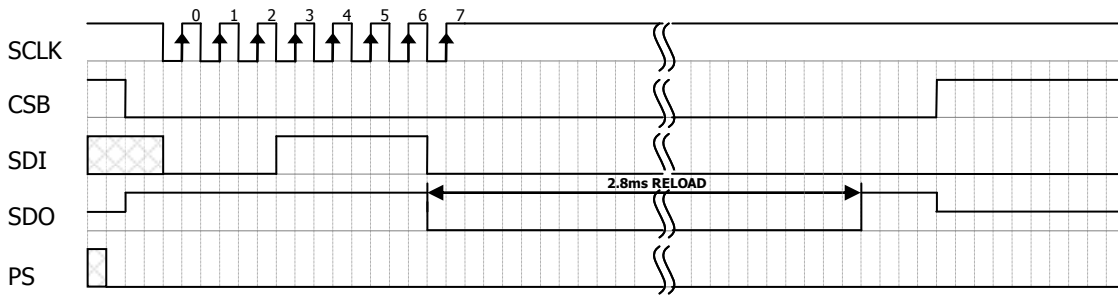


Figure 6: Reset command sequence SPI mode 3

**CONVERSION SEQUENCE**

The conversion command is used to initiate uncompensated pressure (D1) or uncompensated temperature (D2) conversion. The chip select can be disabled during this time to communicate with other devices.

After the conversion, using ADC read command the result is clocked out with the MSB first. If the conversion is not executed before the ADC read command, or the ADC read command is repeated, it will give 0 as the output result. If the ADC read command is sent during conversion the result will be 0, the conversion will not stop and the final result will be wrong. Conversion sequence sent during the already started conversion process will yield incorrect result as well.

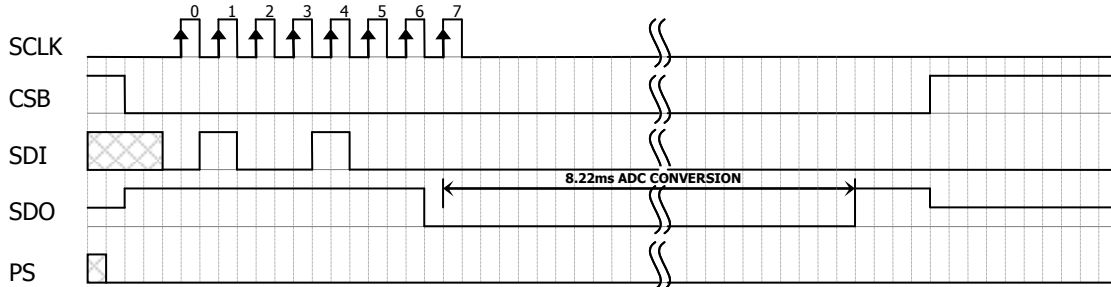


Figure 7: Conversion out sequence, Typ=d1, OSR = 4096

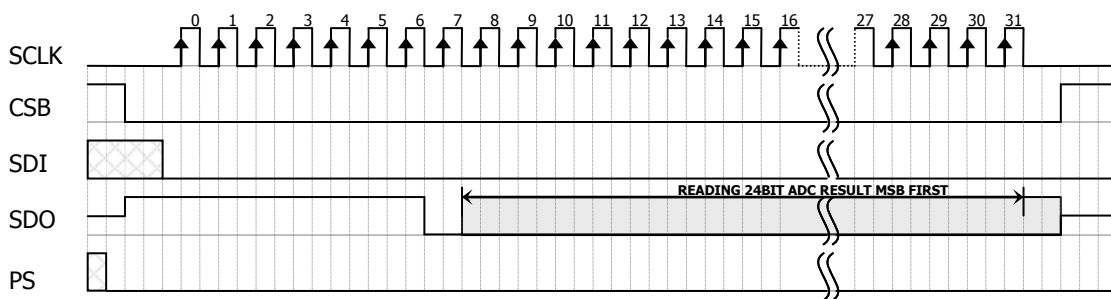


Figure 8: ADC Read sequence

**PROM READ SEQUENCE**

The read command for PROM shall be executed once after reset by the user to read the content of the calibration PROM and to calculate the calibration coefficients. There are in total 8 addresses resulting in a total memory of 128 bit. Address 0 contains factory data and the setup, addresses 1-6 calibration coefficients and address 7 contains the serial code and CRC. The command sequence is 8 bits long with a 16 bit result which is clocked with the MSB first.

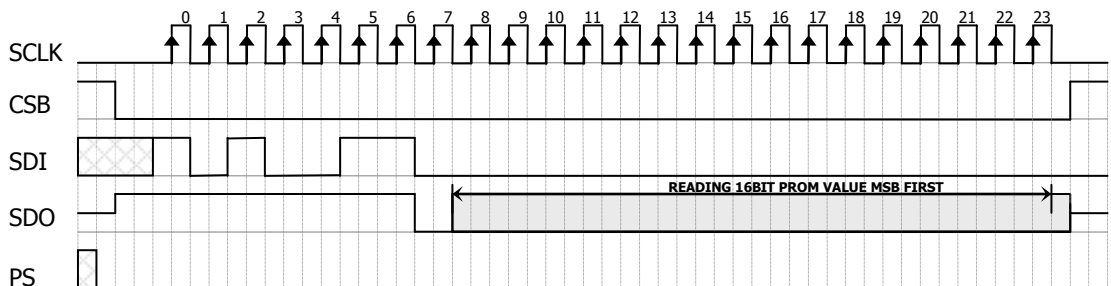


Figure 9: PROM Read sequence, address = 011 (Coefficient 3).

## I<sup>2</sup>C INTERFACE

### COMMANDS

Each I<sup>2</sup>C communication message starts with the start condition and it is ended with the stop condition. The MS5803-05BA address is 111011Cx, where C is the complementary value of the pin CSB. Since the IC does not have a microcontroller inside, the commands for I<sup>2</sup>C and SPI are quite similar.

### RESET SEQUENCE

The reset can be sent at any time. In the event that there is not a successful power on reset this may be caused by the SDA being blocked by the module in the acknowledge state. The only way to get the MS5803-05BA to function is to send several SCLKs followed by a reset sequence or to repeat power on reset.

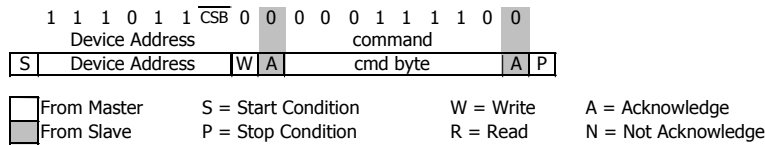


Figure 10: I<sup>2</sup>C Reset Command

### CONVERSION SEQUENCE

A conversion can be started by sending the command to MS5803-05BA. When command is sent to the system it stays busy until conversion is done. When conversion is finished the data can be accessed by sending a Read command, when an acknowledge appears from the MS5803-05BA, 24 SCLK cycles may be sent to receive all result bits. Every 8 bit the system waits for an acknowledge signal.

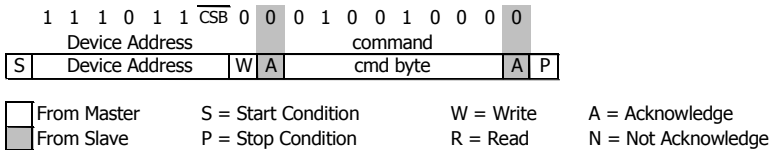


Figure 13: I<sup>2</sup>C Command to initiate a pressure conversion (OSR=4096, typ=D1)

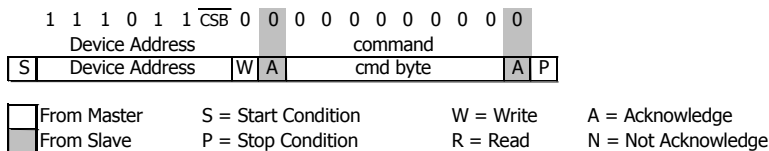


Figure 14: I<sup>2</sup>C ADC read sequence

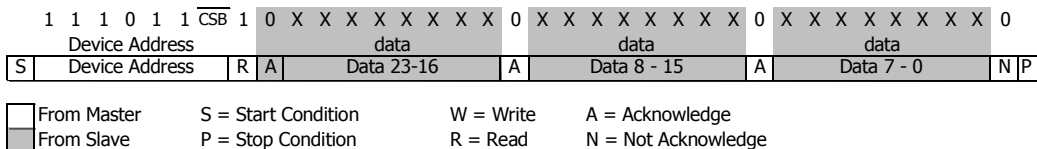


Figure 15: I<sup>2</sup>C answer from MS5803-05BA

**PROM READ SEQUENCE**

The PROM Read command consists of two parts. First command sets up the system into PROM read mode. The second part gets the data from the system.

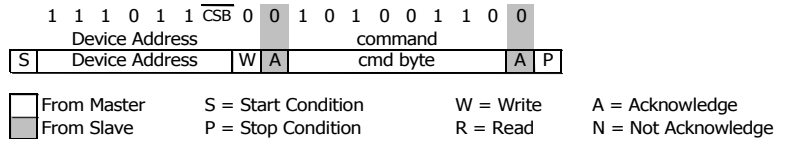


Figure 11: I<sup>2</sup>C Command to read memory address= 011 (Coefficient 3)

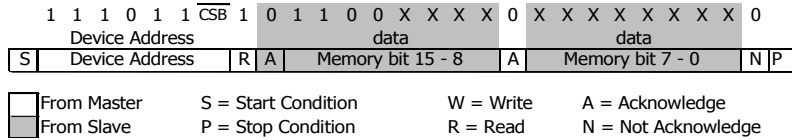


Figure 12: I<sup>2</sup>C answer from MS5803-05BA

**CYCLIC REDUNDANCY CHECK (CRC)**

MS5803-05BA contains a PROM memory with 128-Bit. A 4-bit CRC has been implemented to check the data validity in memory. The application note AN520 describes in detail CRC-4 code used.

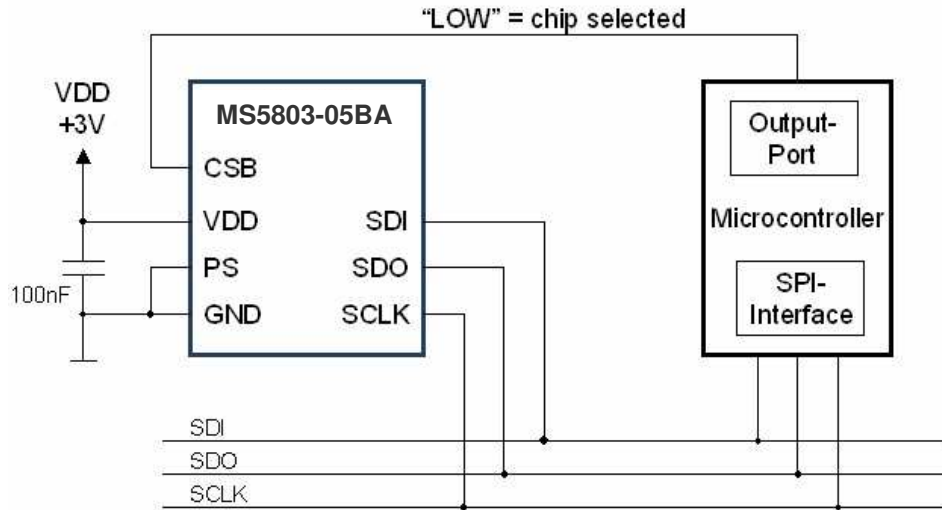
|   |                                  |   |   |   |   |   |   |   |   |   |   |   |   |   |   |   |   |   |   |     |
|---|----------------------------------|---|---|---|---|---|---|---|---|---|---|---|---|---|---|---|---|---|---|-----|
| A | D                                | D | D | D | D | D | D | D | D | D | D | D | D | D | D | D | D | D | D |     |
| d | B                                | B | B | B | B | B | B | B | B | B | B | B | B | B | B | B | B | B | B | B   |
| d | 1                                | 1 | 1 | 1 | 1 | 1 | 1 | 9 | 8 | 7 | 6 | 5 | 4 | 3 | 2 | 1 | 0 |   |   |     |
| 0 | 16 bit reserved for manufacturer |   |   |   |   |   |   |   |   |   |   |   |   |   |   |   |   |   |   |     |
| 1 | Coefficient 1 (16 bit unsigned)  |   |   |   |   |   |   |   |   |   |   |   |   |   |   |   |   |   |   |     |
| 2 | Coefficient 2 (16 bit unsigned)  |   |   |   |   |   |   |   |   |   |   |   |   |   |   |   |   |   |   |     |
| 3 | Coefficient 3 (16 bit unsigned)  |   |   |   |   |   |   |   |   |   |   |   |   |   |   |   |   |   |   |     |
| 4 | Coefficient 4 (16 bit unsigned)  |   |   |   |   |   |   |   |   |   |   |   |   |   |   |   |   |   |   |     |
| 5 | Coefficient 5 (16 bit unsigned)  |   |   |   |   |   |   |   |   |   |   |   |   |   |   |   |   |   |   |     |
| 6 | Coefficient 6 (16 bit unsigned)  |   |   |   |   |   |   |   |   |   |   |   |   |   |   |   |   |   |   |     |
| 7 |                                  |   |   |   |   |   |   |   |   |   |   |   |   |   |   |   |   |   |   | CRC |

Figure 16: Memory PROM mapping

## APPLICATION CIRCUIT

The MS5803-05BA is a circuit that can be used in conjunction with a microcontroller in mobile altimeter applications. It is designed for low-voltage systems with a supply voltage of 3 V.

### SPI protocol communication



### I<sup>2</sup>C protocol communication

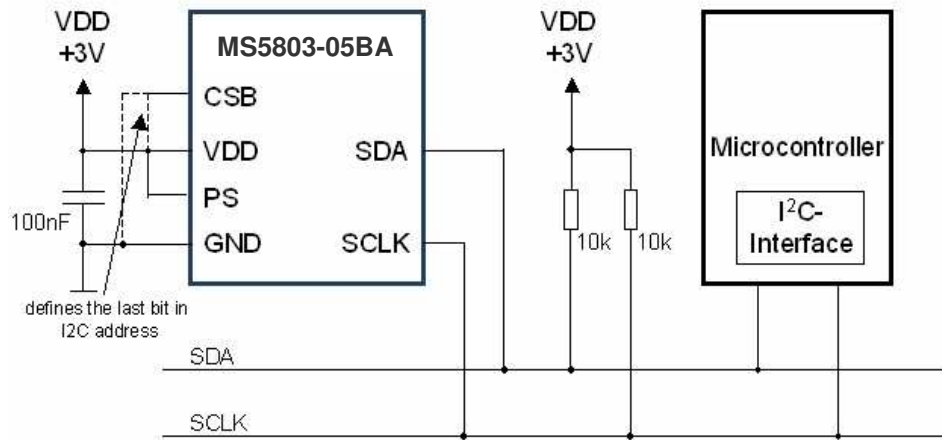


Figure 17: Typical application circuit with SPI / I<sup>2</sup>C protocol communication

**PACKAGE OUTLINE AND PIN CONFIGURATION**

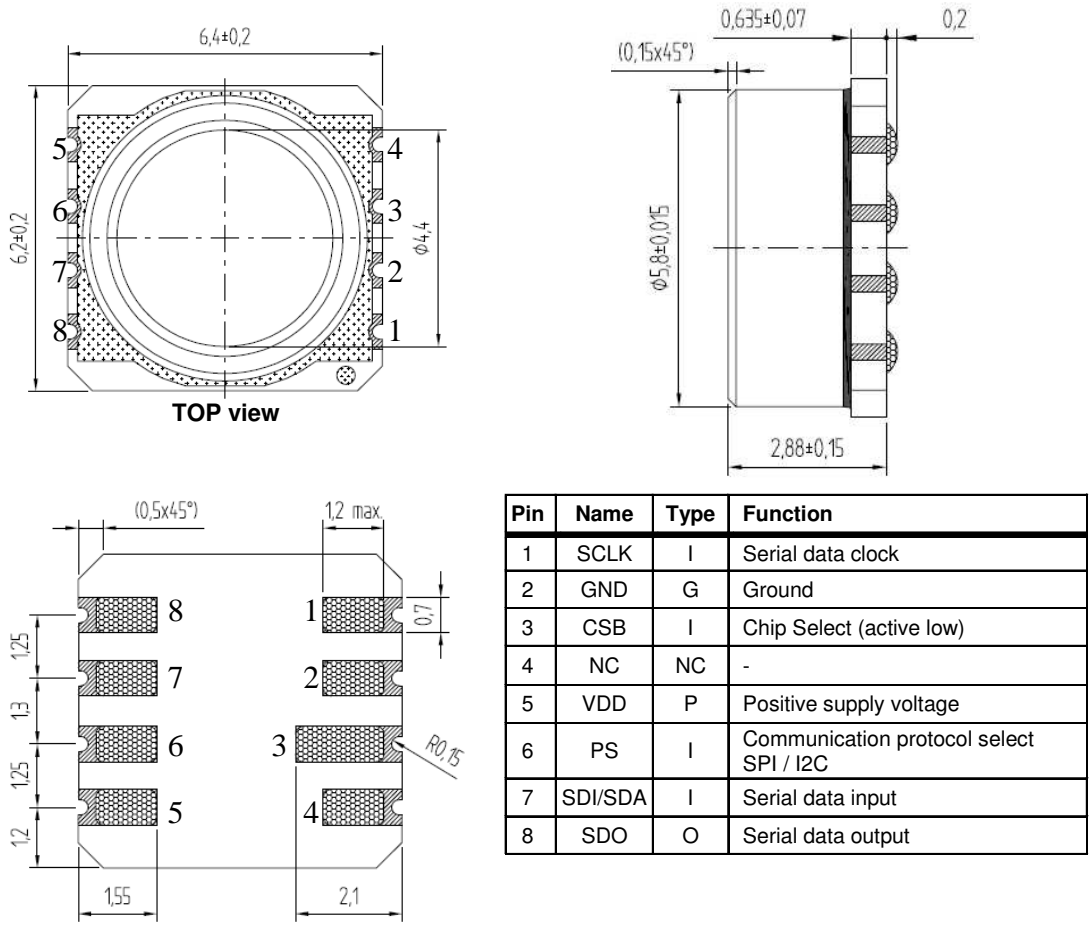
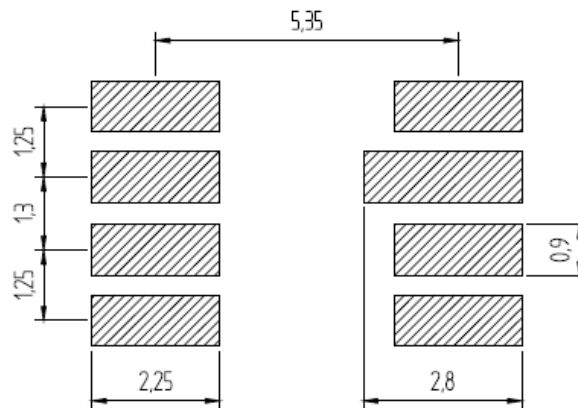


Figure 17: MS5803-05BA package outlines, pin configuration and description

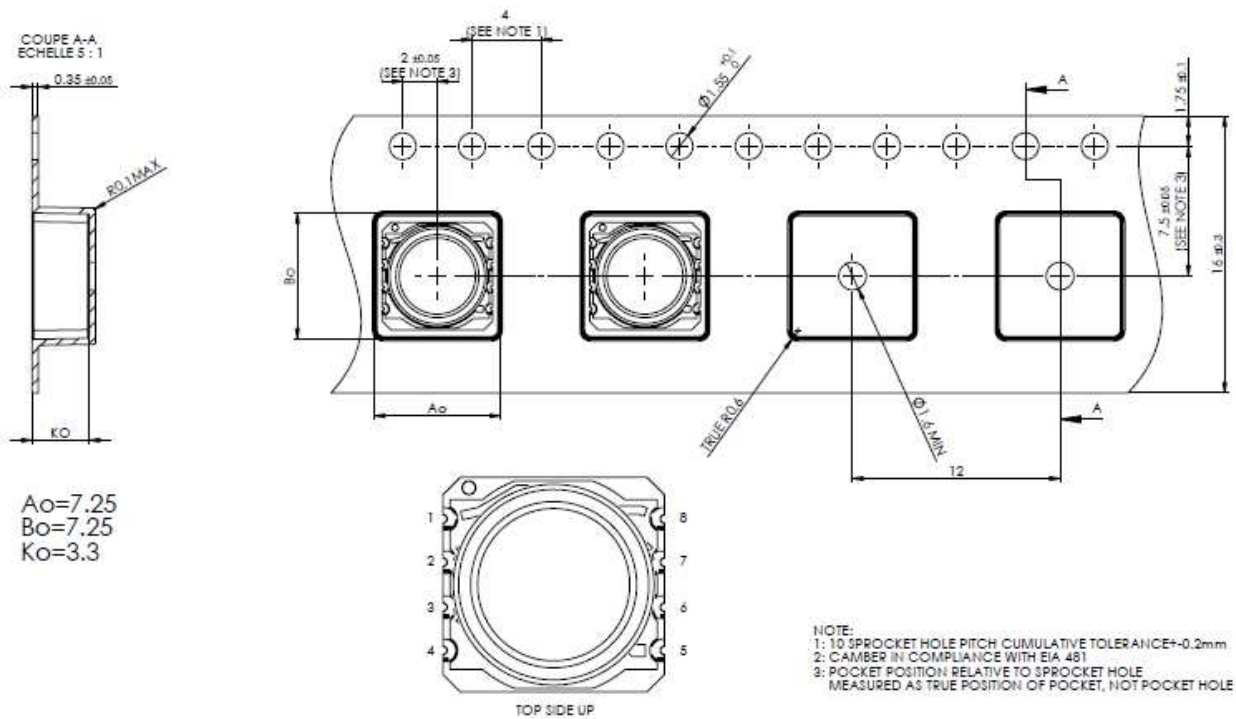
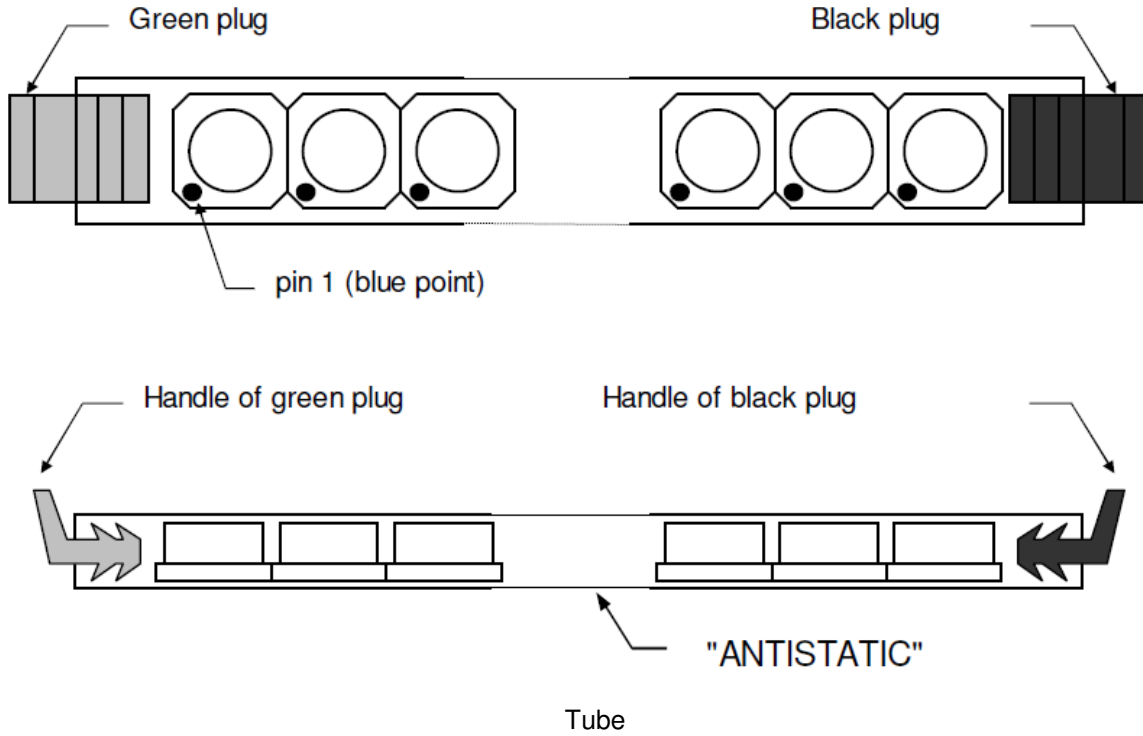
- Notes:**
- (1) Dimensions in mm
  - (2) General tolerance ±0.1
  - (3) Cap centering ± 0.15 from center of the ceramic

**RECOMMENDED PAD LAYOUT**





**SHIPPING PACKAGE**



Tape & reel

## MOUNTING AND ASSEMBLY CONSIDERATIONS

### SOLDERING

Please refer to the application note AN808 available on our website for all soldering issues.

### MOUNTING

The MS5803-05BA can be placed with automatic Pick & Place equipment using vacuum nozzles. It will not be damaged by the vacuum. Due to the low stress assembly the sensor does not show pressure hysteresis effects. It is important to solder all contact pads.

### CONNECTION TO PCB

The package outline of the module allows the use of a flexible PCB for interconnection. This can be important for applications in watches and other special devices.

### SEALING WITH O-RINGS

In products like outdoor watches the electronics must be protected against direct water or humidity. For those products the MS5803-05BA provides the possibility to seal with an O-ring. The protective cap of the MS5803-05BA is made of special anticorrosive stainless steel with a polished surface. In addition to this the MS5803-05BA is filled with silicone gel covering the sensor and the bonding wires. The O-ring (or O-rings) shall be placed at the outer diameter of the metal cap. This method avoids mechanical stress because the sensor can move in vertical direction.

### CLEANING

The MS5803-05BA has been manufactured under cleanroom conditions. It is therefore recommended to assemble the sensor under class 10'000 or better conditions. Should this not be possible, it is recommended to protect the sensor opening during assembly from entering particles and dust. To avoid cleaning of the PCB, solder paste of type "no-clean" shall be used. Cleaning might damage the sensor!

### ESD PRECAUTIONS

The electrical contact pads are protected against ESD up to 4 kV HBM (human body model). It is therefore essential to ground machines and personnel properly during assembly and handling of the device. The MS5803-05BA is shipped in antistatic transport boxes. Any test adapters or production transport boxes used during the assembly of the sensor shall be of an equivalent antistatic material.

### DECOUPLING CAPACITOR

Particular care must be taken when connecting the device to the power supply. A 100 nF ceramic capacitor must be placed as close as possible to the MS5803-05BA VDD pin. This capacitor will stabilize the power supply during data conversion and thus, provide the highest possible accuracy.

## MS5803-05BA

Miniature Altimeter and Diving Module

### ORDERING INFORMATION

| Part Number / Art. Number | Product   | Delivery Form     |
|---------------------------|---|-------------------|
| MS580305BA01-00           | MS5803-05BA Miniature Altimeter and Diving Module     | Tube              |
| MS580305BA01-50           | MS5803-05BA Miniature Altimeter and Diving Module T&R | Tape& reel TOP-UP |

#### NORTH AMERICA

Measurement Specialties, Inc.,  
a TE Connectivity Company  
45738 Northport Loop West  
Fremont, CA 94538  
Tel: +1 800 767 1888  
Fax: +1 510 498 1578  
e-mail: pfg.cs.amer@meas-spec.com  
Website: www.meas-spec.com

#### EUROPE

Measurement Specialties (Europe), Ltd.,  
a TE Connectivity Company  
Switzerland Sàrl  
Ch. Chapons-des-Prés 11  
CH-2022 Bevaix  
Tel: +41 32 847 9550  
Fax: + 41 32 847 9569  
e-mail: sales.ch@meas-spec.com  
Website: www.meas-spec.com

#### ASIA

Measurement Specialties (China), Ltd.,  
a TE Connectivity Company  
No. 26 Langshan Road  
Shenzhen High-Tech Park (North) Nanshan  
District, Shenzhen, 518057 China  
Tel: +86 755 3330 5088  
Fax: +86 755 3330 5099  
e-mail: pfg.cs.asia@meas-spec.com  
Website: www.meas-spec.com

#### TE.com/sensorsolutions

Measurement Specialties, Inc., a TE Connectivity company.

Measurement Specialties, TE Connectivity, TE Connectivity (logo) and EVERY CONNECTION COUNTS are trademarks. All other logos, products and/or company names referred to herein might be trademarks of their respective owners.

The information given herein, including drawings, illustrations and schematics which are intended for illustration purposes only, is believed to be reliable. However, TE Connectivity makes no warranties as to its accuracy or completeness and disclaims any liability in connection with its use. TE Connectivity's obligations shall only be as set forth in TE Connectivity's Standard Terms and Conditions of Sale for this product and in no case will TE Connectivity be liable for any incidental, indirect or consequential damages arising out of the sale, resale, use or misuse of the product. Users of TE Connectivity products should make their own evaluation to determine the suitability of each such product for the specific application.

© 2015 TE Connectivity Ltd. family of companies All Rights Reserved.

DA5803-05BA\_007  
000058031628 ECN1702