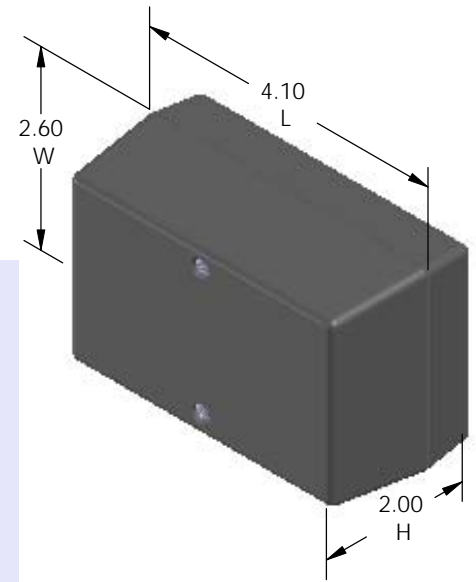
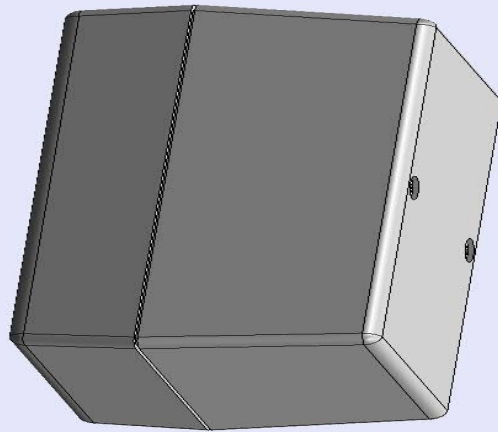


# SERPAC 122R (3D exploded)

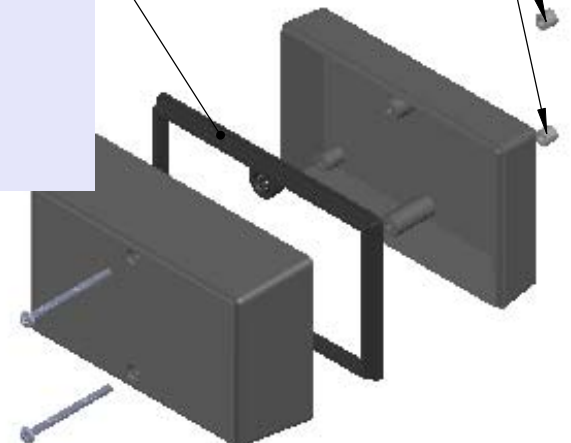
Electronic Enclosures

- Click on image to show toolbar. Use  to Play/Pause Animation.
- Left click and drag on image to move 3D model.



Threaded inserts only have to be assembled the first time.

Water proofing gasket PS12 optional. see note #2



- a) Zoom in & out with center wheel.
- b) Pause at any moment to view and or print views.
- c) Change the views to ortho and section views if needed from the Views pull down menu.
- d) Explore options included in the tool bar like: Views, Transparency of model, Lighting type, etc.

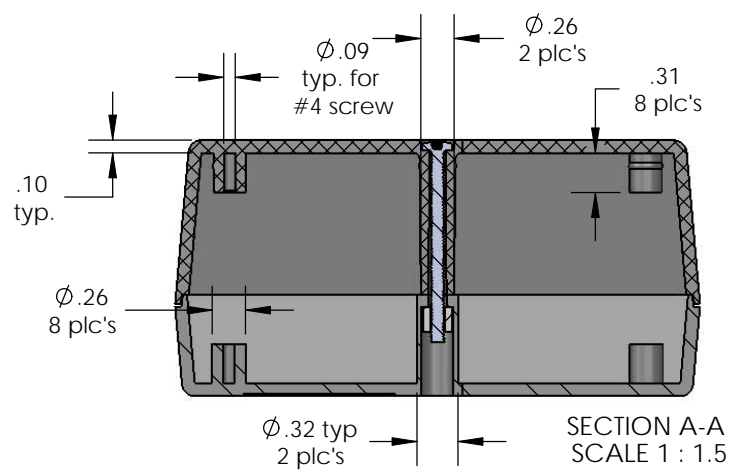
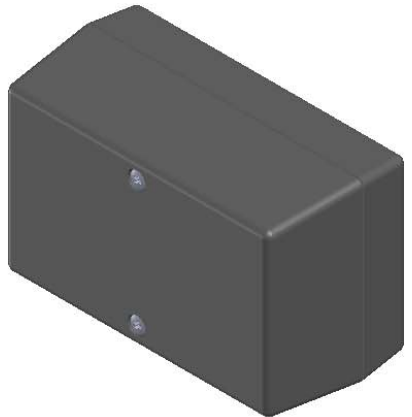
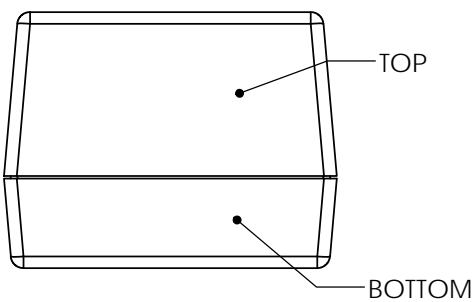
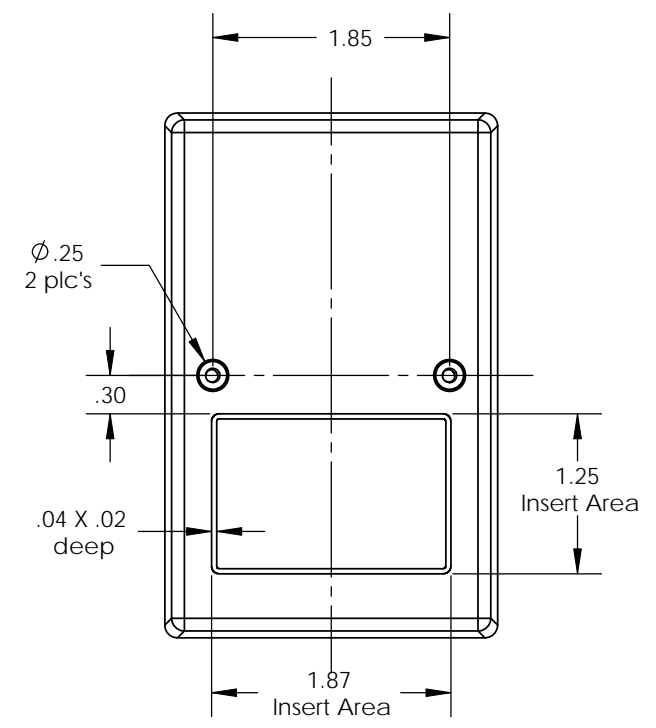
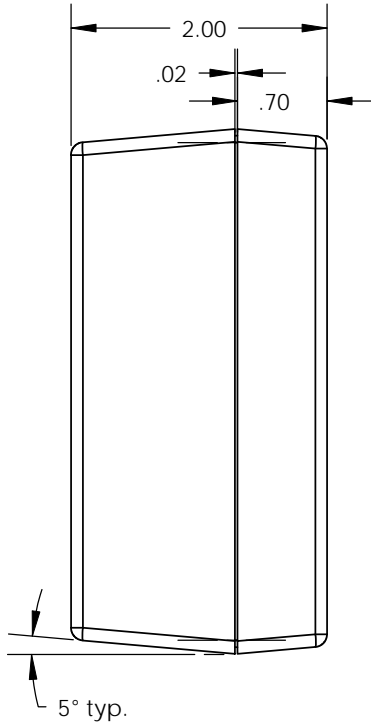
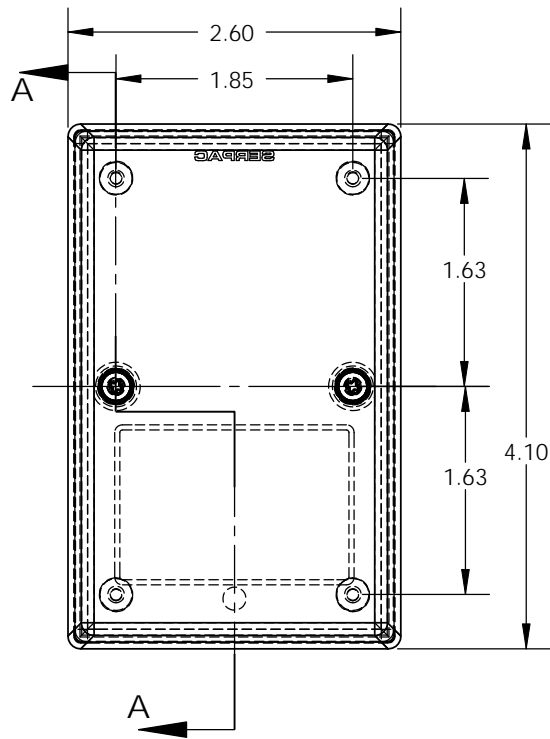
PART NO.	DESCRIPTION (Included)	ACCESSORIES (Optional)	
2-2R	TOP	PART NO.	DESCRIPTION
12	BOTTOM	PS 12	Perimeter Seal
6018	4-40 SCREW (2)		
6102	THREADED INSERTS (2)		

- Notes:
- Enclosure weight .18 lbs / 82 gm
  - 1) Enclosure meets or exceeds IP40 and NEMA 1
  - 2) When used with PS12 the enclosure meets or exceeds IP 67 and NEMA 4X, 12 and 13 MIL-STD-810G 506.5
  - 3) Circuit Board drawings can be download at: [http://www.serpac.com/Accessories/CircuitBoard/drawings/CB\\_12X.pdf](http://www.serpac.com/Accessories/CircuitBoard/drawings/CB_12X.pdf)
  - 4) All components are RoHS Compliant.

ALL DIMENSIONS ARE ± .010" 7/29/10 (1 of 2)  
 2009 Wright Ave. La Verne, CA 91750  
 Ph. (626) 331-0517 Fx. (626) 331-8584 [serpac.com](http://serpac.com)

# SERPAC 122R (user print)

Electronic Enclosures



PART NO.	DESCRIPTION (Included)	ACCESSORIES (Optional)	
2-2R	TOP	PART NO.	DESCRIPTION
12	BOTTOM	PS12	Perimeter Seal
6018	4-40 SCREW (2)		
6102	THREADED INSERTS (2)		

Notes: Enclosure weight .18 lbs / 82 gm  
 1) Enclosure meets or exceeds IP40 and NEMA 1  
 2) When used with PS12 the enclosure meets or exceeds IP 67 and NEMA 4X, 12 and 13 MIL-STD-810G 506.5  
 3) Circuit Board drawings can be download at:  
[http://www.serpac.com/Accessories/CircuitBoard/drawings/CB\\_12X.pdf](http://www.serpac.com/Accessories/CircuitBoard/drawings/CB_12X.pdf)  
 4) All components are RoHS Compliant.

**ALL DIMENSIONS ARE ± .010" 7/29/10 (2 of 2)**  
 2009 Wright Ave. La Verne, CA 91750  
 Ph. (626) 331-0517 Fx. (626) 331-8584 [www.serpac.com](http://www.serpac.com)