



Copyright FCI



FCI

FCIconnect.com

APP:U

FILE:U

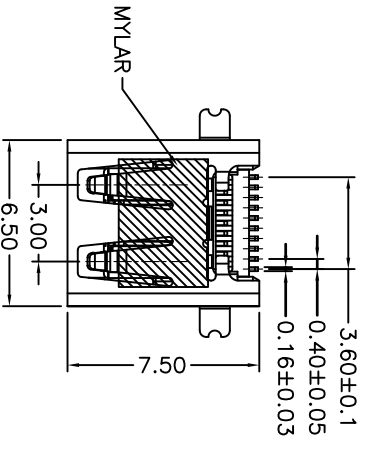


PART NUMBER
10118241-001RLF

1 | 2

3 |

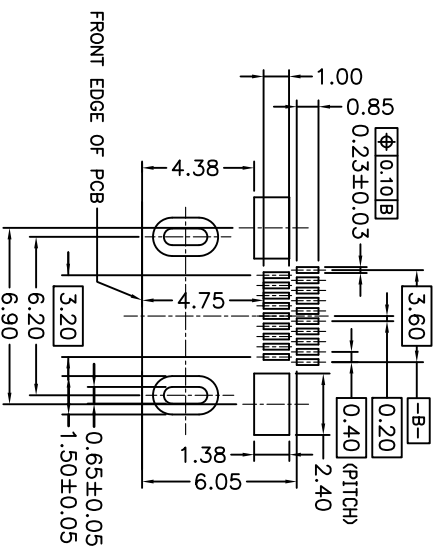
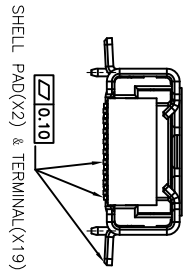
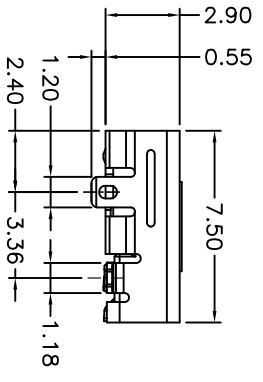
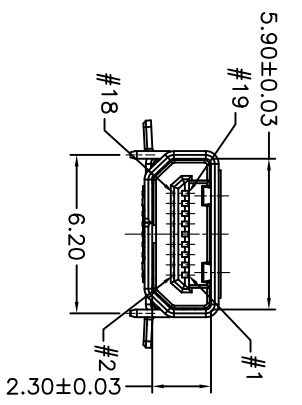
4



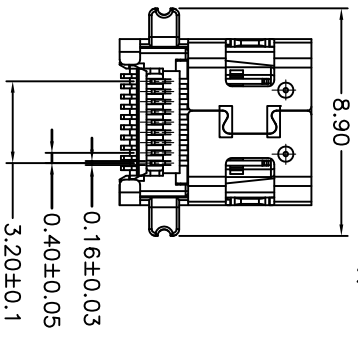
PART NO. DESCRIPTION:
10118241-00XXLF

ROHS COMPATIBLE
PACKING TYPE
R:TAPE & REEL
CONTACT AREA PLATING
1:Au 15U"

- NOTES:
- MATERIAL:
HOUSING: LCP+30%GF ,UL94 V-0,BLACK
TERMINAL: COPPER ALLOY,
SHELL: STAINLESS STEEL
 - FINISH:
CONTACT AREA: GOLD PLATED
CONTACT SOLDER AREA: GOLD FLASH PLATED
SHELL: TIN PLATED
UNDER NICKEL PLATED OVER ALL.
 - PRODUCT SPECIFICATION: GS-12-0983.
 - PACKAGING SPECIFICATION: GS-14-2164.
 - THE PRODUCT MEETS EUROPEAN UNION DIRECTIVES AND OTHER COUNTRY REGULATIONS AS DESCRIBED IN GS-22-008,
 - THE CONNECTOR CAN WITHSTAND EXPOSURE TO 260 DEGREE C PEAK TEMPERATURE FOR 10 SECONDS IN IR REFLDOW OVEN.



RECOMMENDED PCB LAYOUT (XX±0.05)
CONNECTOR SIDE (TOP VIEW)



1

2

3

4

form: AdmmXlc

B

A

A

B

B

mat'l. code		surface		tolerance		projection		product family	
lfr	ecn no	dr	date	ASME Y14.5	ASME Y14.5	ASME Y14.5	ASME Y14.5	title	HDMI
A	LS	09/13/11		tolerances unless otherwise specified				HDMI TYPE D RECEPTACLE	
				angles	.X±0.25		MM		
					.XX±0.20				
				X ^{±1} °	.XXX±		scale		
				dr	LEIF SHEN 08/13/11			dwg no	sheet 1 of 1
				engr	LEIF SHEN 08/13/11			10118241	size
				chr	GARY HSEIH 08/13/11				A4
				appd	GARY HSEIH 08/13/11				CUSTOMER Drawing
Sheet	revision	A							
Index	Sheet	1							

5