

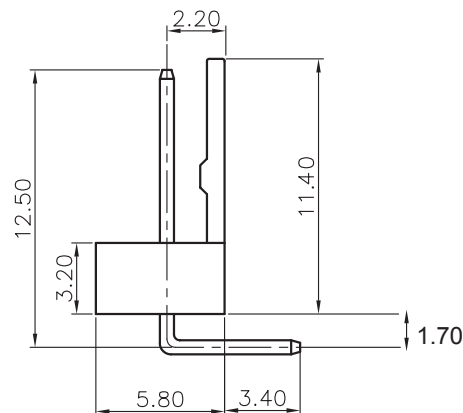
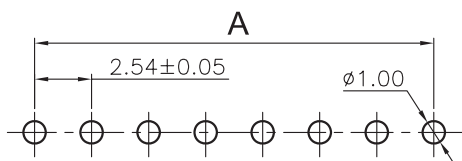
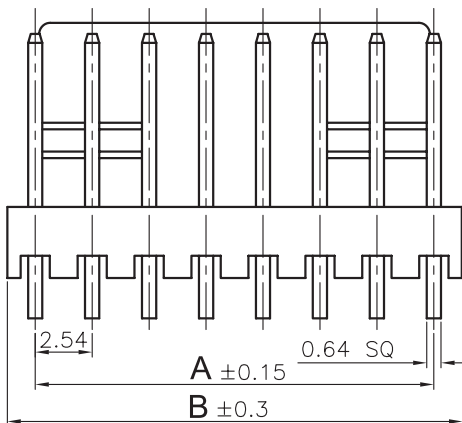
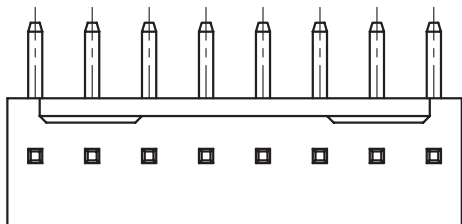
1

2

3

4

5



#### TECHNICAL CHARACTERISTICS

MATERIAL  
INSULATOR: NYLON 66  
FLAMABILITY RATING: UL94-V0  
COLOR: BEIGE  
CONTACT MATERIAL: COPPER ALLOY  
CONTACT TYPE: STAMPED  
CONTACT PLATING: TIN  
QUALITY CLASS: 25 MATING CYCLES  
PITCH: 2.54MM

ENVIRONMENTAL  
OPERATING TEMPERATURE: -40 UP TO 105°C  
COMPLIANCE: LEAD FREE AND ROHS

ELECTRICAL  
CURRENT RATING: 3A  
WORKING VOLTAGE: 250V AC  
INSULATOR RESISTANCE: >1000 MOHM  
DIELECTRIC WITHSTANDING VOLTAGE: 1000V AC/MN  
CONTACT RESISTANCE: 20 mOHM MAX

STANDARD  
CERTIFIED: E323964

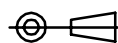
SOLDERING  
SOLDER TEMP.: JEDEC LEAD FREE WAVE SOLDERING

PACKAGING  
BAG

DIMENSION  
A = 2.54 x (NB. PIN - 1)  
B = 2.54 x (NB. PIN) + 0.04

RoHS Compliant

PROJECTION:



GENERAL TOLERANCE

.X = +/- 0.2

.XX = +/- 0.15



APPROVAL: RJ

UNIT: MM

SCALE:

SHEET: 1/1

DRAW: PEARL

DESCRIPTION: 2.54 MM MALE RIGHT ANGLED BOTTOM LOCKING HEADER

WERI PART NO: 6190xx11021

SIZE

A4

G					GENERAL TOLERANCE .X = +/- 0.2 .XX = +/- 0.15		DESCRIPTION: 2.54 MM MALE RIGHT ANGLED BOTTOM LOCKING HEADER	SIZE <b>A4</b>
F								
E	06-AUG-13	CHARACTERISTIC	QL					
D	17-NOV-09	STANDARD	JP					
C	24-APR-07	ADD DIMENSION	EC	APPROVAL: RJ	UNIT: MM	DESCRIPTION: 2.54 MM MALE RIGHT ANGLED BOTTOM LOCKING HEADER		SIZE <b>A4</b>
B	30-JAN-07	DRAW	EC		SCALE:	DESCRIPTION: 2.54 MM MALE RIGHT ANGLED BOTTOM LOCKING HEADER		
A	28-FEB-06	PDF	JP		SHEET: 1/1	WERI PART NO: 6190xx11021		
REV	DATE	FILE	BY		DRAW: PEARL	WERI PART NO: 6190xx11021		