



GPS click™ L10

1. Introduction



GPS Click - L10 is an accessory board in **mikroBus™** form factor. It's a compact solution for adding GPS functionality to your device. It features **Quectel® L10**, high performance MTK positioning engine. GPS Click - L10 communicates with target board through UART or I²C interface. Data can be acquired using PC application through USB connection. Board features connector compatible with active and passive antennas. It can operate on 3.3V power supply only.

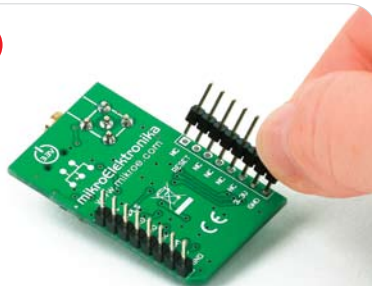
2. Soldering the headers

Before using your click board, make sure to solder the provided 1x8 male headers to both sides of the board. Two 1x8 male headers are included with the board in the package.



1

2



Turn the board upside down, so that bottom side is facing you upwards. Place shorter parts of the header pins in both soldering pad locations.

3



Turn the board upward again. Make sure to align the headers so that they are perpendicular to the board, then solder the pins carefully.

3. Plugging the board in



Once you have soldered the headers your board is ready to be placed into desired mikroBUS™ socket. Make sure to align the cut in the lower-right part of the board with the markings on the silkscreen at the mikroBUS™ socket. If all of pins are aligned correctly, push the board all the way into the socket.



4. Features and applications

GPS Click - L10 board with its **Quectel® L10** module supports 210 PRN channels, with 66 search channels and 22 simultaneous tracking channels. It has low tracking power consumption of 38mA, 4Mbit flash memory, superior anti-jamming design, and up to 5Hz update rate. Its ease of integration results in fast time-to-market in a wide range of automotive, consumer and industrial applications.

click™
BOARD
www.mikroe.com

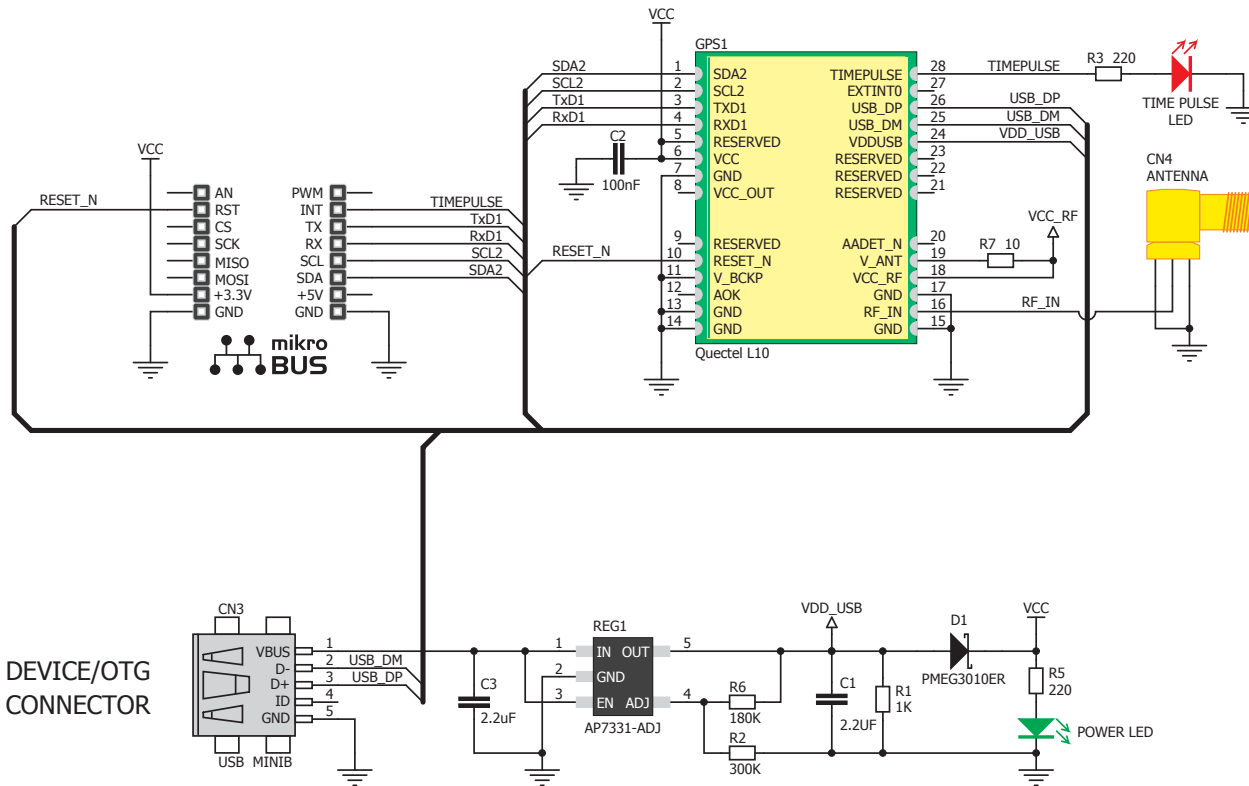


GPS click L10 Manual
ver. 1.00



0 100000 019849

5. GPS click L10 Board Schematics



6. Power supply - 3.3V only



Board is designed to use 3.3V power supply only. If you need to add GPS feature to your 5V prototype or development board, we recommend you to use other boards such as the SmartGPS Accessory Board:

<http://www.mikroe.com/eng/products/view/122/smartgps-board/>

7. Code Examples

Once you have done all the necessary preparations, it's time to get your click board up and running. We have provided the examples for mikroC, mikroBasic and mikroPascal compilers on our **Libstock** website. Just download them and you are ready to start.



8. Support

MikroElektronika offers **Free Tech Support** (www.mikroe.com/esupport) until the end of product lifetime, so if something goes wrong, we are ready and willing to help!

MikroElektronika assumes no responsibility or liability for any errors or inaccuracies that may appear in the present document.

Specification and information contained in the present schematic are subject to change at any time without notice. Copyright © 2012 MikroElektronika. All rights reserved.