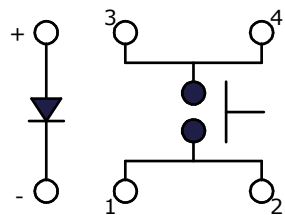
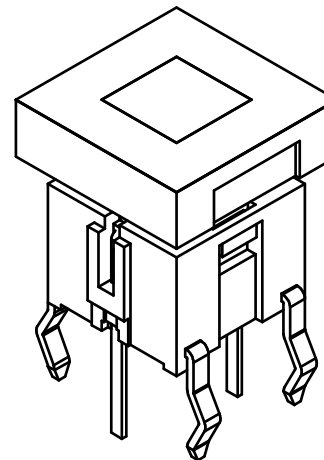
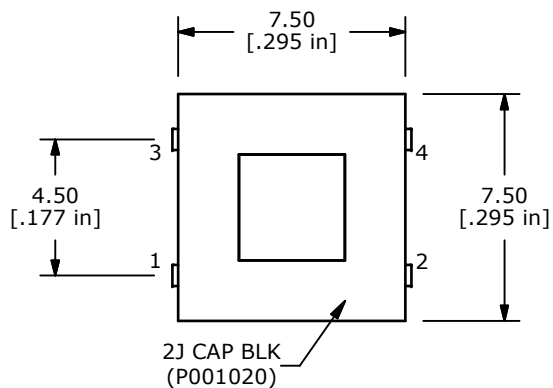
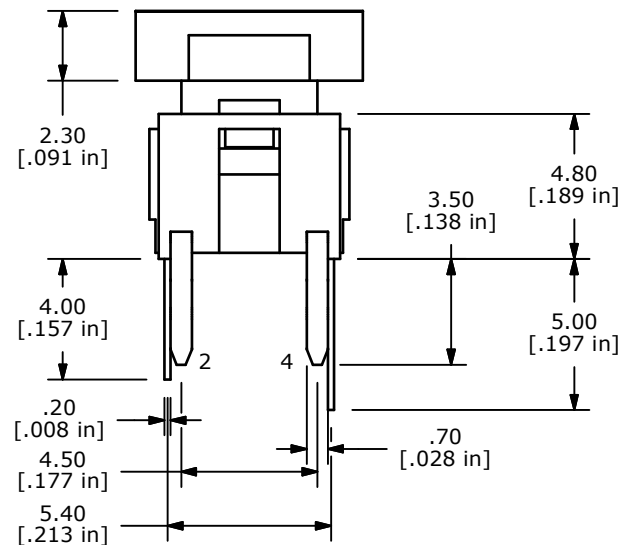
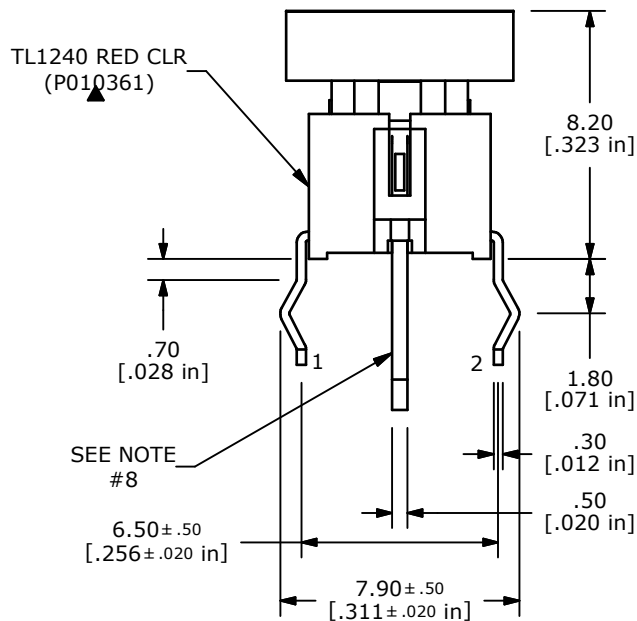


P.C.B. LAYOUT



CIRCUIT: SPST



LED SPECS	UNITS	RED
FORWARD CURRENT	mA	20
FORWARD VOLTAGE	V	1.8-2.5
LUMINOUS INTENSITY	MCD	150

- NOTES:
- ALL DIMENSIONS IN MM
 - GENERAL TOLERANCE: X.X=±0.4
X.XX=±0.25
 - RATING: 50mA @ 12VDC
 - TRAVEL: 0.25 +0.2/0.1mm
 - OPERATING FORCE: 160±50gf
 - CONTACT RESISTANCE: 100 Milli-Ohms Max
 - 2002/95/EC (ROHS) COMPLIANT
 - SHORTER LEAD (VIOLET COLOR) IS NEGATIVE (CATHODE).
 - ▲ DENOTES CRITICAL PARAMETER



TITLE TL1240RQ2JBLK				
SCALE	DATE	DR	DWG	REV
4:1	12/28/2010	BGL	XP0041A	D

D	19550	DRAWING UPDATE / CLEAN-UP	12/28/10	BGL
REV	PCR NO	DESCRIPTION	DATE	BY
<small>THE INFORMATION CONTAINED IN THIS DOCUMENT IS PROPRIETARY TO E-SWITCH AND IS NOT TO BE COPIED OR TRANSFERRED</small>				