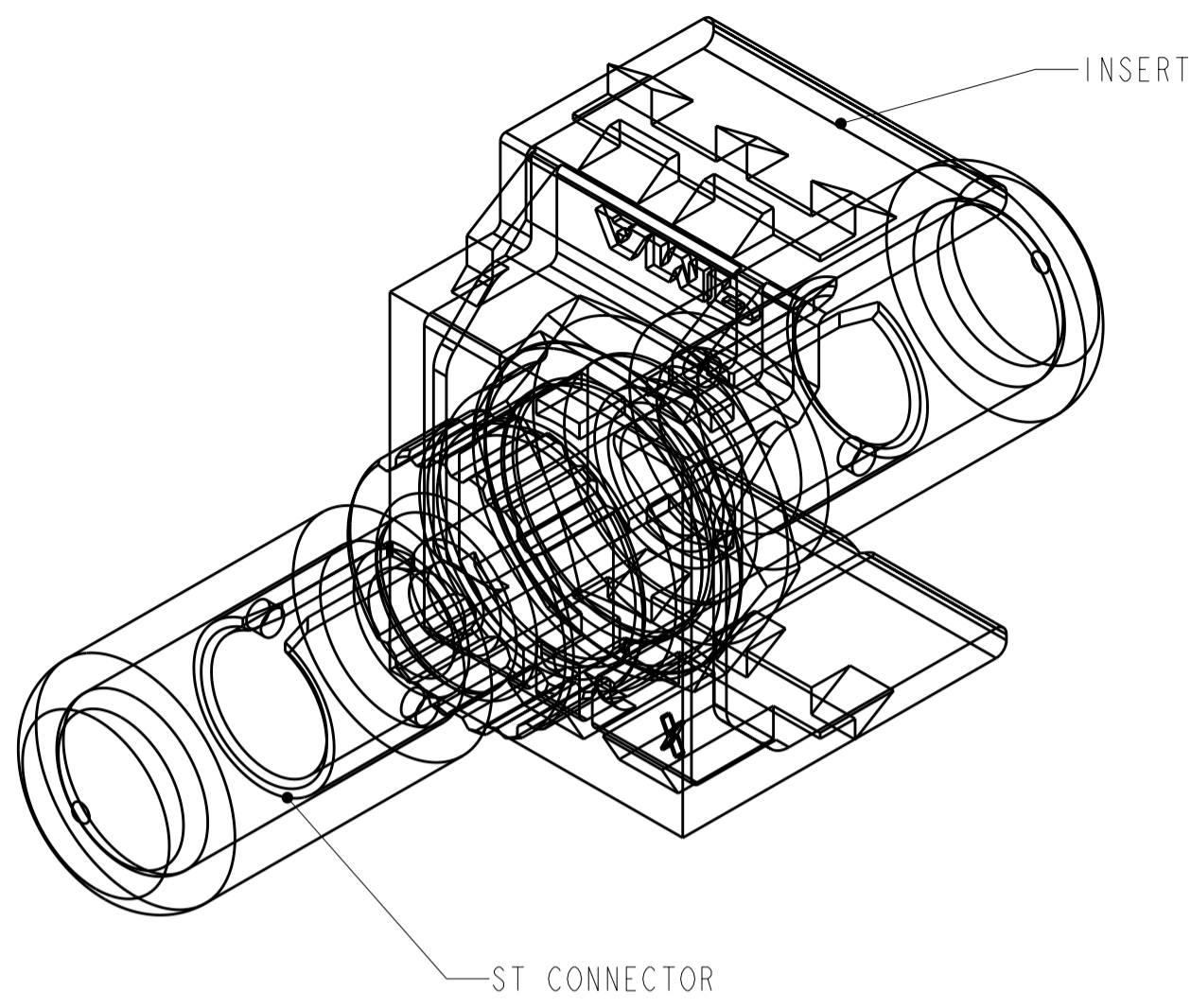
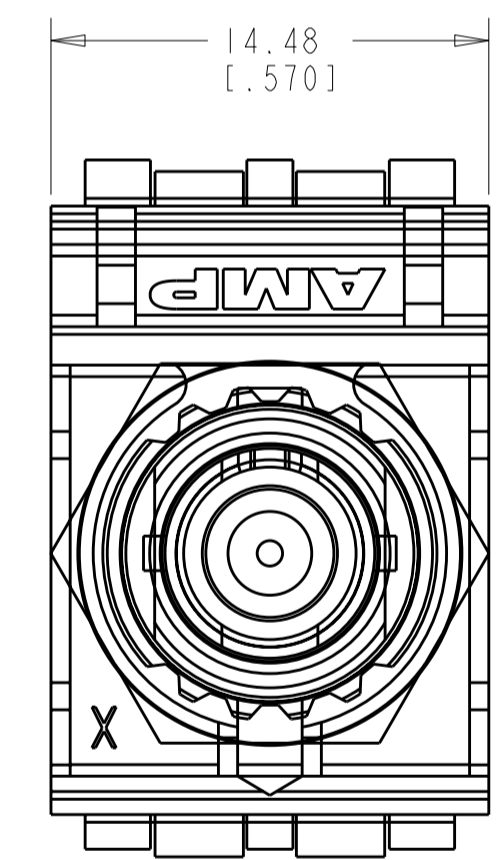
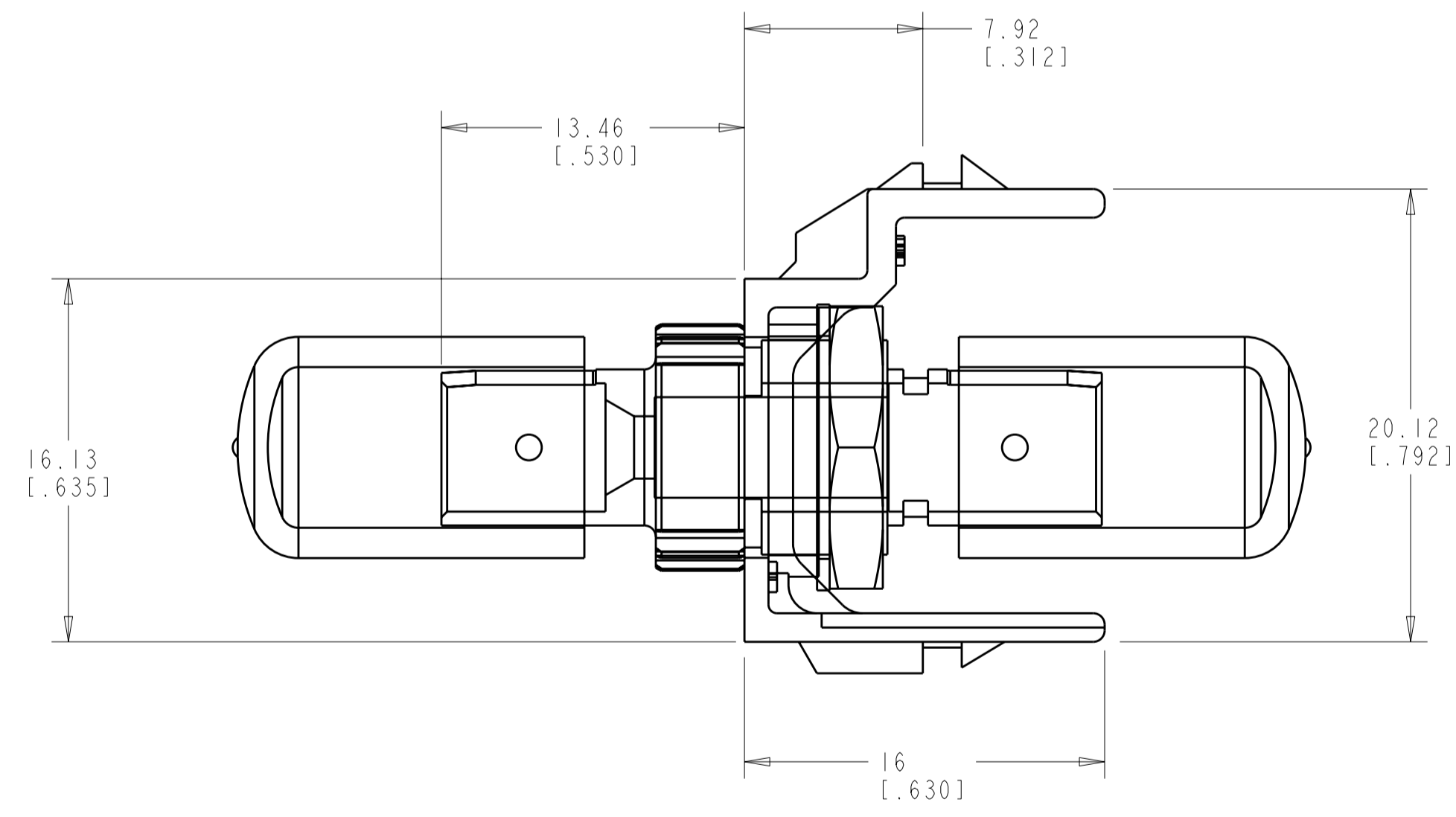


THIS DRAWING IS UNPUBLISHED. RELEASED FOR PUBLICATION
 © COPYRIGHT 20 BY - ALL RIGHTS RESERVED.

LOC	DIST	REVISIONS			
P	LTR	DESCRIPTION	DATE	DWN	APVD
		A	REV; EC 0B40-0083-01	18MAY01	LH GB
		B	ADD 1-3, REV ECO-11-017119	23AUG2011	LH RA



△ MATERIAL:
 INSERT: POLYCARBONATE MOLDING COMPOUND.
 SEE TABLE FOR COLOR.
 CONNECTOR: NICKEL PLATED ZINC.



ALPINE WHITE	1-1339123-3
ELEC IVORY	1-1339123-1
NEMA GRAY	1339123-4
WHITE	1339123-3
BLACK	1339123-2
LT ALMOND	1339123-1
COLOR	PART NO

THIS DRAWING IS A CONTROLLED DOCUMENT.		DWN T. PITTS 15SEP99	TE Connectivity	
DIMENSIONS: mm (INCHES)		CHK R. MARTIN 19NOV99		
TOLERANCES UNLESS OTHERWISE SPECIFIED:		APVD R. MARTIN 09DEC99	NAME KIT, ST CONNECTOR, INSERT - SL SERIES	
0 PLC ± 1 PLC ± 2 PLC ±.13 [.005] 3 PLC ± 4 PLC ± ANGLES ± FINISH		PRODUCT SPEC -	SIZE A2	CAGE CODE 00779
MATERIAL △		APPLICATION SPEC -	DRAWING NO C-1339123	RESTRICTED TO -
CUSTOMER DRAWING			SCALE 4:	SHEET OF REV B