

- NOTE:
- MATERIAL:
HSG & CAP - NYLON, GLASS FILLED
UL 94V-0, COLOUR BLACK
PIN - 0.50 SQ PHOSPHOR BRONZE
 - PLATING:
0.38um MIN GOLD PLATE AT CONTACT AREA,
TIN PLATE AT SOLDER AREA,
BOTH OVER NICKEL UNDERPLATE
 - PIN PUSHOUT FORCE: 1KG MIN IN EITHER DIRECTION
 - PRODUCT SPEC PS-87761-100 APPLIES.
 - BEND DEPRESSION IS ACCEPTABLE SO LONG AS IT DOES NOT AFFECT THE OVERALL COPLANARITY OF TAIL.
 - COPLANARITY IS TO BE MEASURED BY RESTING THE SOLDER TAIL ON A GAUGE SURFACE.
 - CAP TO BE LOCATED AS CENTRAL OF PART AS POSSIBLE
TOP SURFACE OF CAP TO BE FLAT FOR THE PURPOSE OF PICK & PLACE BY VACUUM SUCTION NOZZLE.
 - FOR ILLUSTRATION PURPOSES, 12CKT IS SHOWN.
 - CKT 4 & 6 IS CUT FROM CKT 8 & 12 RESPECTIVELY
ROUGH EDGES ARE EXPECTED ALONG THE CUTTING EDGES.
 - PART TO BE PACKED IN TRAY 10 (8999-1543) ONLY.
 - TUBE LENGTH IS 560MM REF STANDARD.

EC NO: S2005-0652 2005/07/27 DRWN:KCHO 2005/07/28 CHKD:BOKOK 2005/07/28 APPR:PTLIM 2005/07/28	QUALITY SYMBOLS ▽=0 ▽C=0	GENERAL TOLERANCES (UNLESS SPECIFIED)		DIMENSION STYLE MM ONLY		SCALE NTS	DESIGN UNITS METRIC	THIRD ANGLE PROJECTION		
			mm	INCH	DRAWN BY KSEE	DATE 2003/12/12	TITLE SALES DRAWING MGRID, 2MM DUAL ROW HDR. SMT			
		4 PLACES	± ---	± ---	CHECKED BY	DATE				
		3 PLACES	± ---	± ---	KCLING	2004/01/12	MOLEX INCORPORATED			
2 PLACES	± 0.2	± ---	APPROVED BY	DATE						
1 PLACE	± ---	± ---	SKTOH	2004/01/12	MATERIAL NO.		DOCUMENT NO.	SHEET NO.		
DRAFT WHERE APPLICABLE MUST REMAIN WITHIN DIMENSIONS		SEE TABLE		SD-87759-117		1 OF 7				
SIZE A3		THIS DRAWING CONTAINS INFORMATION THAT IS PROPRIETARY TO MOLEX INCORPORATED AND SHOULD NOT BE USED WITHOUT WRITTEN PERMISSION								

10 9 8 7 6 5 4 3 2 1

F

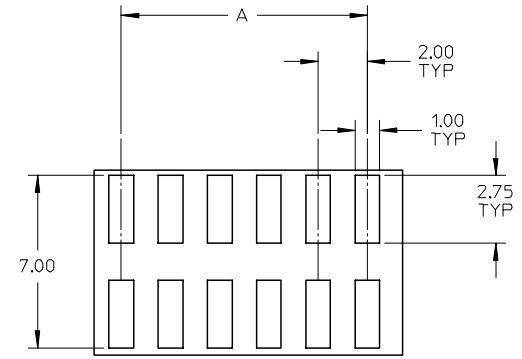
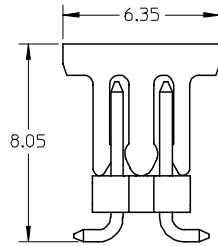
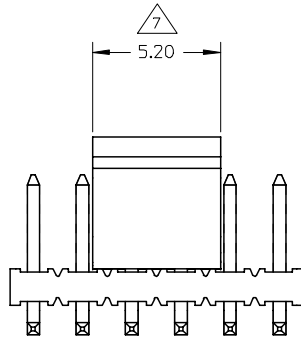
E

D

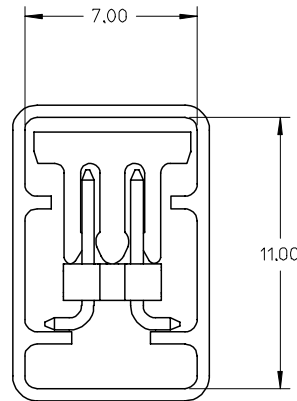
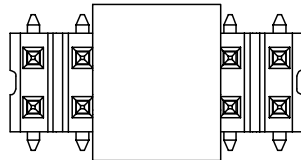
C

B

A



RECOMMENDED SOLDER PAD LAYOUT



EC NO: S2005-0652 DRWN:KCHO 2005/07/27 CHKD:BOKOK 2005/07/28 APPR:PTLIM 2005/07/28	QUALITY SYMBOLS ▽=0 ▽=0	GENERAL TOLERANCES (UNLESS SPECIFIED)		DIMENSION STYLE MM ONLY		SCALE NTS	DESIGN UNITS METRIC	THIRD ANGLE PROJECTION	
		4 PLACES ± --- ± --- 3 PLACES ± --- ± --- 2 PLACES ± 0.2 ± --- 1 PLACE ± --- ± --- ANGULAR ± 3°	mm INCH	DRAWN BY KSEE CHECKED BY KCLING APPROVED BY SKTOH	DATE 2003/12/12 DATE 2004/01/12 DATE 2004/01/12	TITLE SALES DRAWING MGRID, 2MM DUAL ROW HDR. SMT		MOLEX INCORPORATED	
A2	REV	DRAFT WHERE APPLICABLE MUST REMAIN WITHIN DIMENSIONS		SEE TABLE		MATERIAL NO.	DOCUMENT NO. SD-87759-117	SHEET NO. 2 OF 7	

9 8 7 6 5 4 3 2 1

10 9 8 7 6 5 4 3 2 1

F

E

D

C

B

A

F

E

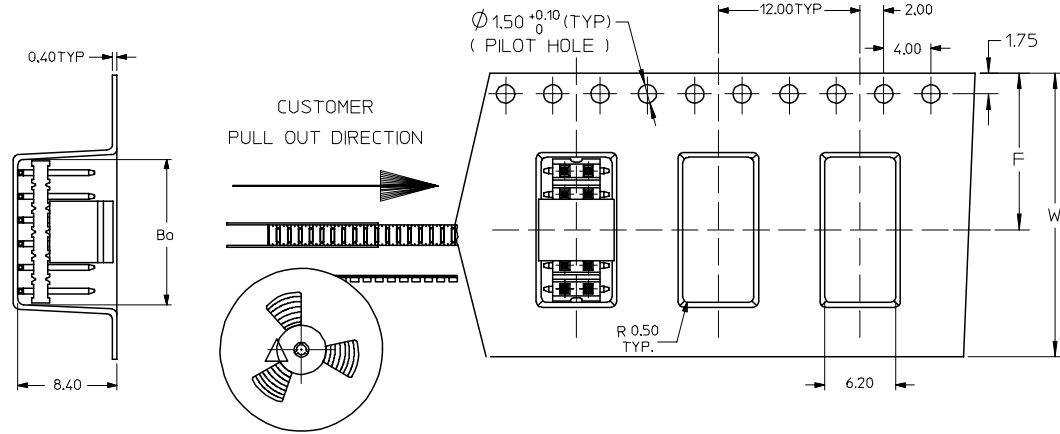
D

C

B

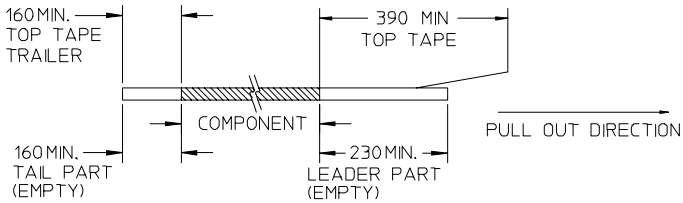
A

EMBOSSED CARRIER TAPE TYPE "A"

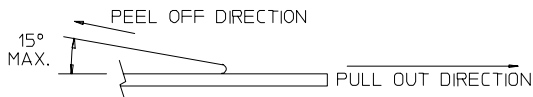


NOTES:

1. LEADER AND TRAILER TAPE



2. PEELING OFF FORCE OF THE TOP TAPE: 20-80gf.
(PEELING DIRECTION AS SHOWN IN FOLLOWING FIGURE)



3. PACKAGING STANDARD IS AS PER EIA-481.

EC NO: S2005-0652	2005/07/27	2005/07/28	2005/07/28
DRWN:KCHO	CHKD:BOKOK	APPR:PTLIM	
A2	REV	DESCRIPTION	

QUALITY SYMBOLS	$\nabla=0$ $\triangle=0$
-----------------	-----------------------------

GENERAL TOLERANCES (UNLESS SPECIFIED)	mm	INCH
	4 PLACES ± ---	± ---
	3 PLACES ± ---	± ---
	2 PLACES ± 0.2	± ---
	1 PLACE ± ---	± ---
	ANGULAR ± 3 °	
DRAFT WHERE APPLICABLE MUST REMAIN WITHIN DIMENSIONS		

DIMENSION STYLE		SCALE	DESIGN UNITS	THIRD ANGLE PROJECTION
MM ONLY		NTS	METRIC	
DRAWN BY	DATE	TITLE		
KSEE	2003/12/12	SALES DRAWING		
CHECKED BY	DATE	MGRID, 2MM DUAL ROW HDR. SMT		
KCLING	2004/01/12	MOLEX INCORPORATED		
APPROVED BY	DATE	MATERIAL NO.		
SKTOH	2004/01/12	DOCUMENT NO.		
SEE TABLE		SD-87759-117		SHEET NO.
SIZE A3		THIS DRAWING CONTAINS INFORMATION THAT IS PROPRIETARY TO MOLEX INCORPORATED AND SHOULD NOT BE USED WITHOUT WRITTEN PERMISSION		3 OF 7

SALES DRAWING		MGRID, 2MM DUAL ROW HDR. SMT		MOLEX INCORPORATED	
MATERIAL NO.		DOCUMENT NO.		SHEET NO.	
SEE TABLE		SD-87759-117		3 OF 7	
THIS DRAWING CONTAINS INFORMATION THAT IS PROPRIETARY TO MOLEX INCORPORATED AND SHOULD NOT BE USED WITHOUT WRITTEN PERMISSION					

9 8 7 6 5 4 3 2 1

10 9 8 7 6 5 4 3 2 1

F

E

D

C

B

A

F

E

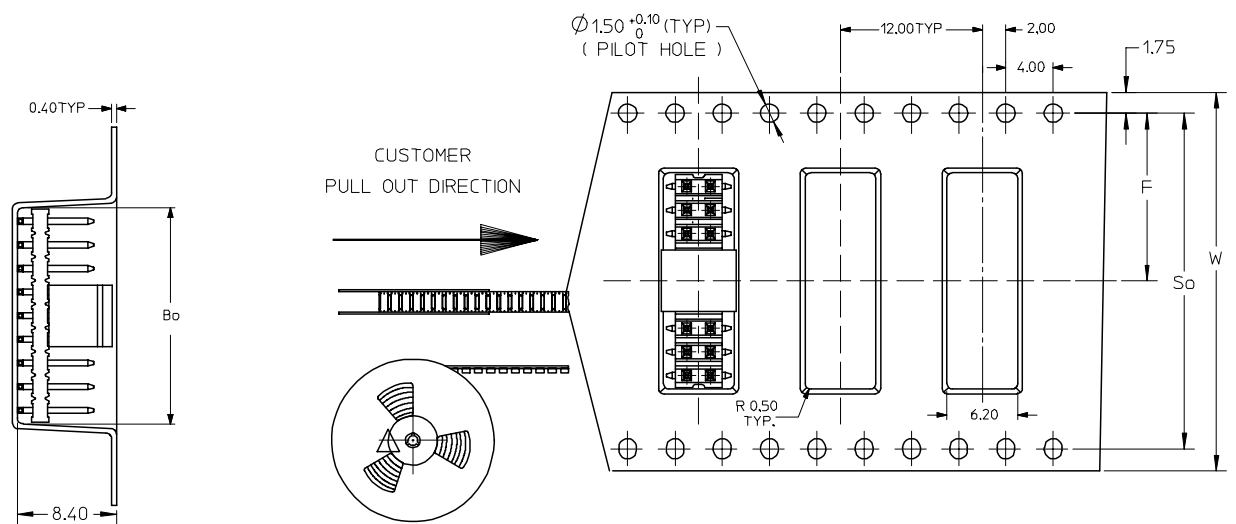
D

C

B

A

EMBOSSED CARRIER TAPE TYPE 'B'



NOTES:

- LEADER AND TRAILER TAPE
- PEELING OFF FORCE OF THE TOP TAPE: 20-80gf.
 (PEELING DIRECTION AS SHOWN IN FOLLOWING FIGURE)
- PACKAGING STANDARD IS AS PER EIA-481.

EC NO: S2005-0652 2005/07/27	DRWN:KCHO 2005/07/28	CHKD:BOKOK 2005/07/28	APPR:PTLIM 2005/07/28	DESCRIPTION	QUALITY SYMBOLS	GENERAL TOLERANCES (UNLESS SPECIFIED)		DIMENSION STYLE	SCALE	DESIGN UNITS	THIRD ANGLE PROJECTION
					$\nabla=0$ $\nabla C=0$	mm	INCH	MM ONLY	NTS	METRIC	
REV					4 PLACES ± --- ± ---		DRAWN BY	DATE	SALES DRAWING MGRID, 2MM DUAL ROW HDR. SMT MOLEX INCORPORATED		
					3 PLACES ± --- ± ---		KSEE	2003/12/12			
A2					2 PLACES ± 0.2 ± ---		CHECKED BY	DATE	DOCUMENT NO. SD-87759-117 SHEET NO. 4 OF 7		
					1 PLACE ± --- ± ---		KCLING	2004/01/12			
A2					ANGULAR ± 3 °		APPROVED BY	DATE	THIS DRAWING CONTAINS INFORMATION THAT IS PROPRIETARY TO MOLEX INCORPORATED AND SHOULD NOT BE USED WITHOUT WRITTEN PERMISSION		
					DRAFT WHERE APPLICABLE MUST REMAIN WITHIN DIMENSIONS		SKTOH	2004/01/12			
A2					SEE TABLE		MATERIAL NO.	DATE			
					SIZE A3						

9 8 7 6 5 4 3 2 1

10 9 8 7 6 5 4 3 2 1

F

E

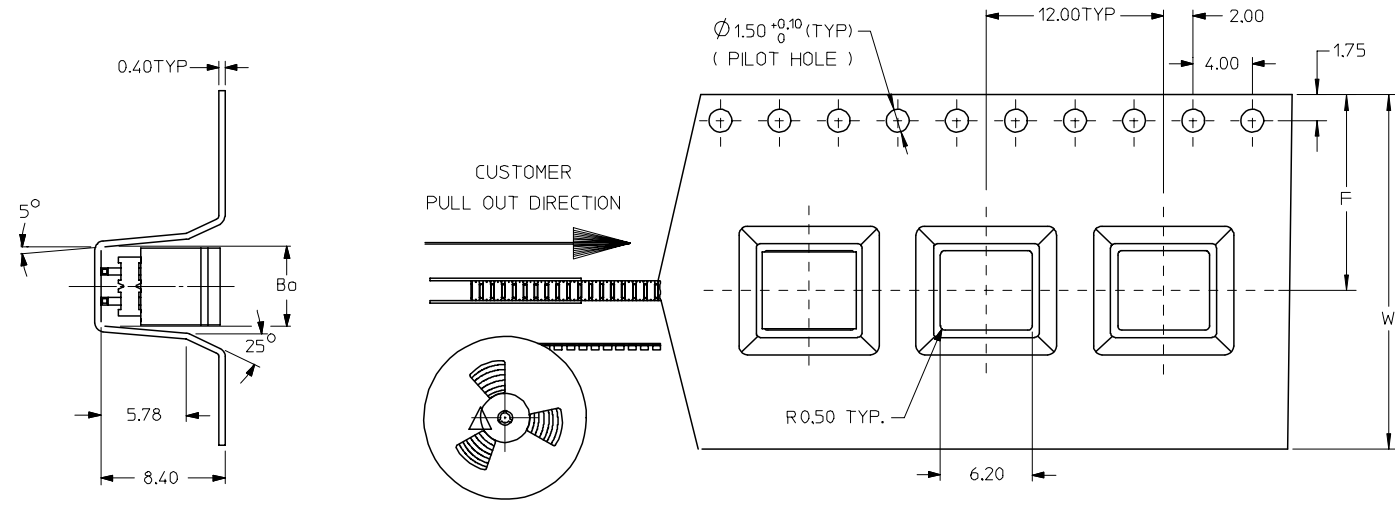
D

C

B

A

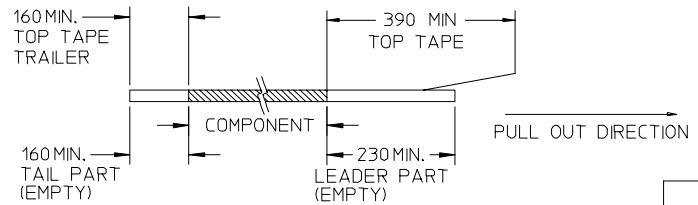
EMBOSSED CARRIER TAPE TYPE "C"



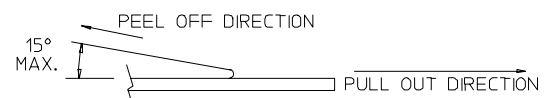
THIS TYPE OF CARRIER IS FOR CKT SIZE 8 AND BELOW.

NOTES:

1. LEADER AND TRAILER TAPE



2. PEELING OFF FORCE OF THE TOP TAPE: 20-80gf.
(PEELING DIRECTION AS SHOWN IN FOLLOWING FIGURE)



3. PACKAGING STANDARD IS AS PER EIA-481.

EC NO: S2005-0652	2005/07/27	2005/07/28	2005/07/28
DRWN:KCHO	CHKD:BOKOK	APPR:PTLIM	
A2	REV	DESCRIPTION	

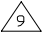
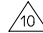
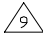
QUALITY SYMBOLS	▽=0
	▽C=0

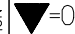
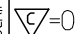
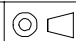
GENERAL TOLERANCES (UNLESS SPECIFIED)	mm	INCH
	4 PLACES ± ---	± ---
	3 PLACES ± ---	± ---
	2 PLACES ± 0.2	± ---
	1 PLACE ± ---	± ---
	ANGULAR ± 3 °	
DRAFT WHERE APPLICABLE MUST REMAIN WITHIN DIMENSIONS		

DIMENSION STYLE		SCALE	DESIGN UNITS	THIRD ANGLE PROJECTION
MM ONLY		NTS	METRIC	
DRAWN BY	DATE	TITLE		
KSEE	2003/12/12	SALES DRAWING		
CHECKED BY	DATE	MGRID, 2MM DUAL ROW HDR. SMT		
KCLING	2004/01/12	MOLEX INCORPORATED		
APPROVED BY	DATE	MATERIAL NO.		
SKTOH	2004/01/12	DOCUMENT NO.		
		SD-87759-117		
SIZE	SEE TABLE	SHEET NO.		
A3		5 OF 7		

SALES DRAWING	
MGRID, 2MM DUAL ROW HDR. SMT	
MOLEX INCORPORATED	
DOCUMENT NO.	SHEET NO.
SD-87759-117	5 OF 7
THIS DRAWING CONTAINS INFORMATION THAT IS PROPRIETARY TO MOLEX INCORPORATED AND SHOULD NOT BE USED WITHOUT WRITTEN PERMISSION	

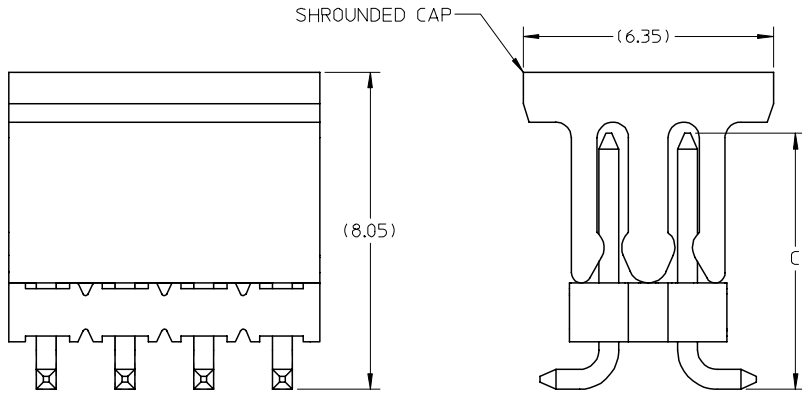
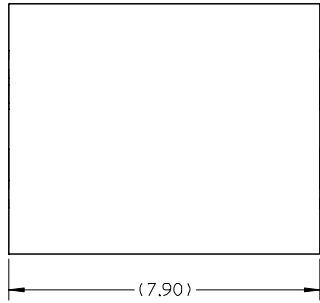
9 8 7 6 5 4 3 2 1

	10	9	8	7	6	5	4	3	2	1	
F	PART NUMBER WITHOUT CAP IN TUBE	PART NUMBER WITH CAP IN TUBE	PART NUMBER WITH CAP IN TAPE AND REEL.	CKT SIZE	A	B	B ₀	F	So	W	EMBOSSSED TYPE
	87759-0414  	87759-0464	87759-0474	4	NA	2.00	5.40	11.50	-	24.00	C
	87759-0614 	87759-0664	87559-0674	6	NA	4.00	7.20	11.50	-	24.00	C
	87759-0814	87759-0864	87759-0874	8	7.90	6.00	8.20	11.50	-	24.00	C
	87759-1014	87759-1064	87759-1074	10	9.90	8.00	10.20	11.50	-	24.00	A
	87759-1214	87759-1264	87759-1274	12	11.90	10.00	12.20	11.50	-	24.00	A
E	87759-1414	87759-1464	87759-1474	14	13.90	12.00	14.20	11.50	-	24.00	A
	87759-1614	87759-1664	87759-1674	16	15.90	14.00	16.20	14.20	28.40	32.00	B
	87759-1814	87759-1864	87759-1874	18	17.90	16.00	18.20	14.20	28.40	32.00	B
	87759-2014	87759-2064	87759-2074	20	19.90	18.00	20.20	14.20	28.40	32.00	B
	87759-2214	87759-2264	87759-2274	22	21.90	20.00	22.20	20.20	40.40	44.00	B
	87759-2414	87759-2464	87759-2474	24	23.90	22.00	24.20	20.20	40.40	44.00	B
D	87759-2614	87759-2664	87759-2674	26	25.90	24.00	26.20	20.20	40.40	44.00	B
	87759-2814	87759-2864	87759-2874	28	27.90	26.00	28.20	20.20	40.40	44.00	B
	87759-3014	87759-3064	87759-3074	30	29.90	28.00	30.20	20.20	40.40	44.00	B
	87759-3214	87759-3264	87759-3274	32	31.90	30.00	32.20	20.20	40.40	44.00	B
	87759-3414	87759-3464	87759-3474	34	33.90	32.00	34.20	26.20	52.40	56.00	B
	87759-3614	87759-3664	87759-3674	36	35.90	34.00	36.20	26.20	52.40	56.00	B
	87759-3814	87759-3864	87759-3874	38	37.90	36.00	38.20	26.20	52.40	56.00	B
C	87759-4014	87759-4064	87759-4074	40	39.90	38.00	40.20	26.20	52.40	56.00	B
	87759-4214	87759-4264	87759-4274	42	41.90	40.00	42.20	26.20	52.40	56.00	B
	87759-4414	87759-4464	87759-4474	44	43.90	42.00	44.20	26.20	52.40	56.00	B
	87759-4614	87759-4664	87759-4674	46	45.90	44.00	46.20	26.20	52.40	56.00	B
	87759-4814	87759-4864	87759-4874	48	47.90	46.00	48.20	26.20	52.40	56.00	B
B	87759-5014	87759-5064	87759-5074	50	49.90	48.00	50.20	34.20	68.40	72.00	B

EC NO: S2005-0652 2005/07/27 DRWN:KCHO 2005/07/28 CHKD:BOKOK 2005/07/28 APPR:PTLIM 2005/07/28	QUALITY SYMBOLS  = 0  = 0	GENERAL TOLERANCES (UNLESS SPECIFIED)		DIMENSION STYLE MM ONLY		SCALE NTS	DESIGN UNITS METRIC	 THIRD ANGLE PROJECTION	
				DRAWN BY DATE KSEE 2003/12/12		TITLE SALES DRAWING MGRID, 2MM DUAL ROW HDR. SMT			
				CHECKED BY DATE KCLING 2004/01/12		MOLEX INCORPORATED			
				APPROVED BY DATE SKTOH 2004/01/12		MATERIAL NO.		DOCUMENT NO. SD-87759-117	
A2		DRAFT WHERE APPLICABLE MUST REMAIN WITHIN DIMENSIONS		SEE TABLE		THIS DRAWING CONTAINS INFORMATION THAT IS PROPRIETARY TO MOLEX INCORPORATED AND SHOULD NOT BE USED WITHOUT WRITTEN PERMISSION			

	10	9	8	7	6	5	4	3	2	1	
F	PART NUMBER WITH CAP IN TUBE	PART NUMBER WITH CAP IN TAPE AND REEL.	CKT SIZE	A	B	C REF	Bo	F	So	W	EMBOSSED TYPE
	87759-0893	87759-0894	8	7.90	6.00	6.50	8.20	11.50	-	24.00	C

SHROUNDED SMT CAP



EC NO: S2005-0652	2005/07/27	2005/07/28
DRWN:KCHO	2005/07/28	2005/07/28
CHKD:BOKOK		
APPR:PTLIM		
REV	DESCRIPTION	
A2		

QUALITY SYMBOLS	▽=0
	∇=0

GENERAL TOLERANCES (UNLESS SPECIFIED)	
	mm INCH
4 PLACES	± --- ± ---
3 PLACES	± --- ± ---
2 PLACES	± 0.2 ± ---
1 PLACE	± --- ± ---
ANGULAR ± 3 °	
DRAFT WHERE APPLICABLE MUST REMAIN WITHIN DIMENSIONS	

DIMENSION STYLE		SCALE	DESIGN UNITS	THIRD ANGLE PROJECTION
MM ONLY		NTS	METRIC	
DRAWN BY	DATE	TITLE		
KSEE	2003/12/12	SALES DRAWING		
CHECKED BY	DATE	MGRID, 2MM DUAL ROW HDR.		
KCLING	2004/01/12	SMT		
APPROVED BY	DATE	MOLEX INCORPORATED		
SKTOH	2004/01/12			
MATERIAL NO.	DOCUMENT NO.	SHEET NO.		
	SD-87759-117	7 OF 7		
SIZE	THIS DRAWING CONTAINS INFORMATION THAT IS PROPRIETARY TO MOLEX INCORPORATED AND SHOULD NOT BE USED WITHOUT WRITTEN PERMISSION			
A3				