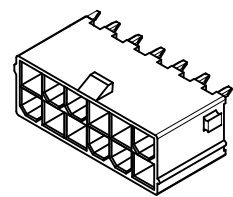
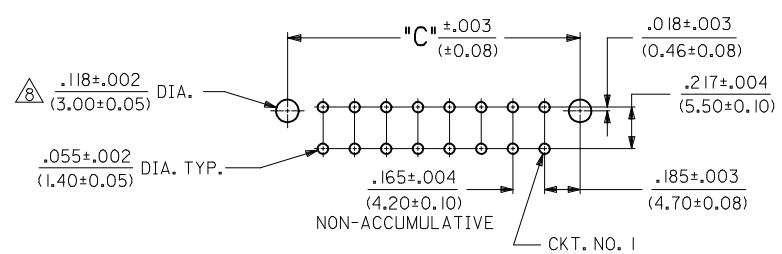
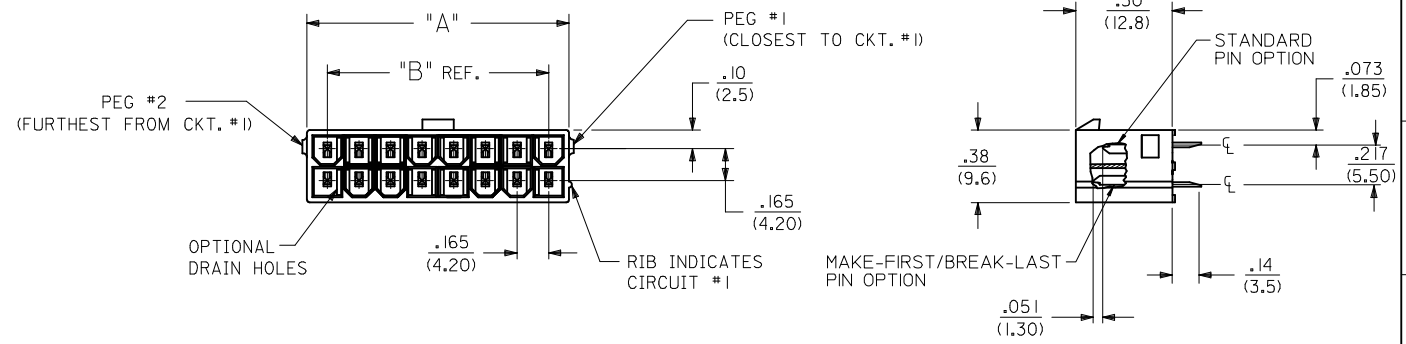


CIRCUIT SIZE	DIM. "A"	DIM. "B"	DIM. "C"
2	.21 (5.4)	—	.370 (9.40)
4	.38 (9.6)	.17 (4.2)	.535 (13.60)
6	.54 (13.8)	.33 (8.4)	.701 (17.80)
8	.71 (18.0)	.50 (12.6)	.866 (22.00)
10	.87 (22.2)	.66 (16.8)	1.031 (26.20)
12	1.04 (26.4)	.83 (21.0)	1.197 (30.40)
14	1.20 (30.6)	.99 (25.2)	1.362 (34.60)
16	1.37 (34.8)	1.16 (29.4)	1.528 (38.80)
18	1.54 (39.0)	1.32 (33.6)	1.693 (43.00)
20	1.70 (43.2)	1.49 (37.8)	1.858 (47.20)
22	1.87 (47.4)	1.65 (42.0)	2.024 (51.40)
24	2.03 (51.6)	1.82 (46.2)	2.189 (55.60)



12 CKT SHOWN

- NOTES:
- MATERIALS:
HOUSING MATERIAL AND OPTIONS: SEE CHART
TERMINALS: BRASS
 - TERMINAL PLATING:
A = .000035/(0.00089) MIN. REFLOWED MATTE TIN OVER
.000020/(0.00051) MIN. COPPER OVERALL (PREPLATE)
(FINISH IS BRIGHT IN APPEARANCE, THICKNESS AS
APPLIED PRIOR TO REFLOW)
B = .000030/(0.00076) MIN. SELECT GOLD AND
.000100/(0.00254) MIN. MATTE TIN OVER
.000050/(0.00127) MIN. NICKEL OVERALL
C = .000100/(0.00254) MIN. BRIGHT TIN OVER
.000050/(0.00127) MIN. NICKEL OVERALL
D = .000100/(0.00254) MIN. MATTE TIN OVER
.000050/(0.00127) MIN. NICKEL OVERALL
 - PRODUCT SPECIFICATION: PS-5556-001
 - PACKAGING: SEE CHART.
 - PART MATES WITH MINI-FIT JR. RECEPTACLE #5557.
 - PARTS ARE NOT DESIGNED FOR CURRENT SHARING.
CONNECTOR ASSEMBLIES ARE NOT DESIGNED TO BE MATED
OR UNMATED WHILE CIRCUITS ARE LIVE.
 - LOCATION OF .118±.002/(3.00±0.05) DIAMETER HOLES ON
P.C. BOARD IS FOR OPTIONAL PEGS.
 - PART CONFORMS TO CLASS "B" REQUIREMENTS OF COSMETIC
SPECIFICATION PS-45499-002 EXCEPT IN AREA OF PEG CUT-OFF.
 - 5 CIRCUIT PARTS HAVE PEG DESIGN B. ALL OTHER CIRCUIT SIZES HAVE
PEG DESIGN A.

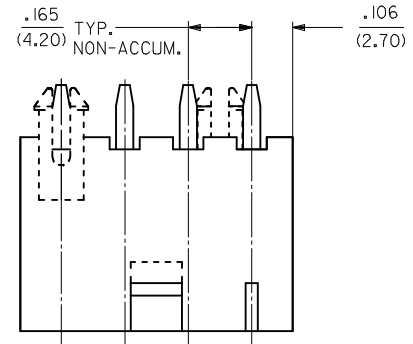
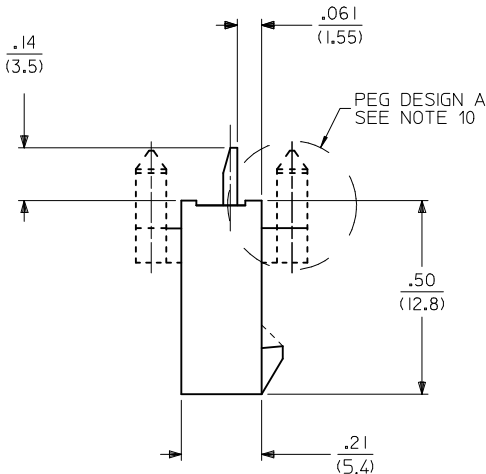
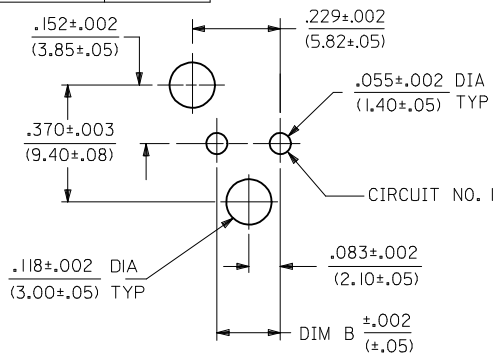
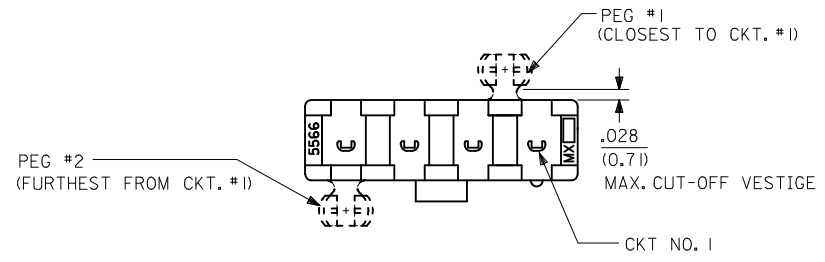
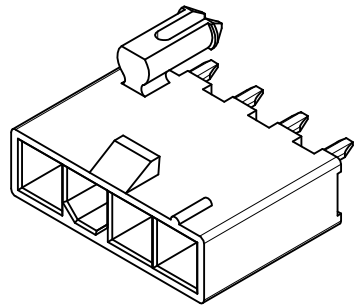


RECOMMENDED HOLE LAYOUT FOR .070/(1.78) MAX. THICK P.C. BOARD
VIEWED FROM COMPONENT SIDE
(SEE NOTE 8)

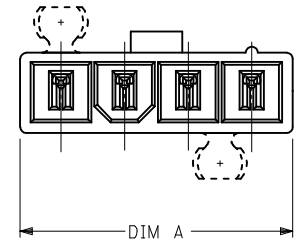
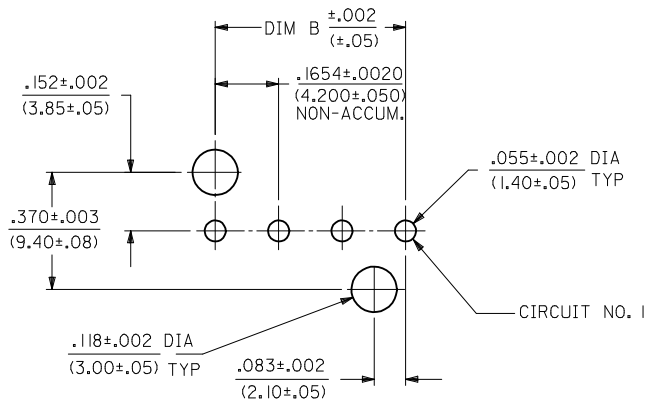
SEE SHEET 2 FOR SINGLE ROW PRODUCT

ADD 2 CKT EC NO: UCP2017-1480 DRWING: SLAFER CHKD: JBELL APPR: FSMITH	DESCRIPTION 2016/08/18 2016/08/18 2017/02/01	QUALITY SYMBOLS	GENERAL TOLERANCES (UNLESS SPECIFIED)		DIMENSION STYLE	SCALE	DESIGN UNITS	THIRD ANGLE PROJECTION
		▽=0	mm	INCH	IN/MM	2:1	METRIC	☉
REV D19	REV	▽=0	4 PLACES ±	±	DRAWN BY	DATE	TITLE 2-24 CKT VERT HDR ASSY W/PEGS REMOVED OPTION W/WO DRAIN HOLE MINI-FIT	
		▽=0	3 PLACES ±	±.015	AFG	1995/07/19		
		▽=0	2 PLACES ±	±.020	CHECKED BY	DATE	DOCUMENT NO. SDA-43588-****	
		▽=0	1 PLACE ±	±.050	RJF	1995/07/19		
			0 PLACE ±	±	APPROVED BY	DATE	SHEET NO. 1 OF 4	
					FSMITH	2010/03/08		
ANGULAR ±1/2°			DRAFT WHERE APPLICABLE MUST REMAIN WITHIN DIMENSIONS		SEE SHEET 3			
THIS DRAWING CONTAINS INFORMATION THAT IS PROPRIETARY TO MOLEX INCORPORATED AND SHOULD NOT BE USED WITHOUT WRITTEN PERMISSION								

CKT SIZE	DIM A	DIM B
2	.378 (9.60)	.165 (4.20)
4	.709 (18.00)	.496 (12.60)
5	.874 (22.20)	.661 (16.80)
6	1.039 (26.40)	.827 (21.00)
7	1.205 (30.60)	.992 (25.20)
8	1.370 (34.80)	1.157 (29.40)
9	1.535 (39.00)	1.323 (33.60)
10	1.701 (43.20)	1.488 (37.80)
11	1.866 (47.40)	1.654 (42.00)
12	2.031 (51.60)	1.819 (46.20)



RECOMMENDED HOLE LAYOUT FOR
.070/(1.78) MAX. THICK P. C. BOARD
VIEWED FROM COMPONENT SIDE
FOR 2 CIRCUIT SINGLE ROW HEADER
(SEE NOTE 8)



RECOMMENDED HOLE LAYOUT FOR
.070/(1.78) MAX. THICK P. C. BOARD
VIEWED FROM COMPONENT SIDE
FOR 4 TO 6 CIRCUIT SINGLE ROW HEADER
(SEE NOTE 8)

SEE SHEET 1 FOR DUAL ROW PRODUCT

SEE SHEET 1 EC NO: UCP2017-1480 DRAWN:CLAFTER 2016/08/18 CHKD:JBELL 2016/08/18 APPR:FSMITH 2017/02/01	QUALITY SYMBOLS	GENERAL TOLERANCES (UNLESS SPECIFIED)	DIMENSION STYLE	SCALE	DESIGN UNITS	THIRD ANGLE PROJECTION
	▽=0	mm	IN/MM	2:1	METRIC	
	▽=0	INCH				
	▽=0					

4 PLACES ± --- ± ---	DRAWN BY	DATE	TITLE
3 PLACES ± --- ± .015	AFG	1995/07/19	2-24 CKT VERT HDR ASSY W/PEGS REMOVED OPTION W/NO DRAIN HOLE MINI-FIT
2 PLACES ± 0.38 ± .020	RJF	1995/07/19	
1 PLACE ± 0.50 ± ---	APPROVED BY	DATE	
0 PLACE ± ±	FSMITH	2010/03/08	
ANGULAR ±1/2°		MATERIAL NO.	DOCUMENT NO.
DRAFT WHERE APPLICABLE MUST REMAIN WITHIN DIMENSIONS		SEE SHEET 3	SDA-43588-****
		SIZE	SHEET NO.
		C	2 OF 4

THIS DRAWING CONTAINS INFORMATION THAT IS PROPRIETARY TO MOLEX INCORPORATED AND SHOULD NOT BE USED WITHOUT WRITTEN PERMISSION	
---	--

	13	12	11	10	9	8	7	6	5	4	3	2	1																					
ITEM NO.	CKTS	MATERIAL	HOUSING TYPE	DRAIN HOLES	PEG 1	PEG 2	PLATING PER NOTE 2	TERMINAL VERSION REQUIRED AT EACH CIRCUIT LOCATION: V = VOID																								PACKAGING		
								1	2	3	4	5	6	7	8	9	10	11	12	13	14	15	16	17	18	19	20	21	22	23	24			
J	43588-2001	20	94V-2	DUAL ROW	YES	WITH	REMOVED	A	1	1	1	1	1	1	1	1	1	1	1	1	1	1	1	1	1	1	1	1	-	-	-	-	PK-44206-001	J
	43588-2007	20	94V-2	DUAL ROW	NO	REMOVED	WITH	A	1	1	1	1	1	1	1	1	1	1	1	1	1	1	1	1	1	1	1	1	-	-	-	-	PK-5566-003	
I	43588-0010	04	94V-2	DUAL ROW	YES	WITH	REMOVED	A	1	1	1	1	-	-	-	-	-	-	-	-	-	-	-	-	-	-	-	-	-	-	-	PK-44206-001		
	43588-0012	05	94V-0	SINGLE ROW	NO	WITH	WITH	C	4	V	V	V	4	-	-	-	-	-	-	-	-	-	-	-	-	-	-	-	-	-	-	PK-5566-002	I	
	43588-0017	04	94V-0	SINGLE ROW	NO	REMOVED	WITH	C	4	V	V	4	-	-	-	-	-	-	-	-	-	-	-	-	-	-	-	-	-	-	-	PK-5566-002		
43588-0018	04	94V-0	SINGLE ROW	NO	WITH	WITH	C	4	5	5	4	-	-	-	-	-	-	-	-	-	-	-	-	-	-	-	-	-	-	-				
H	43588-0020	06	94V-2	DUAL ROW	NO	NONE	NONE	C	4	V	4	4	V	4	-	-	-	-	-	-	-	-	-	-	-	-	-	-	-	-	PK-5566-003			
	43588-0021	14	94V-0	DUAL ROW	NO	NONE	NONE	B	3	3	3	3	3	3	3	3	3	3	3	V	3	3	-	-	-	-	-	-	-	-			H	
G	43588-0022	24	94V-0	DUAL ROW	NO	WITH	REMOVED	D	6	6	6	6	6	6	6	6	6	6	6	6	6	6	6	6	6	6	6	6	6	6	6	PK-5566-001		
	43588-0023	05	94V-0	SINGLE ROW	NO	REMOVED	REMOVED	D	6	6	6	6	6	-	-	-	-	-	-	-	-	-	-	-	-	-	-	-	-	-	-	PK-43588-001	G	
	43588-0024	06	94V-0	DUAL ROW	NO	NONE	NONE	C	4	V	4	4	V	4	-	-	-	-	-	-	-	-	-	-	-	-	-	-	-	-	-	PK-5566-001		



TERMINAL CODES		
TERMINAL TYPE	PLATING SEE NOTE 2	MATERIAL
1 - STANDARD	A	BRASS
3 - STANDARD	B	BRASS
4 - STANDARD	C	BRASS
5 = MF/BL	C	BRASS
6 = STANDARD	D	BRASS
7 = MF/BL	D	BRASS

SEE SHEET 1 EC NO: UCP2017-1480 DRWING: LAFTER 2016/08/18 CHKD: JBELL 2016/08/18 APPR: FSMITH 2017/02/01 D19	QUALITY SYMBOLS 	GENERAL TOLERANCES (UNLESS SPECIFIED) <table border="1"> <tr> <td></td> <td>mm</td> <td>INCH</td> </tr> <tr> <td>4 PLACES</td> <td>± .---</td> <td>± .---</td> </tr> <tr> <td>3 PLACES</td> <td>± .---</td> <td>± .015</td> </tr> <tr> <td>2 PLACES</td> <td>± 0.38</td> <td>± .020</td> </tr> <tr> <td>1 PLACE</td> <td>± 0.50</td> <td>± .---</td> </tr> <tr> <td>0 PLACE</td> <td>±</td> <td>±</td> </tr> </table>		mm	INCH	4 PLACES	± .---	± .---	3 PLACES	± .---	± .015	2 PLACES	± 0.38	± .020	1 PLACE	± 0.50	± .---	0 PLACE	±	±	DIMENSION STYLE IN/MM DRAWN BY DATE AFG 1995/07/19 CHECKED BY DATE RJF 1995/07/19 APPROVED BY DATE FSMITH 2010/03/08 MATERIAL NO.	SCALE DESIGN UNITS METRIC THIRD ANGLE PROJECTION	TITLE 2-24 CKT VERT HDR ASSY W/PEGS REMOVED OPTION W/NO DRAIN HOLE MINI-FIT 	DOCUMENT NO. SDA-43588-**** SHEET NO. 3 OF 4
		mm	INCH																					
	4 PLACES	± .---	± .---																					
	3 PLACES	± .---	± .015																					
	2 PLACES	± 0.38	± .020																					
	1 PLACE	± 0.50	± .---																					
0 PLACE	±	±																						
DRAFT WHERE APPLICABLE MUST REMAIN WITHIN DIMENSIONS		SEE CHART	THIS DRAWING CONTAINS INFORMATION THAT IS PROPRIETARY TO MOLEX INCORPORATED AND SHOULD NOT BE USED WITHOUT WRITTEN PERMISSION																					

ITEM NO.	CKTS	MATERIAL	HOUSING TYPE	DRAIN HOLES	PEG 1	PEG 2	PLATING PER NOTE 2	TERMINAL VERSION REQUIRED AT EACH CIRCUIT LOCATION: V = VOID																								PACKAGING		
								1	2	3	4	5	6	7	8	9	10	11	12	13	14	15	16	17	18	19	20	21	22	23	24			
43588-0025	06	94V-0	DUAL ROW	NO	NONE	NONE	B	3	V	3	3	V	3	-	-	-	-	-	-	-	-	-	-	-	-	-	-	-	-	-	-	-	-	PK-5566-001
43588-0028	06	94V-0	DUAL ROW	NO	WITH	WITH	D	6	V	6	6	V	6	-	-	-	-	-	-	-	-	-	-	-	-	-	-	-	-	-	-	PK-5566-001		
43588-0029	12	94V-0	DUAL ROW	NO	WITH	REMOVED	D	6	6	6	6	6	6	6	6	6	6	6	6	6	6	-	-	-	-	-	-	-	-	-	-	-	PK-43588-002	

X = NOT TOOLED

TERMINAL TYPE	PLATING SEE NOTE 2	MATERIAL
3 = STANDARD	B	BRASS
6 = STANDARD	D	BRASS
7 = MF/BL	D	BRASS

SEE SHEET 1 DEC NO: UCP2017-1480 DRWNG:SLAFTER 2016/08/18 CHKD:JBELL 2016/08/18 APPR:FSMITH 2017/02/01 D19	QUALITY SYMBOLS 	GENERAL TOLERANCES (UNLESS SPECIFIED) <table border="1"> <tr> <th></th> <th>mm</th> <th>INCH</th> </tr> <tr> <td>4 PLACES</td> <td>± .15</td> <td>± .005</td> </tr> <tr> <td>3 PLACES</td> <td>± .10</td> <td>± .004</td> </tr> <tr> <td>2 PLACES</td> <td>± 0.38</td> <td>± .020</td> </tr> <tr> <td>1 PLACE</td> <td>± 0.50</td> <td>± .020</td> </tr> <tr> <td>0 PLACE</td> <td>±</td> <td>±</td> </tr> </table>		mm	INCH	4 PLACES	± .15	± .005	3 PLACES	± .10	± .004	2 PLACES	± 0.38	± .020	1 PLACE	± 0.50	± .020	0 PLACE	±	±	DIMENSION STYLE IN/MM DRAWN BY DATE AFG 1995/07/19 CHECKED BY DATE RJF 1995/07/19 APPROVED BY DATE FSMITH 2010/03/08	SCALE 1:1 DESIGN UNITS METRIC 	2-24 CKT VERT HDR ASSY W/PEGS REMOVED OPTION W/VO DRAIN HOLE MINI-FIT molex DOCUMENT NO. SDA-43588-****	SHEET NO. 4 OF 4
		mm	INCH																					
	4 PLACES	± .15	± .005																					
	3 PLACES	± .10	± .004																					
	2 PLACES	± 0.38	± .020																					
1 PLACE	± 0.50	± .020																						
0 PLACE	±	±																						
ANGULAR ±1/2°			SEE CHART																					
DRAFT WHERE APPLICABLE MUST REMAIN WITHIN DIMENSIONS			MATERIAL NO.																					
			SIZE	THIS DRAWING CONTAINS INFORMATION THAT IS PROPRIETARY TO MOLEX INCORPORATED AND SHOULD NOT BE USED WITHOUT WRITTEN PERMISSION																				