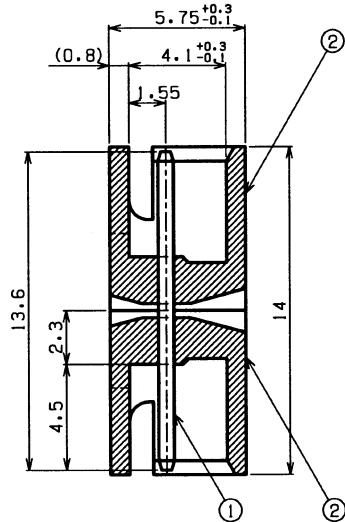
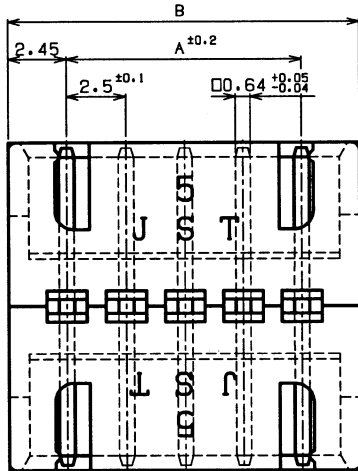
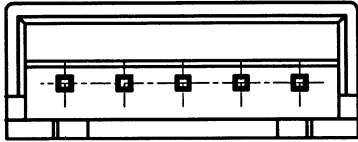


1 2 3 4 5 6 7 8

A
B
C
D
E
F

REV	DESCRIPTION	DATE	DESIGNED
△	Circuit No. is added.	OCT.27.1997	Y.KANDA
△	Drawing format change.	DEC.24.1999	M.HIRAMOTO
△	Circuit No. is added.	APR.18.2000	T.TERASHIMA



NOTE

- 1.1. Unless otherwise specified, tolerances are ± 0.3 .
2. The gap of joint part shall be 0.3 MAX.

△	Part No.	A	B
△	B2B-XH-TW	2.5	7.4
	B3B-XH-TW	5.0	9.9
	B4B-XH-TW	7.5	12.4
	B5B-XH-TW	10.0	14.9
	B6B-XH-TW	12.5	17.4
△	B7B-XH-TW	15.0	19.9
	B8B-XH-TW	17.5	22.4
△	B11B-XH-TW	25.0	29.9
△	B12B-XH-TW	27.5	32.4

2	WAFER	66NYLON		UL94V-0
1	POST	BRASS	COPPER-UNDERPLATED TIN/LEAD ALLOY-PLATED	
No.	PART NAME	MATERIAL	SURFACE FINISH	REMARKS
SIZE	UNIT	SCALE	PROJECTION	DATE
A3	METRIC	5:1		FEB. 1.1991
APPROVED	CHECKED	DESIGNED	DRAWN	CUSTOMER
T. N	S. S	T. T	M. I. T	SERIES NAME XH CONNECTOR
				PART No. B () B-XH-TW
JST J. S. T. MFG. CO., LTD				DRAWING No. KRD-12692-2
				R3

