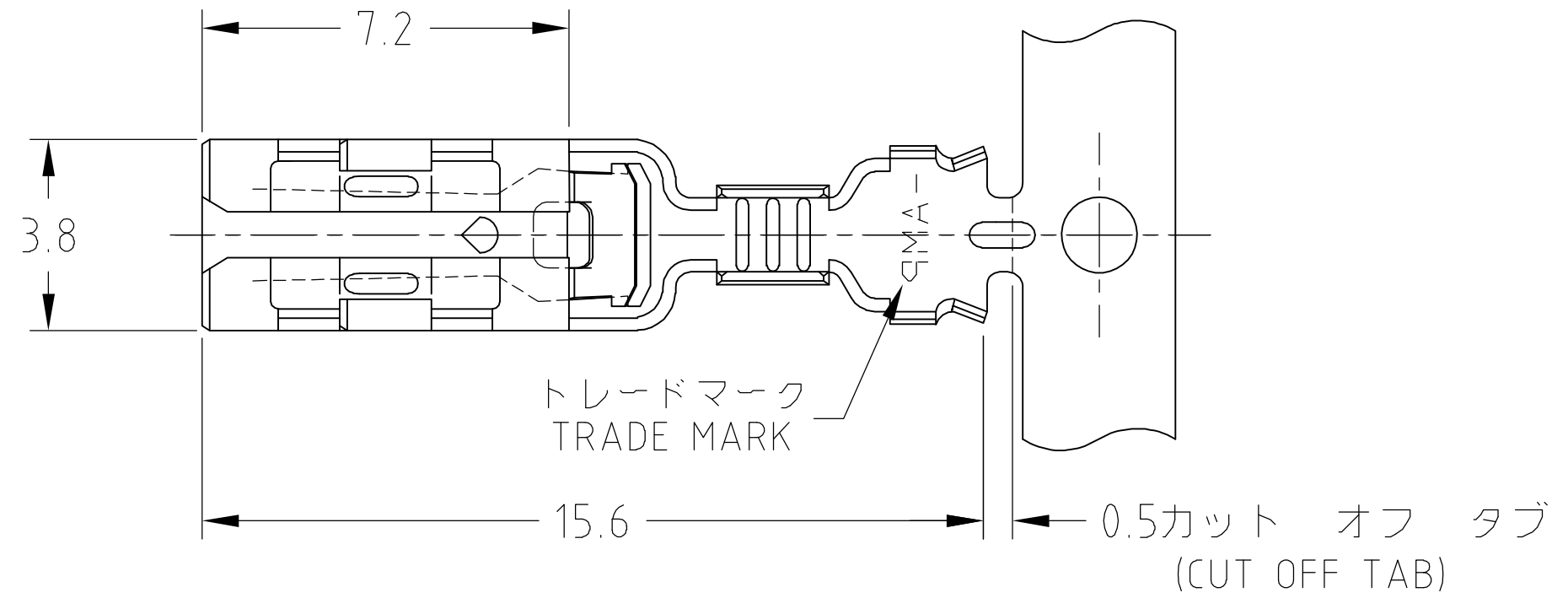
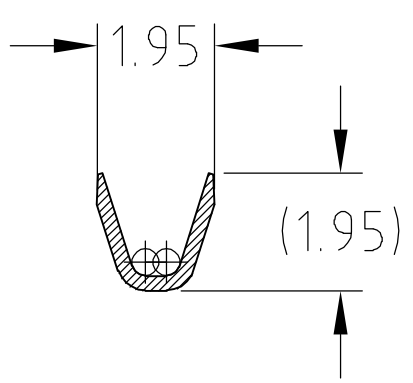
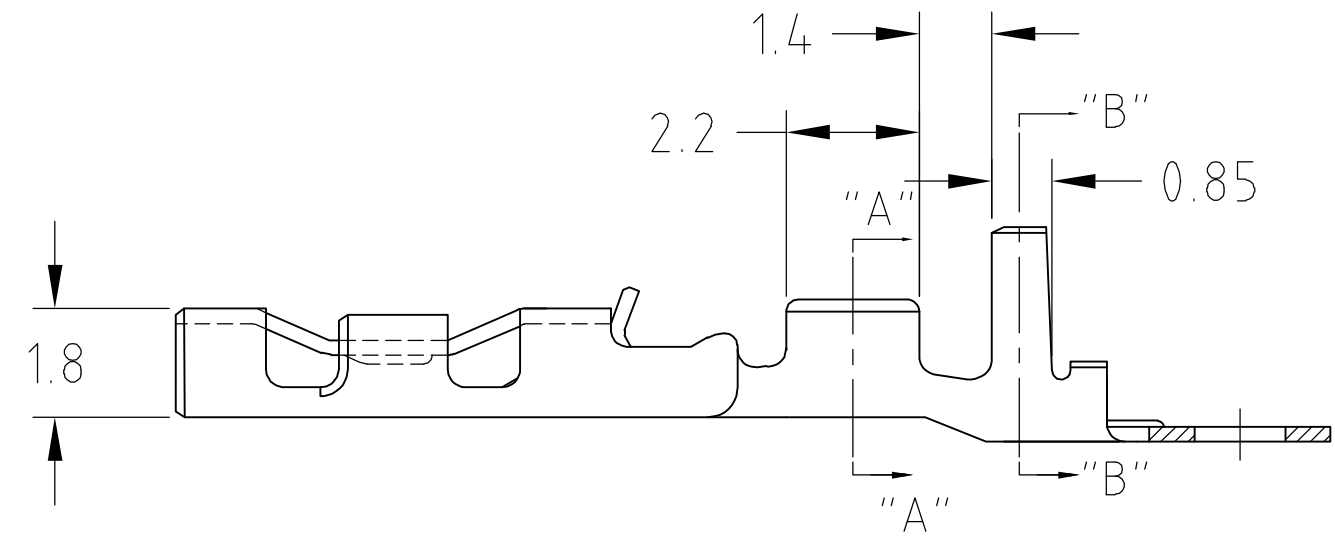
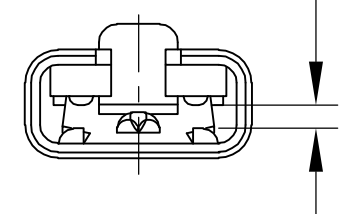


THIS DRAWING IS UNPUBLISHED. RELEASED FOR PUBLICATION
 © COPYRIGHT BY TYCO ELECTRONICS CORPORATION. ALL RIGHTS RESERVED.

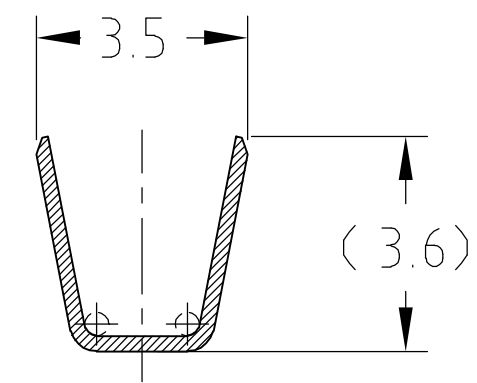
LOC	DIST	REVISIONS			DATE	DWN	APVD
J	—	P	LTR	DESCRIPTION			
		C		REDRAWN WITH CHANGE	ECR-05-006894	19JUL'05	J.S N.Y



110シリーズ・タブにカン合
 MATING FOR 110 SERIES TAB



断面 "A" - "A"
 SECT



断面 "B" - "B"
 SECT

錫めっき済・磷青銅 (PRE-TIN PHOS-BRO)	353249-2
材料 (MATERIAL)	型番 (P/N)

WIRE RANGE 抱合電線断面積 0.14~0.34mm ² (AWG#26~#22)	INSULATION DIA 被覆外径 1.3~2.0 DIA	DWN J.SATO 19JUL2005		tyco Electronics	Tyco Electronics AMP K.K. Kawasaki, Japan	
		CHK N.YAMASAKI 19JUL2005	APVD N.YAMASAKI 19JUL2005		NAME 名称 110 SERIES POSITIVE LOCK EX-III REC CONTACT(DOUBLE LOCK TYPE)	
		PRODUCT SPEC 製品規格 108-5530		SIZE A3	CAGE CODE 00779	DRAWING NO 番号 C-353249
		APPLICATION SPEC 取付適用規格 114-5229		RESTRICTED TO —		
MATERIAL 材料 SEE TABLE		FINISH 仕上		CUSTOMER DRAWING		SCALE 尺度 8:1
				SHEET 1 OF 1		REV C

THIS DRAWING IS A CONTROLLED DOCUMENT.

DIMENSIONS:
単位: 耗
mm

TOLERANCES UNLESS
OTHERWISE SPECIFIED:
一般公差
10 ≥ ± 0.2
30 ≥ >10 ± 0.25
100 > >30 ± 0.3
ANGLES ± 0.3°