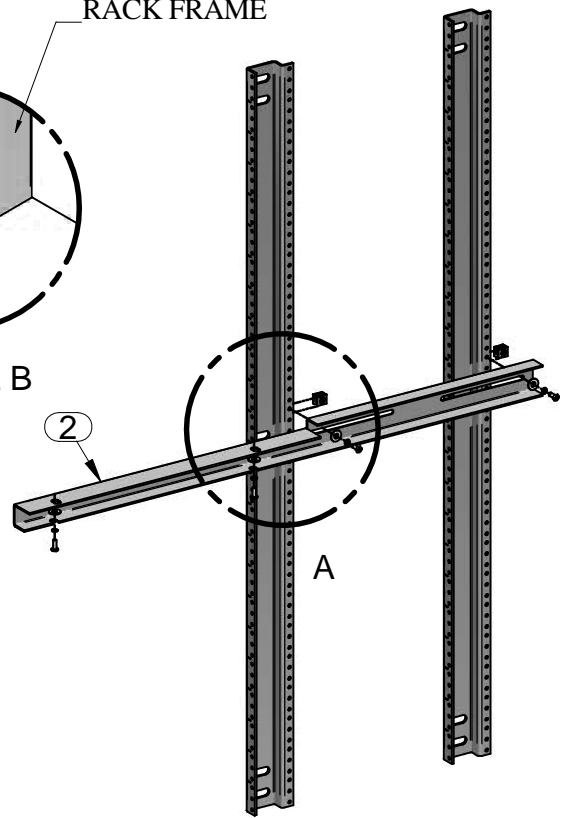
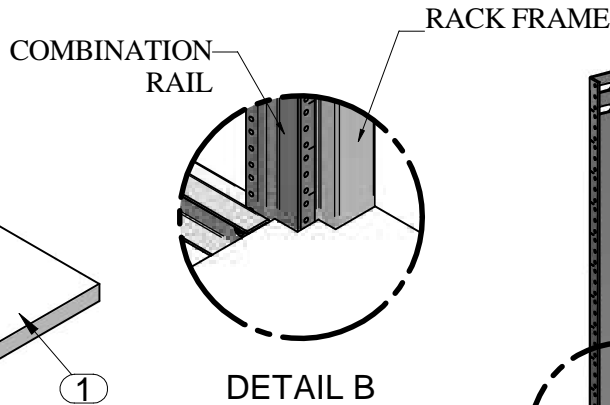
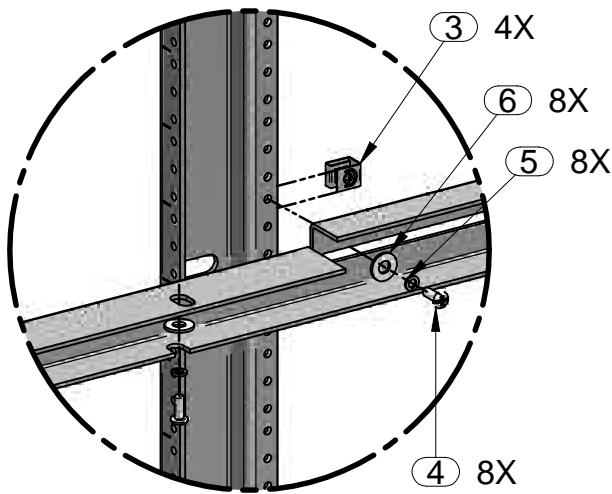


COMPLETE ASSEMBLY



BOLT AND WASHER PLACEMENT



DETAIL A

ASSEMBLY INSTRUCTIONS:

- A) Locate desired desk height on front and rear combination rails. Measure or count to same mounting hole on each rail.
- B) Fasten mounting brackets (item 2) loosely to combination rails using 10-32 screws (item 4) with flat and lock washers (items 6 & 5). Use clip nuts (item 3) if combination rails are punched. (Detail A)
- C) With mounting brackets still loose, assemble desk top (item 1) into place. Securing with 10-32 screws (item 4) with flat and lock washers (items 6 & 5) through brackets into tee-nuts on underside of desk top. (Detail A)
- D) Slide desktop and brackets into place so that desk top fits snugly against enclosure corners and tighten all mounting screws. (Detail B)

PARTS LIST		
ITEM No.	DESCRIPTION	QTY
1	LAMINATED DESK TOP	1
2	MOUNTING BRACKETS (PAIR)	1
3	10-32 CLIP NUTS	4
4	10-32 X 1/2 PANEL SCREWS	8
5	# 10 LOCK WASHERS	8
6	# 10 FLAT WASHERS	8

TOOL BOX



Phillips
Screw Driver



Tape
Measure

