

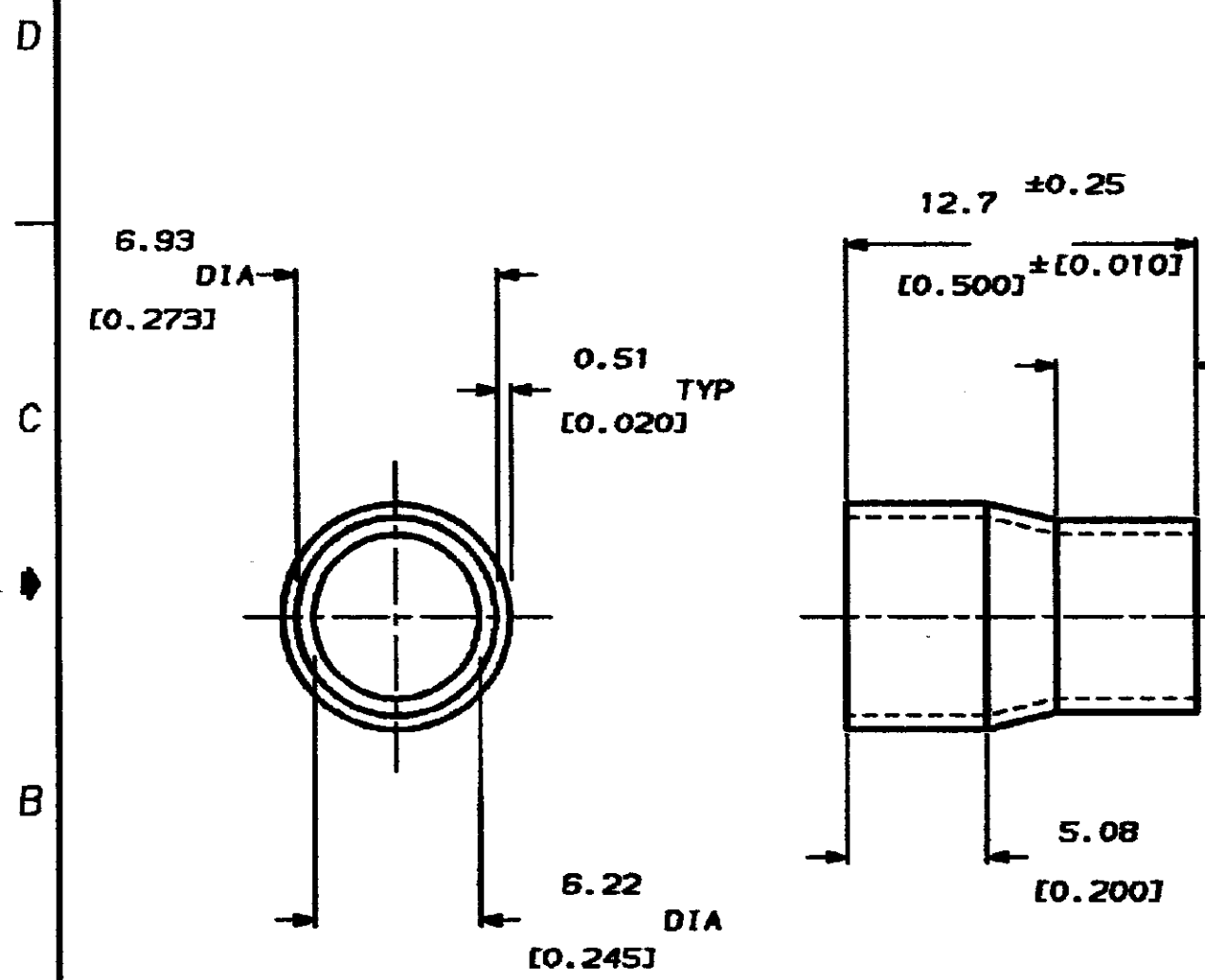
DRAWING MADE IN THIRD ANGLE PROJECTION

THIS DRAWING IS UNPUBLISHED. RELEASED FOR PUBLICATION

© COPYRIGHT 19 BY AMP INCORPORATED, HARRISBURG, PA. ALL INTERNATIONAL RIGHTS RESERVED. AMP PRODUCTS MAY BE COVERED BY U.S. AND FOREIGN PATENTS AND/OR PATENTS PENDING.

131 LOC BD DIST 50

REVISIONS						
P	F	ZONE	LTR	DESCRIPTION	DATE	APPROVED
			A	REV. PER AF0372 RELEASED PER P.A.R.	7/22/84	SS
			B	REV PER AF-4854	8-28-87	DH
	✓		C	REVISED ECN BD2908	8-25-88	/s/ -



- 1 DIMENSIONS IN BRACKETS ARE IN INCHES
- 2 INSULATION RANGE: 5.85-4.82 [0.230-0.190]

520435-1

UNLESS OTHERWISE SPECIFIED DIMENSIONS ARE IN INCHES UNLESS OTHERWISE SPECIFIED. DECIMALS ±0.005 ANGLES ±		CONTRACT NO		AMP INCORPORATED Harrisburg, Pa.	
MATERIAL COPPER		DR 5-3-84 S. SCOFFNER		NAME SDL FERRULE STYLE B (6 POSITION)	
FINISH BRIGHT TIN		CHK 5-3-84 G. WETTER			
		APPO 7-30-84 J. PRITTSKY		SIZE B	FCN NO 00779
		APPO 7-28-84 C. BRES		DRAWING NO 520435	SHEET 1 OF 1
		DESN APPO		SCALE	
		OTHER APPO		PART NO	

AMP 1470-15 REV 2-81

CUSTOMER DRAWING