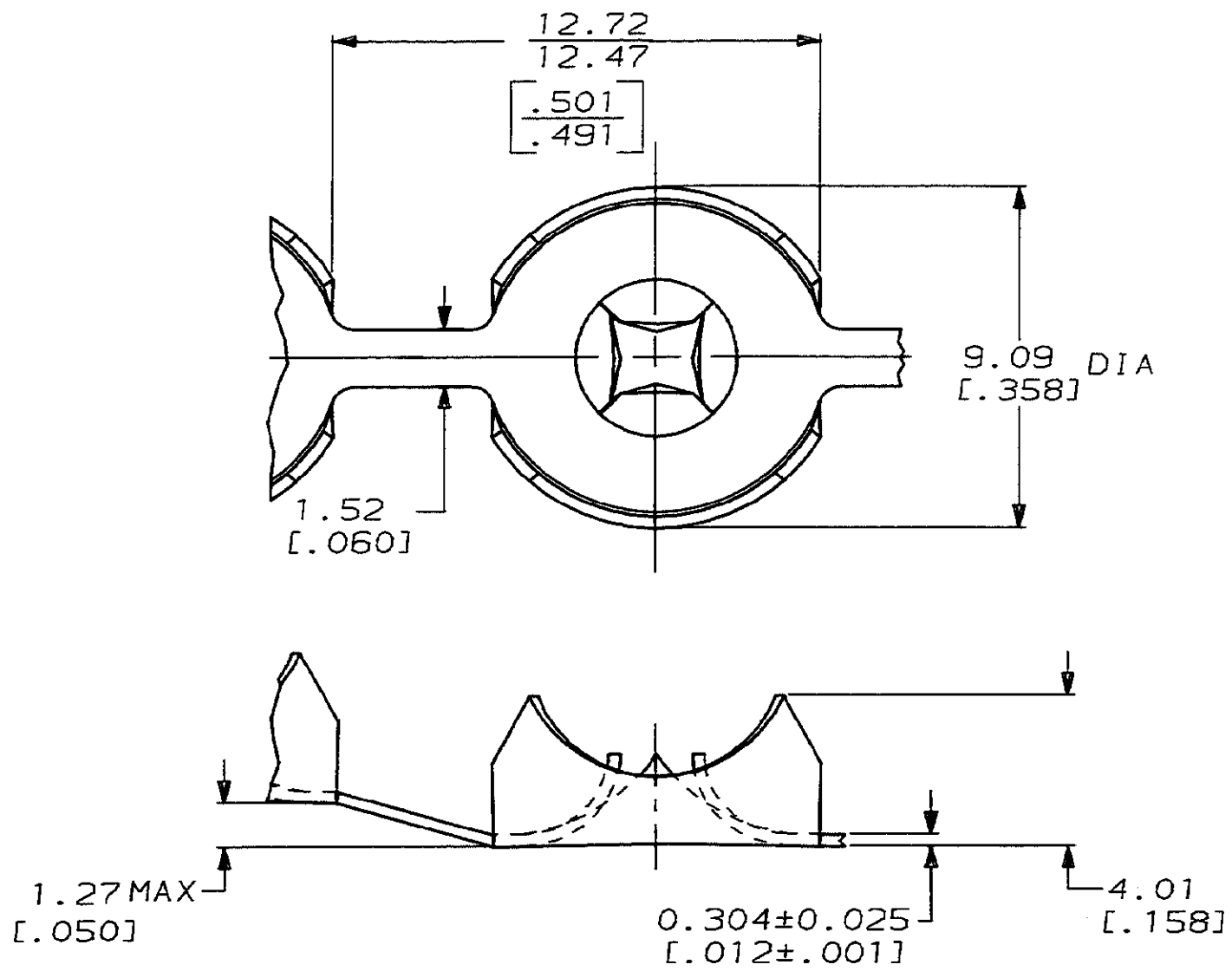
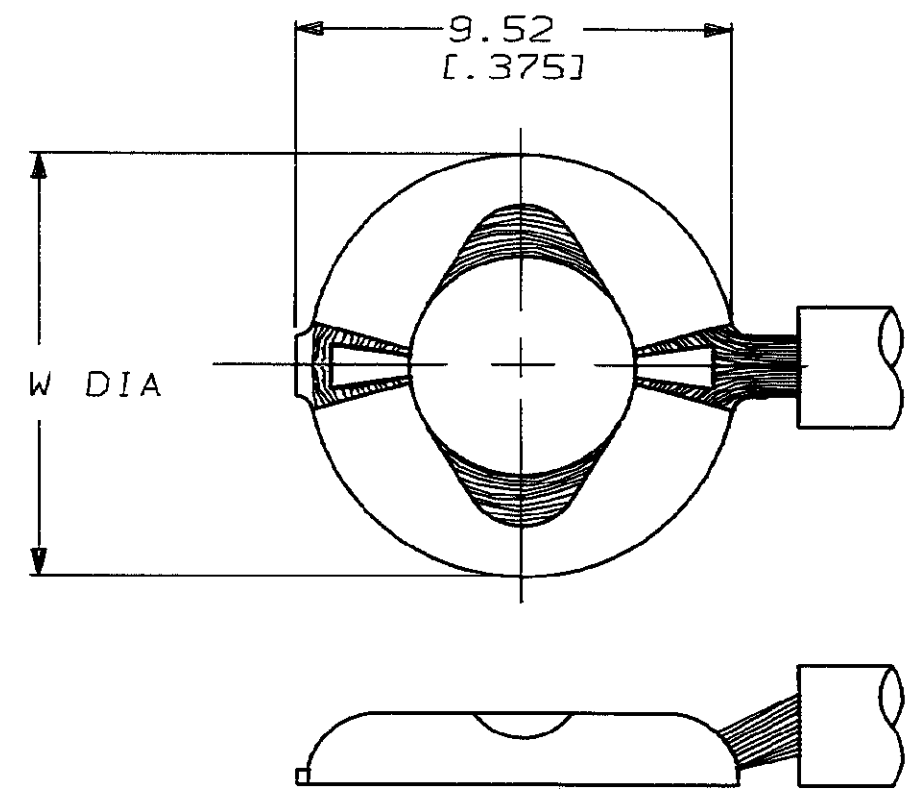


THIS DRAWING IS UNPUBLISHED. RELEASED FOR PUBLICATION, 19  
 © COPYRIGHT 19 BY AMP INCORPORATED. ALL INTERNATIONAL RIGHTS RESERVED.

LOC	DIST	P	F	ZONE	LTR	DESCRIPTION	DATE	APPD
AF	50				B	REV AND REDRAWN PER AF-6382	12/12/89	PF/MF



1 CONTINUOUS STRIP ON REELS



8.84 [.348]	4.44 [.175]	0.8mm <sup>2</sup> - 2.0mm <sup>2</sup> [18-14] AWG	40630
W	HOLE DIA ± 0.13 [.005]	WIRE SIZE	PART NO

DO NOT SCALE PRINT. UNLESS SPECIFIED DIMENSIONS IN mm [INCHES] TOLERANCES ON: 2 PLC DEC ± - 3 PLC DEC ± 0.38 [.015] ANGLES ± -	DR 1/26/90 P FORTNEY CHK 1/26/90 MS FEHER APPD 2/2/90 G YETTER APPD 2/2/90 R KUZO
MATERIAL #1 HARD BRASS OIL LUBRICATED	PRODUCT SPEC -
FINISH -	APPLICATION SPEC -
	WEIGHT -

AMP INCORPORATED Harrisburg, Pa. 17105		
NAME EYELET, CROWN CRIMP		
SIZE <b>B</b>	CAGE CODE 00779	DRAWING NO 40630
SCALE 6:1	SHEET 1 OF 1	

**METRIC**