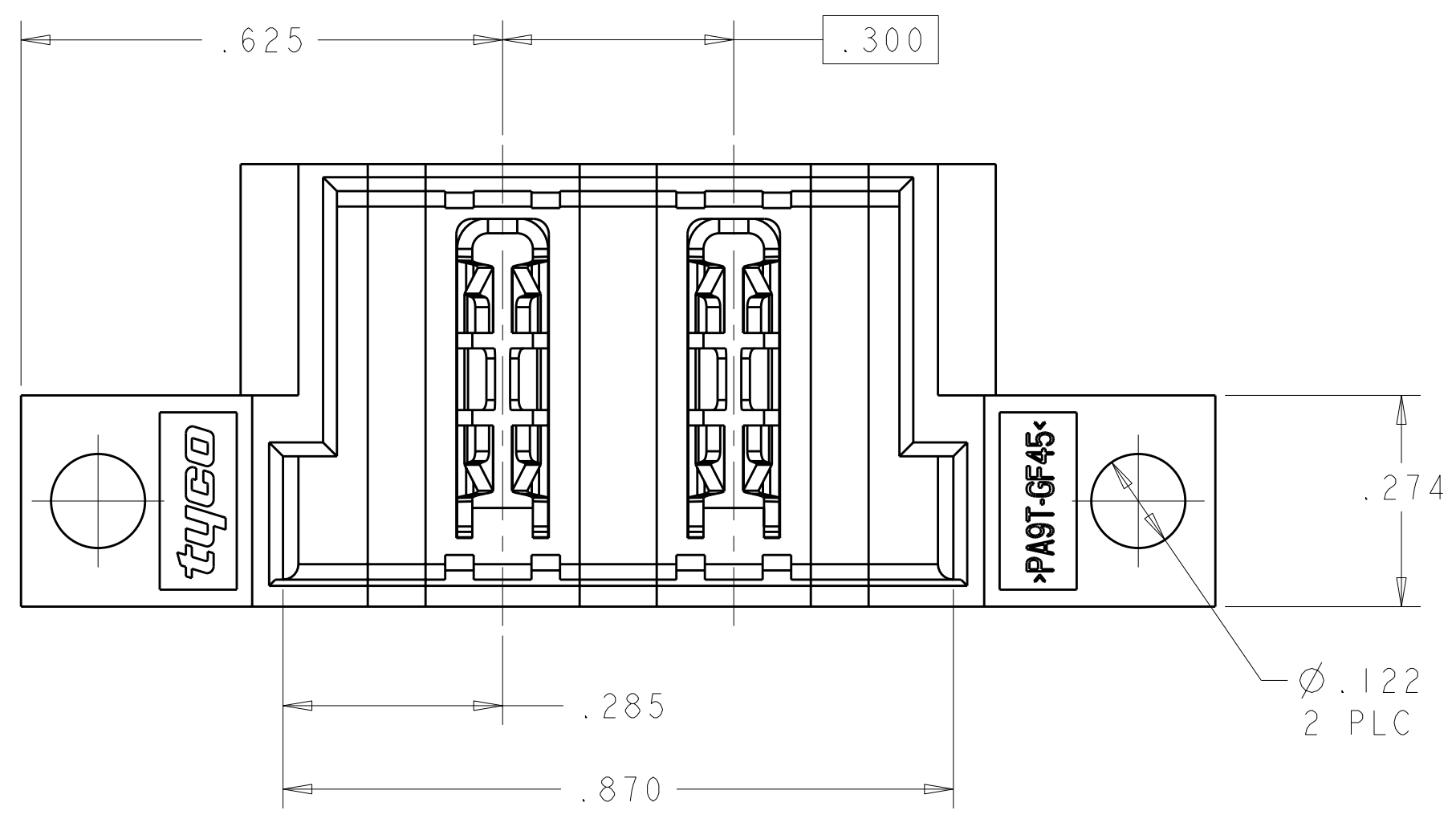
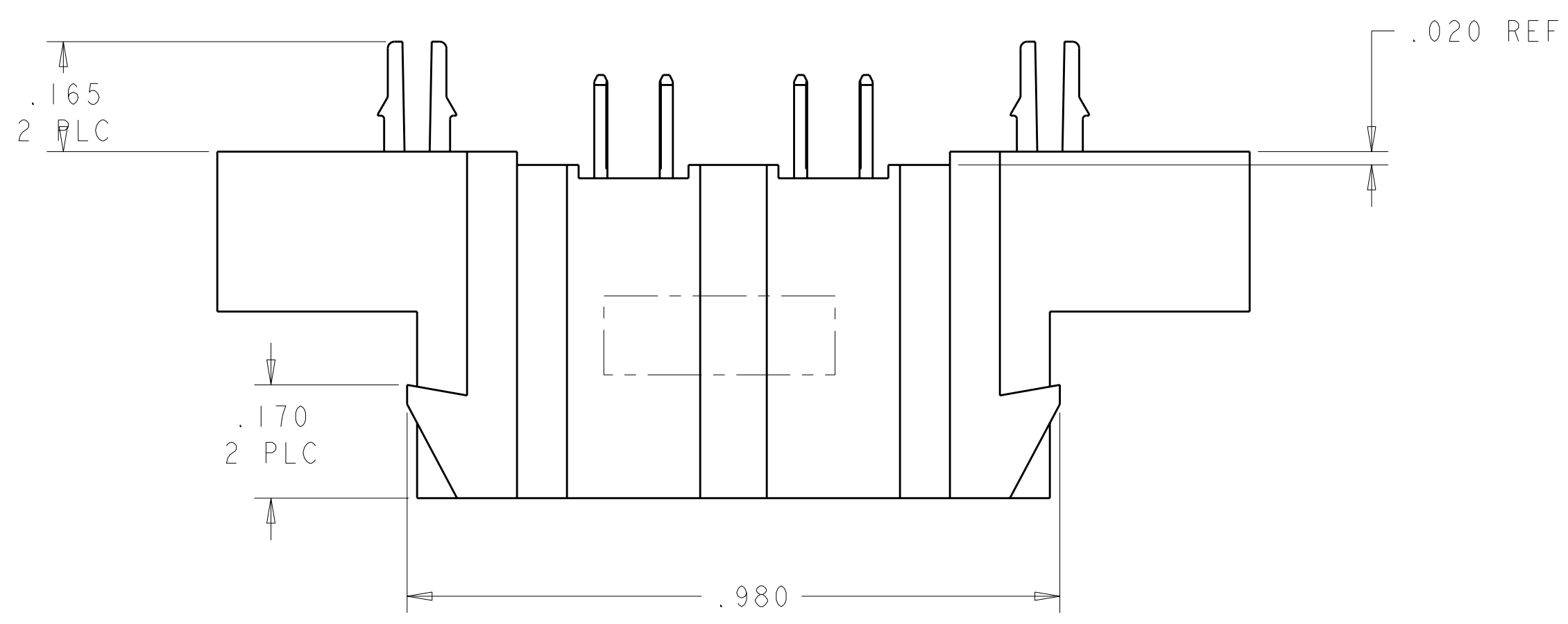
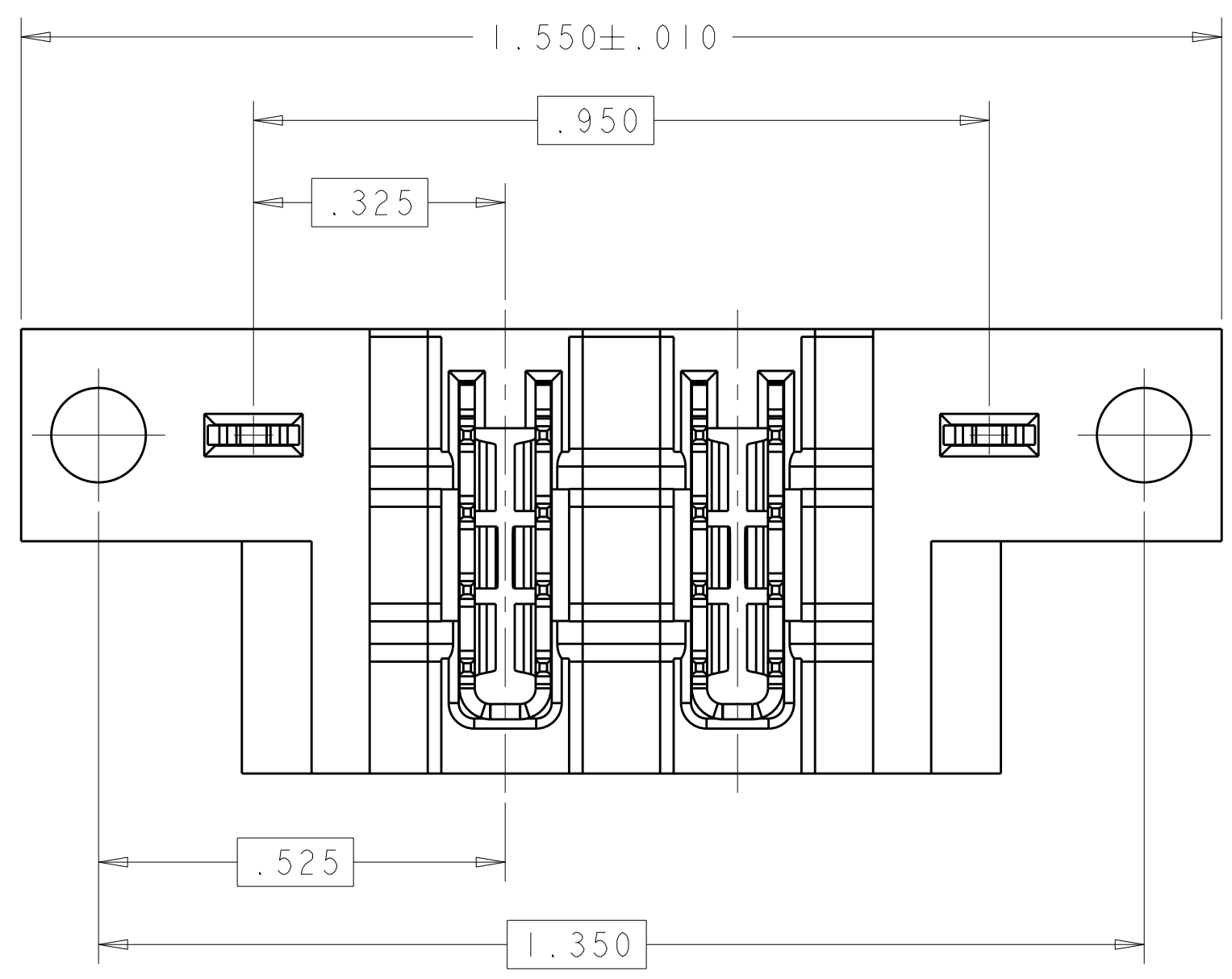
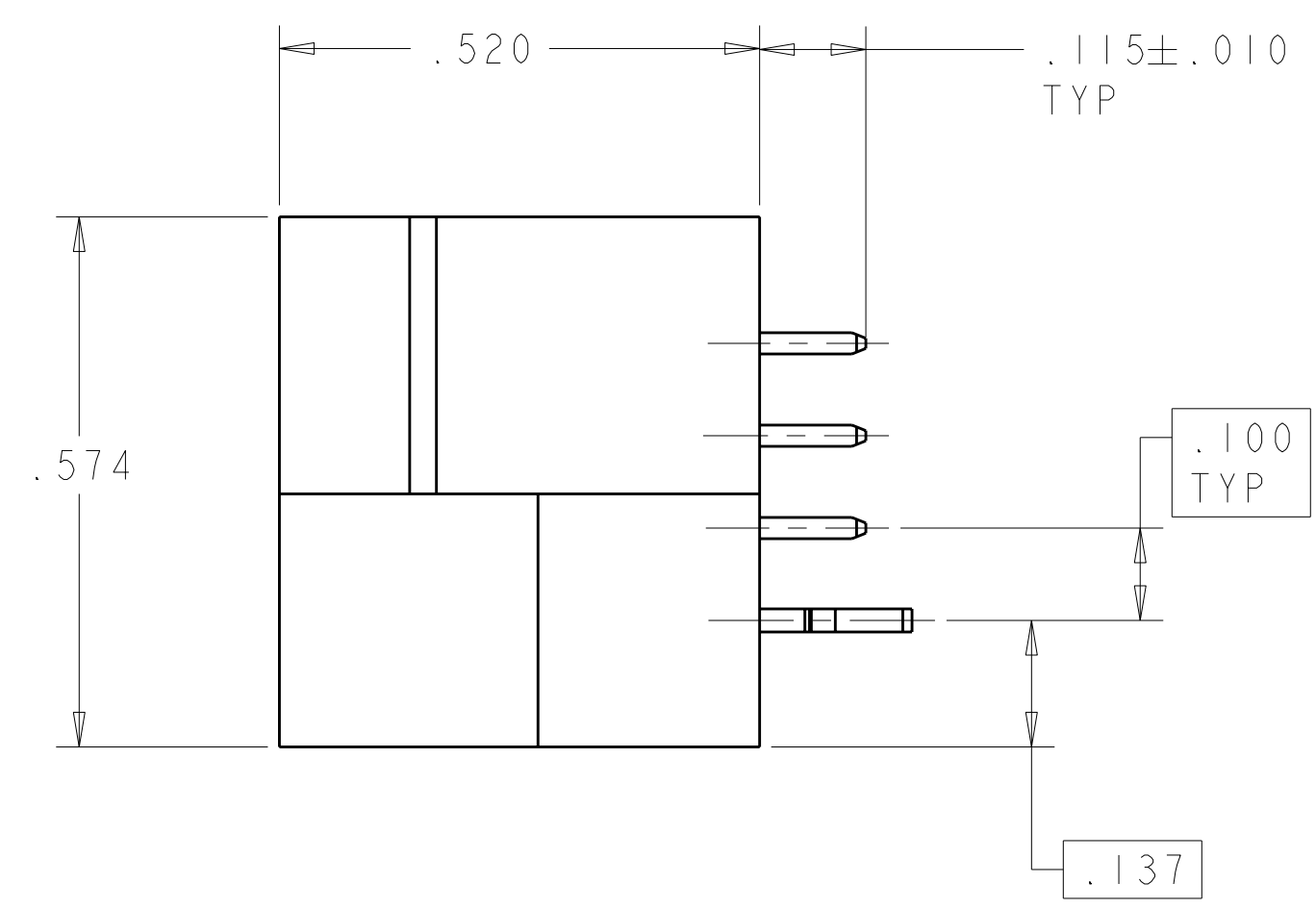


LOC	DIST	REV	DATE	BY	APPD
ES	00	2	28FEB2007	SZ	SY



- △ HEADER HOUSING: THERMO PLASTIC, BLACK, UL94 V-0; CONTACTS AND RETENTION CLIPS: COPPER ALLOY.
- △ POWER CONTACTS: .000030 MIN GOLD IN MATING AREA, .000100 MIN TIN ON POST AREAS, BOTH OVER .000050 MIN NICKEL. RETENTION CLIP: .000115 MIN TIN.
- △ "AMP", PART NUMBER AND DATE CODE MARKED IN THIS AREA. PARTS UNDER 2.50 LONG MAY BE MARKED ON BOTH SIDES.
- △ DATUM AND BASIC DIMENSIONS ESTABLISHED BY CUSTOMER.
- △ PCB - ALL HOLE DIAMETERS ARE FINISHED HOLE SIZES.
- △ MECHANICAL CONNECTOR KEEP OUT ZONE.
- △ CUSTOMER SUPPLIES (2) #4-40UNC SCREWS, HARDWARE TO BE USED TO MOUNT HEADER ASSEMBLY TO PC BOARD.

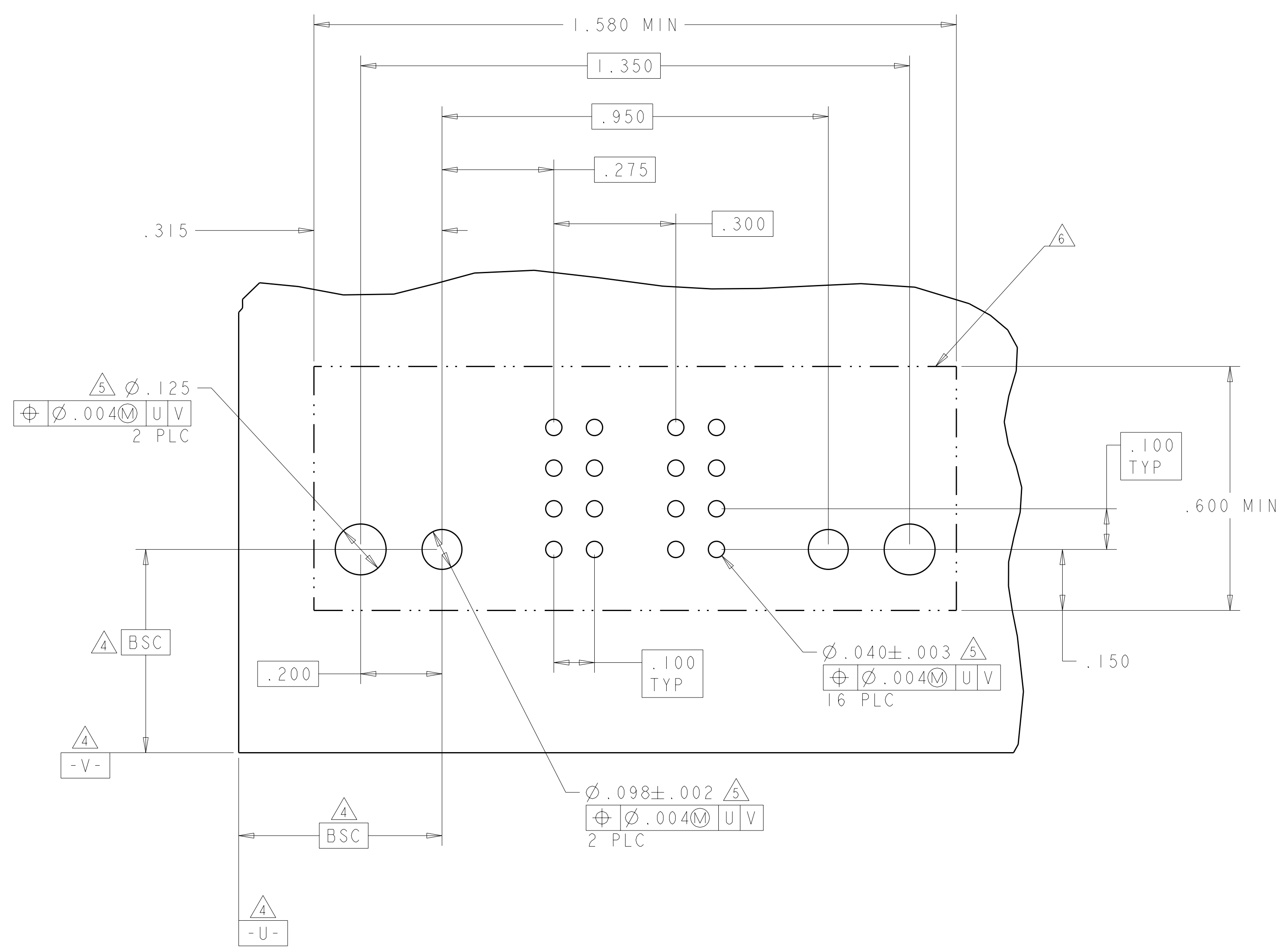


2ACP	292497-1
DESCRIPTION	PART NUMBER

DIMENSIONS: INCHES TOLERANCES UNLESS OTHERWISE SPECIFIED: 9 PLC ±. 1 PLC ±. 2 PLC ±. 3 PLC ±.005 4 PLC ±. ANGLES ±. FINISH ±.		DWN S. ZHAO 08JAN2007 CHK S. ZHAO 08JAN2007 APVD S. YAO PRODUCT SPEC 108-1973 APPLICATION SPEC 114-13038 WEIGHT CUSTOMER DRAWING	Tyco Electronics Shanghai, P.R.China, 200233 NAME: VERICAL HEADER ASSEMBLY, W/LATCH RECEIVERS, SOLDER TAIL, TYPE P, MULTI-BEAM XL SIZE CAGE CODE DRAWING NO RESTRICTED TO: A1100779C=292497 SCALE 3:1 SHEET 1 OF 2 REV 2
-------------------------------------------------------------------------------------------------------------------------------------------------------	--	----------------------------------------------------------------------------------------------------------------------------------------------------	--------------------------------------------------------------------------------------------------------------------------------------------------------------------------------------------------------------------------------------

LOC	DIST	REV	DATE	BY	APPD
ES	00				
REVISIONS			DESCRIPTION	DATE	DWN
			SEE SHEET 1		

PART NUMBER	ROWS	POWER	
		P1	P2
292497-1	D C B A	SZ	SZ
2ACP		HD	HD



MATING SEQUENCE	DESCRIPTION	IDENTIFIER
-	RETENTION CLIP	HD
-	POWER CONTACT	SZ

DIMENSIONS: INCHES 		TOLERANCES UNLESS OTHERWISE SPECIFIED: 9 PLC ± 8 PLC ± 7 PLC ± 6 PLC ±.005 5 PLC ± 4 PLC ± ANGLES ± FINISH ±		DWN S. ZHAO 08JAN2007 CHK S. ZHAO 08JAN2007 APVD S. YAO NAME VERICAL HEADER ASSEMBLY, W/LATCH RECEIVERS, SOLDER TAIL, TYPE P, MULTI-BEAM XL SIZE CAGE CODE DRAWING NO RESTRICTED TO 114-13038 A1100779C=292497 WEIGHT - CUSTOMER DRAWING SCALE 3:1 SHEET 2 OF 2 REV 2	
MATERIAL - FINISH -		Tyco Electronics Shanghai, P.R.China, 200233 PRODUCT SPEC 108-1973 APPLICATION SPEC 114-13038		Tyco Electronics Shanghai, P.R.China, 200233 NAME VERICAL HEADER ASSEMBLY, W/LATCH RECEIVERS, SOLDER TAIL, TYPE P, MULTI-BEAM XL SIZE CAGE CODE DRAWING NO RESTRICTED TO 114-13038 A1100779C=292497 WEIGHT - CUSTOMER DRAWING SCALE 3:1 SHEET 2 OF 2 REV 2	